

MPC-50A/52A/55A/57A

10.4" / 12.1" / 15" / 17"
Industrial Panel PC

Analog VGA Input

Analog VGA input with OSD function!

MPC-5X series feature a highly expandable Panel PC product line with multiple choices of display size, HDD drive bay, CD-ROM drive bay, the number of slots, and backplanes (ref. specification table). The smart design of chassis and removable HDD drive bay makes the maintenance of the whole system much easier than before. Both resistive and capacitive touch screens are provisional. The equipped analog VGA input function gives users the ease of using LCD panel without the concern of VGA card type.



MPC-52A
Support Half size SBC



OSD (ON Screen Display)
Control Keys



Removable 3.5" HDD Drive
Bay for MPC-55A/ 57A



PS/2 Type PSU

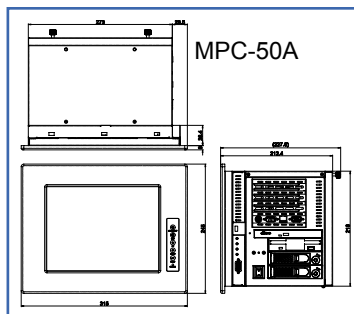
MPC-55A/57A
Support Full size SBC

SPECIFICATIONS

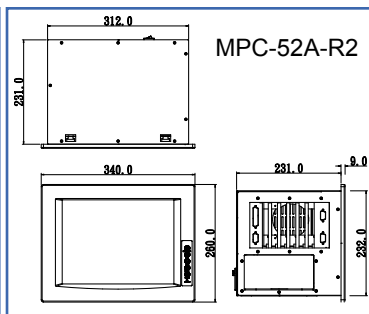
- ◆ Front panel meets IP65 standard

Products	MPC-50A	MPC-52A-R2	MPC-55A-R2	MPC-57A-R2
Front Panel	Plastic	Plastic	Aluminum	Aluminum
Display Type	10.4" TFT LCD	12.1" TFT LCD	15" TFT LCD	17" TFT LCD
Brightness	260 cd/m ²	250 cd/m ²	250 cd/m ²	260 cd/m ²
Max. Resolution	800 x 600	800 x 600	1024 x 768	1280 x 1024
HDD	2 x 3.5" internal	1 x 3.5" internal	2 x 3.5" removable for IDE	
FDD	1 x 3.5"	1 x 3.5"	1 x 3.5"	
CD-ROM	1 x slim type	1 x 5.25"	1 x slim type	
Slot	4 (for half size card only)	6 (for half size card only)	7 (Full-size card available)	
Cooling Fan	1 x 8cm ball bearing cooling fan		1 x 12cm ball bearing cooling fan	
Power Supply	ACE-816AP / 916AP		ACE-832AP	
Optional Backplane	BP-4S, IP-4S, IP-4S2, IP-4S3, IP-4SA	IP-6S, BP-6S, IP-6SA	PCI-7S, IP-7S, PCIAGP-6S(R)	

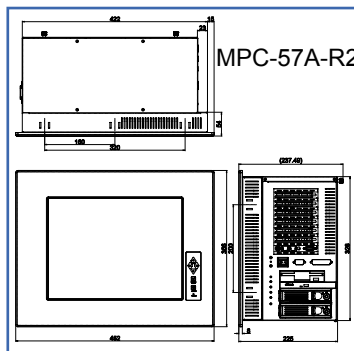
- ◆ Optional 3M resistive and capacitive type touch screen with RS-232 interface
- ◆ Operating temperature : 0°C ~ 50°C
- ◆ Vibration: 5~17Hz, 0.1" double amplitude displacement
17~640 Hz, 1.5G acceleration peak to peak
- ◆ Shock: 10G acceleration peak to peak (11ms)
- ◆ Color: White (PANTONE 413C)



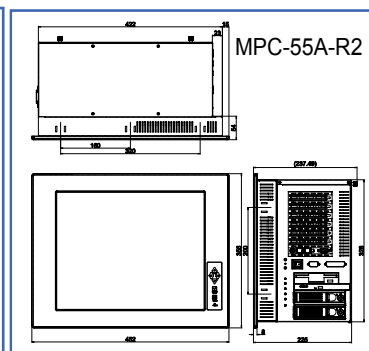
MPC-50A



MPC-52A-R2



MPC-57A-R2



MPC-55A-R2



MPC-50A

Support Half size SBC
The smart design makes maintenance a much easier job



ORDERING INFORMATION

10.4" / 12.1" / 15" / 17" TFT LCD Industrial Panel PC

MODEL	Power Supply	Touch Screen
MPC-50AW	ACE-816AP ACE-916AP	T-R104B
MPC-52AW-R2		T-R121B
MPC-55AW-AL-R2	ACE-832AP	T-R151B T-C151
MPC-57AW-AL-R2		T-R170B T-C170B