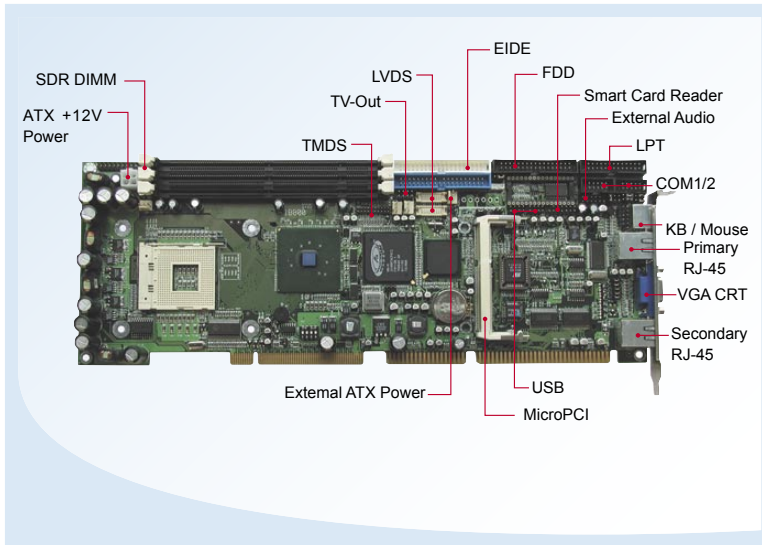


CPU Cards

IB800

Socket 478 Full-Size CPU Card w/ Intel® 845 Chipset

Pentium® 4-Based



>> Features

- Supports Pentium® 4 / Celeron® processors
Up to 2.8GHz, 400MHz FSB
- SDR DIMM x 3, Max. 3GB
- ATI Mobility M6 VGA, 8MB/16MB embedded
- ICH2 integrated 10/100 BaseT Ethernet
- 4 x USB 1.1, ISA High Drive, Watchdog timer
- DiskOnChip®, 1 x MicroPCI socket

1

System

CPU	Socket 478 for Pentium® 4 / Celeron®, up to 2.8GHz
System Memory	SDR DIMM x 3, Max. 3GB
System Chipset	Intel® 845 + ICH2, 400MHz FSB
BIOS	Award 4Mbit
Watchdog Timer	256 levels
SSD	DiskOnChip®
H/W Monitor	Yes
Expansion Slot	One MicroPCI socket

Graphics

VGA Controller	ATI Mobility M6
VGA Memory	8MB/16MB DDR embedded
LCD Interface	18/24-bit LVDS (Dual Channel) Optional TMD5

Ethernet

LAN Controller	ICH2 integrated LAN, 10/100Mbps
Connector	2 RJ-45 on board

Multi I/O

Chipset	ITE8712 2x IDE (UDMA33/66/100), 1x FDD, 1x KB, 1x Mouse, 1x RS-232, 1x RS-232/422/485, 1x LPT
USB	Pin header for 4 ports (USB 1.1)
Audio	Built-in audio + AC97 codec
Others	IrDA

Mechanical and Environmental

Dimensions	338mm x 122mm (13.31" x 4.8")
Max. Power Requirement	Pentium® 4 1.9GHz w/ 1.5GB DDR +5V: 5.3A +12V: 7.9A
Operating Temperature	0°C~60°C (32°F~140°F)
Storage Temperature	-20°C~80°C (-68°F~176°F)
Relative Humidity	10%~90% (non-condensing)

Ordering Information

IB800-8	Socket 478 Full-Size 845 CPU card w/ SDR support, ATI M6 8MB VGA and Ethernet
IB800-16C	Socket 478 Full-Size 845 CPU card w/ SDR support, ATI M6C 16MB VGA and Ethernet
ID120	Optional daughter card with audio/DVI/TV-out connector
USB2K-1	USB cable with bracket

* Remarks: Optional MicroPCI interface cards are available.

CPU Cards

Disk-Size SBCs

Motherboards

ETX & COM Express

CompactPCI

PC/104 Plus

Network Appliance

Baseboard & Backplane

MiniPCI
MicroAGP
& MicroPCI

For user's manual & datasheet download, visit www.ibase.com.tw