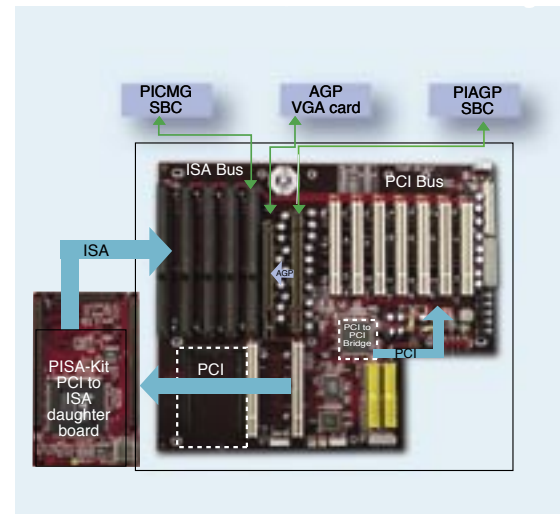


# PCIAGP / PXAGP Series Backplane Features :

- ◆ PIAGP system concept design supports PCI,ISA and AGP slot on one backplane
- ◆ 6-layer PCB designed to exceed high speed AGP signal requirements
- ◆ Selected models provide a PIAGP and PICMG slot to offer more flexibility to integrate either a traditional or SAGP series CPU board
- ◆ Optional PISA-Kit01 PCI to ISA interface module supports ISA slot function when using SAGP series CPU board.
- ◆ Mounting Holes compatible with IEI PCI/PX series backplane. No modifications necessary for current chassis backplane mounting hole position design.
- ◆ Optional IDE RAID controller (Promise PDC20267)  
Supports JBOD (spanning), RAID 0 (striping), RAID 1 (mirroring), and RAID 0/1 (striping/mirroring).  
Offers sustained data transfer under RAID 0 of up to 100MB/sec  
Supports up to two arrays with different RAID levels  
Supports Ultra ATA-100/66/33 and EIDE drives  
Supports “hot” swap of failed drive (PROMISE SuperSwap product)  
Supports “hot” spare (portable drive required) .  
Offers transparent data recovery and rebuilds drive in background  
Arrays are bootable with built-in BIOS  
Multi-boot feature allows user to select which array to boot.



(R): Stands for RAID function  
 Example: PCIAGP-4S without RAID function  
 PCIAGP-4SR with RAID function

Backplane Model	PICMG CPU Card	PCI slot	ISA slot	Optional IDE RAID	Mounting Hole Compatible Backplane
PCIAGP-4S (R)		2		YES	PCI-4S
PCIAGP-5S (R)		3		YES	PCI-5S
PCIAGP-5SD		3			PCI-5SD5
PCIAGP-6S (R)		3	2	YES	PCI-7S
PCIAGP-7S (R)		4	2	YES	PCI-8S
PCIAGP-9S2 (R)	YES	4	3	YES	PCI-10S
PCIAGP-12S	YES	4	5		PCI-12S
PCIAGP-13S2 (R)	YES	4	7	YES	PCI-13S2
PCIAGP-13S3 (R)		4	7	YES	PCI-14S3
PXAGP-7S (R)		5		YES	PX-8S
PXAGP-9S (R)	YES	6	2	YES	PX-10S
PXAGP-12S2 (R)	YES	7	3	YES	PX-14S2
PXAGP-13S (R)		7	4	YES	PX-14S5
PXAGP-13S3 (R)	YES	11		YES	PX-14S3
PXAGP-19S (R)		12	5	YES	PX-20S
PXAGP-19S2 (R)		16	2	YES	PX-20S2

\* PCIAGP-13S2(R) for PICMG slot, please contact supplier