

A6pci7504

PowerPC CPU Board

Equipped with PowerPC G4

Support PICMG 2.16

Equipped with Ethernet(2ch), RS-232C(2ch)

On-board CompactFlash available, PMC (1 slot)



PowerPC CPU Board

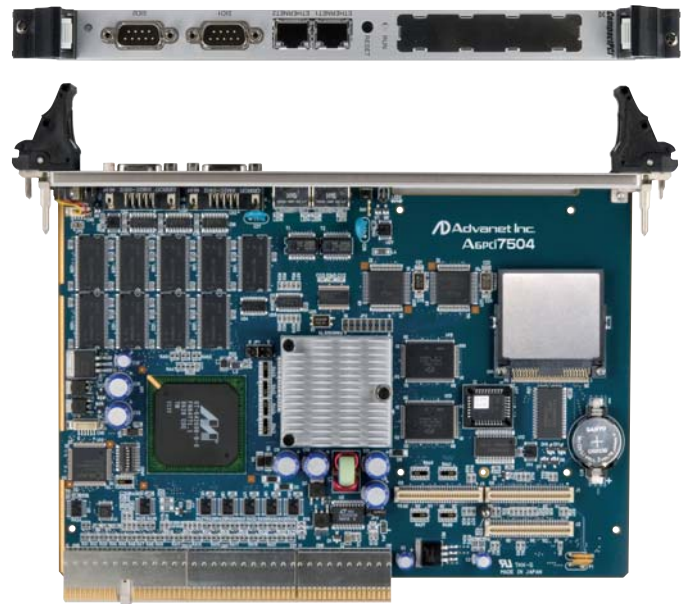
Overview

The A6pci7504 is a CompactPCI CPU board (6 U size, single slot width) equipped with a PowerPC G4 (400MHz or 500MHz) processor. It is equipped with 2MB L2 cache for high performance, and a GT-64260 system controller which enables DMA between the main memory and external bus is installed.

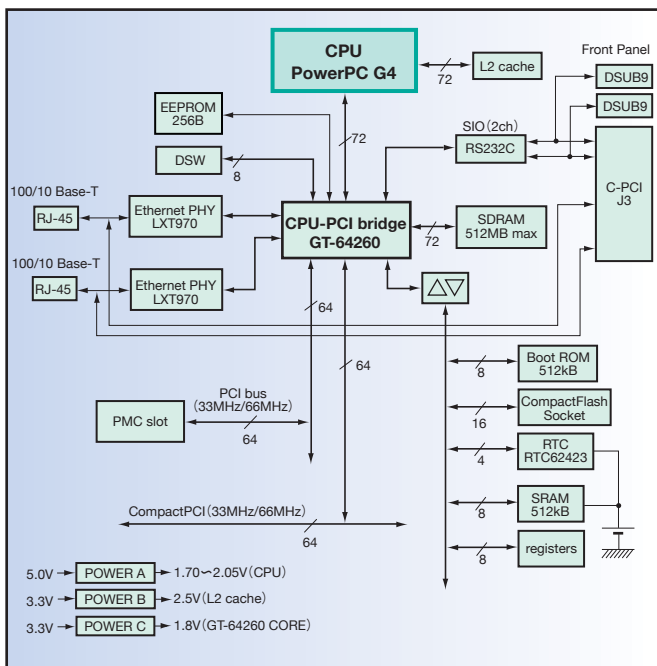
I/O interfaces include two 100/10 Base-TX Ethernet ports and two serial ports. In addition, a wide variety of memory technologies such as SDRAM (option of between 128MB and 512MB, ECC support), CompactFlash, FlashROM, SRAM, EEPROM are available for use.

A PMC slot enables easy expansion of various functions, and GT-64260 is used for the CompactPCI interface, which is an external bus.

The board supports PICMG 2.16, and packet switching backplane can be used. System slot or peripheral slot operation possible, and supports Hot Swap.



Block diagram



Specifications

CPU	Freescale MPC7410 500MHz (A6pci7504-G4 (500)) Freescale MPC7410 400MHz (A6pci7504-G4 (400))
L2 cache	2MB with parity
FSB	100MHz
Chipset	Marvell GT-64260
Main memory	128 to 512MB of SDRAM (mounting option, ECC support)
Boot ROM	512KB of Flash memory (Advanet original T4th boot loader storage)
SRAM	512KB, Battery backup
Serial EEPROM	256 Bytes
CompactFlash	Can be equipped with Type I or Type II CompactFlash Module is optional
Peripheral	100/10 Base-TX Ethernet(2ch) (PICMG 2.16 support) RS-232C(2ch), Real-time clock, Watchdog timer DMA controller, 8 timers/counters, PMC slot x 1
CompactPCI Interface	33/66 MHz 32/64 bit data bus, 3.3/5V signaling voltage
Compliance standards	PICMG 2.0 R2.1 CompactPCI Specification PCI Local Bus Specification Revision 2.2 PICMG 2.1 R1.0 CompactPCI Hot Swap Specification PICMG 2.16 R1.0 Packet Switching Backplane Specification
Power Supply	DC5.0V±5%、DC3.3V±5%
Board size	6U, single slot width, 160 mm x 233.35 mm

Please consult us regarding your specific custom requirements

