

SPECIFICATIONS

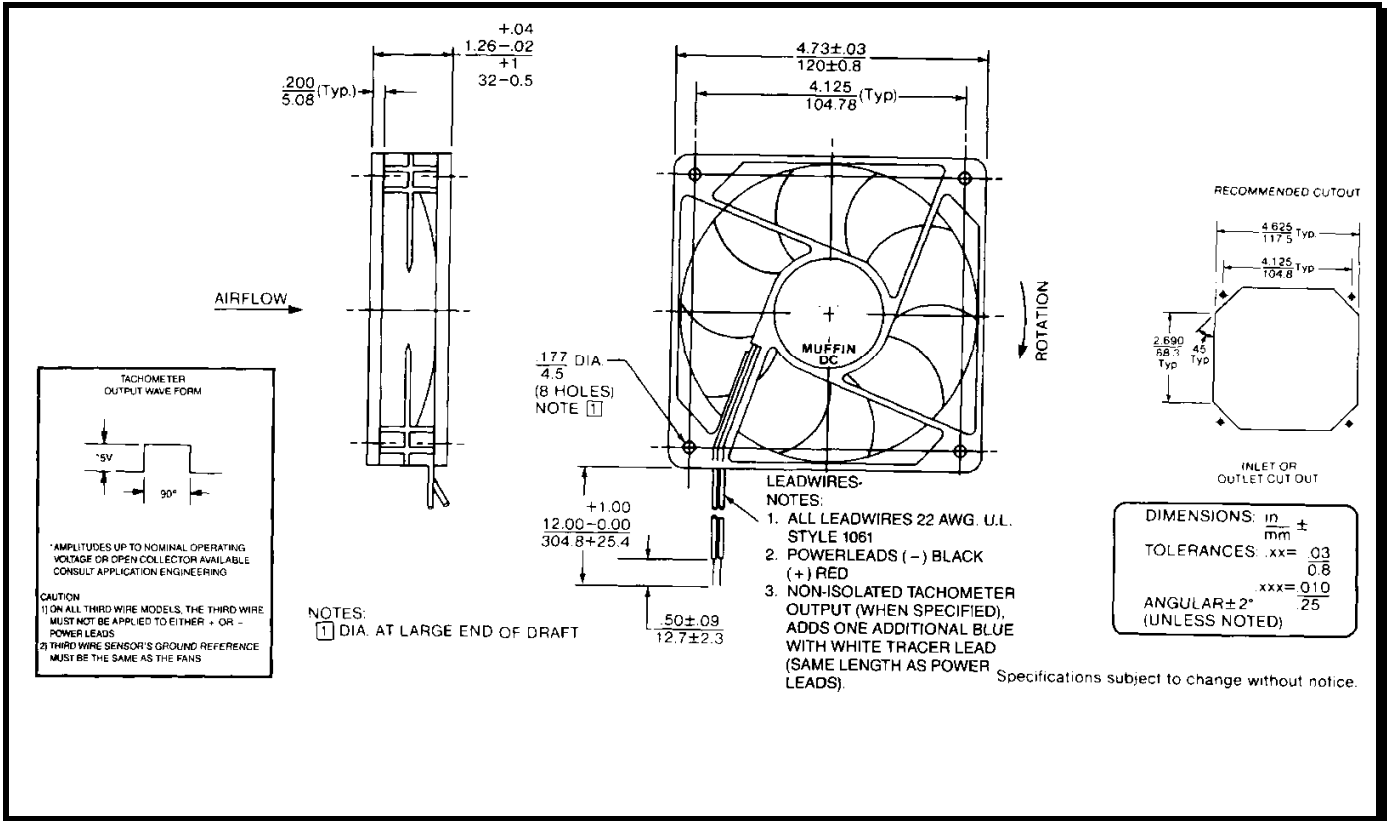
RoHS Compliant



Model Number: MC48B3

Part Number: 030573 **SPEC NUMBER:** 26014019A00 **April 19, 2004**

Mechanical Drawing:



Motor:

Nominal Voltage = 48 vdc
 Operating Voltage Range = 24 - 56 vdc
 Nominal Running Current = 0.180 amps
 Locked Rotor Current = 0.450 amps
 Running Power = 8.4 watts
 Average Speed = 3700 RPM
 Bearings = Ball
 Air Flow = 102 CFM
 Acoustic = 47.8 dBA

Construction:

Venturi: Glass filled nylon, black, UL 94V-0
 Propeller: Plastic, Black, UL 94V-0

Life Expectancy:

This fan is designed for continuous duty life of 75,000 hours at 40°C.

Additional Features:

Brushless DC Motor
 Polarity Protected
 Electronic Locked Rotor Protection
 Automatic Restart Capability
 Operating Temperature: -10°C to 70°C
 Storage Temperature: -40°C to 85°C

Termination:

12" Lead wires, 22AWG, UL 1061
 Red - Power
 Black - Return

Agency Approvals:

UL