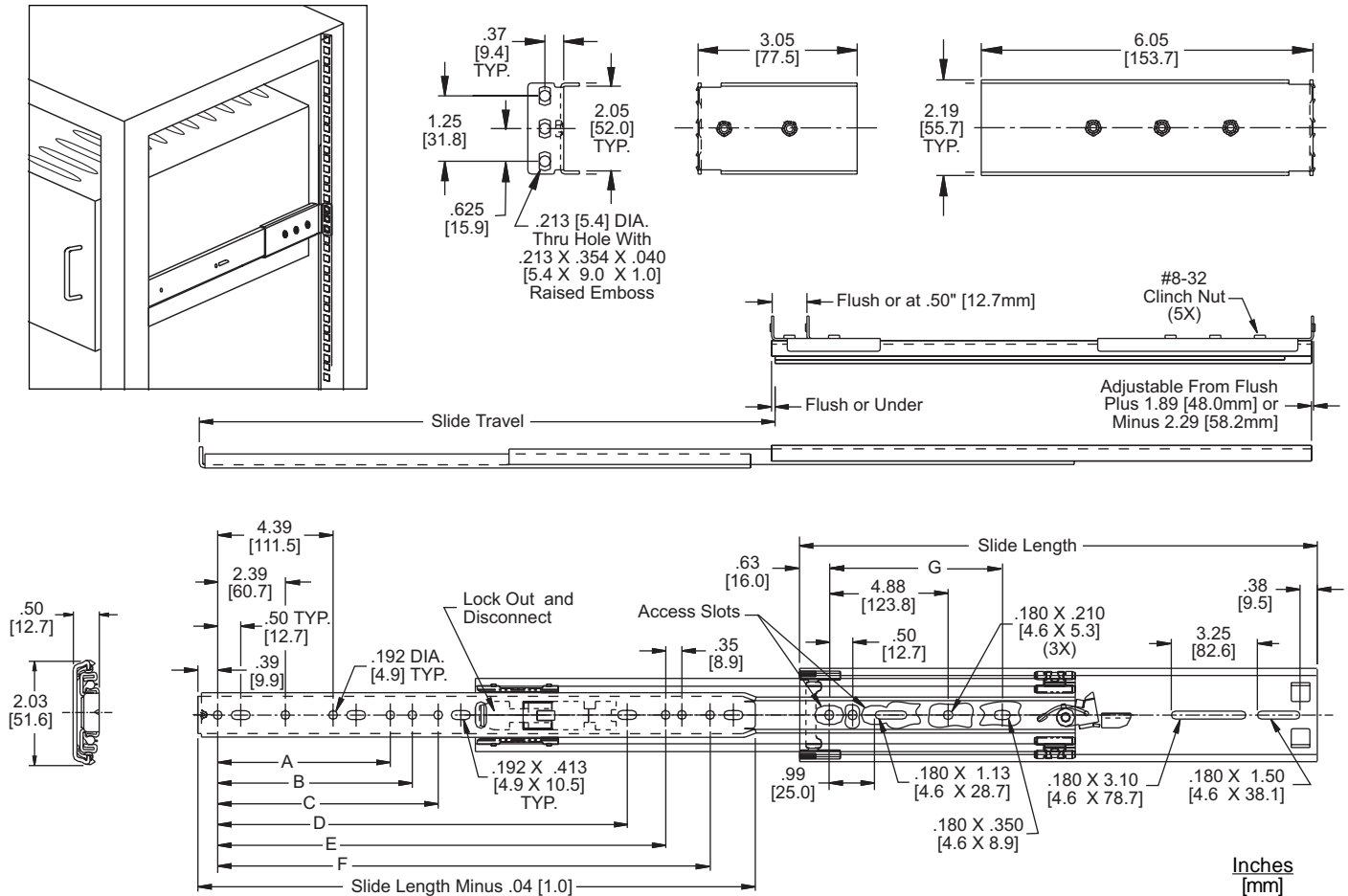


**APPLICATIONS:** For use on electronic chassis, keyboards, fan trays, and other rack-mount applications. Accommodates chassis from 4U to 8U. **This product is covered by U.S. and various foreign patents issued and/or pending.**

Electronic Enclosure, Heavy Duty  
Ball Bearing Movement  
2.00" [50.8mm] Over Travel  
200 lb.\*\* [90.8 kg.] Capacity



**Finish** Bright electro-zinc (C)  
**Length** 16" - 30" [406mm - 762mm]  
**Height** 2.03" [51.6mm]  
**Load** See chart\*\*  
**Side Space** .50" ± 0.030  $\square$  ‡  
 [12.7mm ± 0.76mm]  
**Travel** 2.00" [50.8mm] Over travel  
**Mounting** *Chassis Member*  
 #8 pan or binding head screw  
*Outer Member*  
 Adjustable front and rear  
 mounting brackets, #10-32  
 machine screw  
**Features** One-motion insertion™,  
 unhande, lock-out and  
 disconnect, guide pins

\*\* Load rating based on 16" wide chassis cycled 2,000 times.

Part Number	Slide Length	Slide Travel	Load** Rating per Pair	A	B	C	D	E	F	G
3507-16	16.00 [406]	18.00 [457]	200 lb. [90.8 kg.]					6.40 [162.6]	13.25 [336.5]	6.05 [153.7]
3507-18	18.00 [457]	20.00 [508]	200 lb. [90.8 kg.]			6.49 [164.8]			15.25 [387.3]	7.04 [178.8]
3507-20	20.00 [508]	22.00 [559]	200 lb. [90.8 kg.]		6.78 [172.1]	8.00 [203.2]			17.25 [438.1]	8.02 [203.8]
3507-22	22.00 [559]	24.00 [610]	200 lb. [90.8 kg.]			8.39 [213.0]		16.03 [407.0]	19.25 [488.9]	9.01 [228.8]
3507-24	24.00 [610]	26.00 [660]	200 lb. [90.8 kg.]	10.00 [254.0]	10.78 [273.7]			18.03 [457.8]	21.25 [539.7]	9.99 [253.8]
3507-26	26.00 [660]	28.00 [711]	200 lb. [90.8 kg.]	5.53 [140.3]	9.15 [232.4]	10.60 [269.1]		20.03 [508.6]	23.25 [590.5]	10.98 [287.7]
3507-28	28.00 [711]	30.00 [762]	200 lb. [90.8 kg.]	7.53 [191.1]	11.15 [283.2]	12.00 [304.8]	20.71 [526.0]	22.03 [559.4]	25.25 [641.4]	11.96 [303.8]
3507-30	30.00 [762]	32.00 [813]	200 lb. [90.8 kg.]		9.53 [241.9]	12.60 [319.9]	20.75 [527.1]	24.03 [610.2]	27.25 [692.1]	12.94 [328.8]

□ Brackets behind EIA rail with square holes.

‡ No lateral adjustment with EIA rails using round or tapped holes.

## Installation Instructions

- Slide chassis member (smallest) is removable. Separate slide members by pushing in the lock-in and disconnect tab. Keep slide chassis member with original outer member.
- Slide has front and rear adjustable EIA brackets. Attach front brackets to outer slide member using #8-32 machine screws by aligning access slots in intermediate member with threaded inserts in bracket. Front brackets can be mounted flush or 1/2" [12.7mm] back from front of slide based on user needs.
- Establish distance from front cabinet rail to rear cabinet rail and attach rear brackets to slide. **Do not** fully tighten rear bracket mounting screws until final adjustment is made.
- Insert removable locator pin into center hole of brackets.
- Slide will mount to various cabinet rails at various locations on side of chassis. See illustrations at right.
- Place slide into desired position and fully extend against EIA rails. Locator pins will support slide and bar nut while attaching screws.
- Attach slide to EIA rail with #10-32 screws and fasten with bar nuts. Once screws are secure, remove locator pins. **Do not** fully tighten screws until final adjustment is made.
- Mount slide chassis member (smallest) to the chassis.
- With cabinet member in the open or closed position, bring ball retainer fully forward. Install chassis by engaging the slide members and close completely. Check slide alignment by opening and closing the chassis. Any sign of binding indicates lateral stress or misalignment.
- Adjust slide position until movement is smooth. Tighten all screws and complete installation.

**NOTE:** To remove chassis, depress the lock-in/disconnect tab.

## Slide Ordering Instructions

Complete your order for Accuride Model 3507 by specifying the following. For example:

Required Slides \_\_\_\_\_ 5 Pair \_\_\_\_\_ C 3507 -18 D  
 Slide Finish \_\_\_\_\_  
 Slide Model \_\_\_\_\_  
 Slide Length \_\_\_\_\_  
 Optional Polybag Packaging \_\_\_\_\_

## Optional Mounting Bracket Kit

Optional mounting bracket kit, part number 4180-0480-XE, includes (2) front brackets, (2) rear brackets, (4) bar nuts, (4) locator pins, (8) #8-32 bracket to slide machine screws, and (8) #10-32 bracket to rail machine screws in a polybag. Kits are ordered separately. One kit needed per pair of slides.

## Packaging

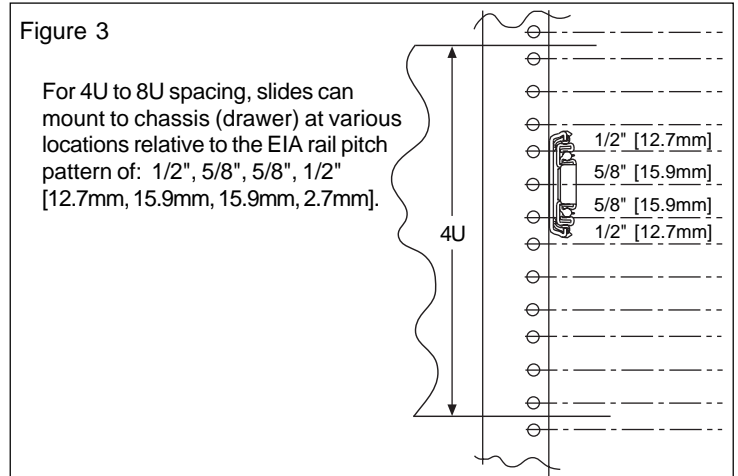
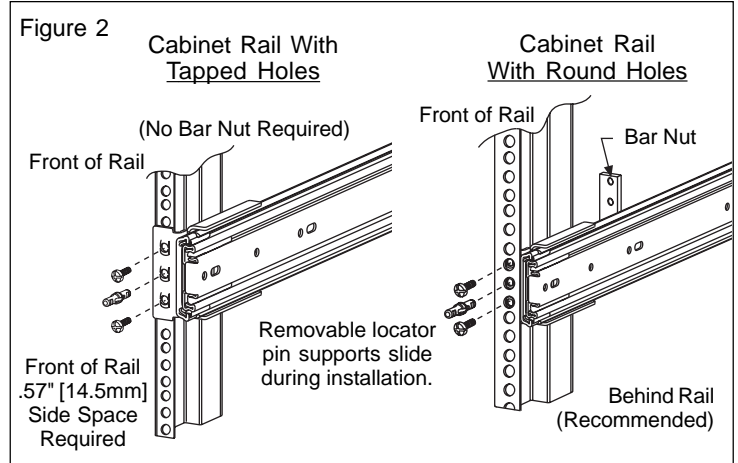
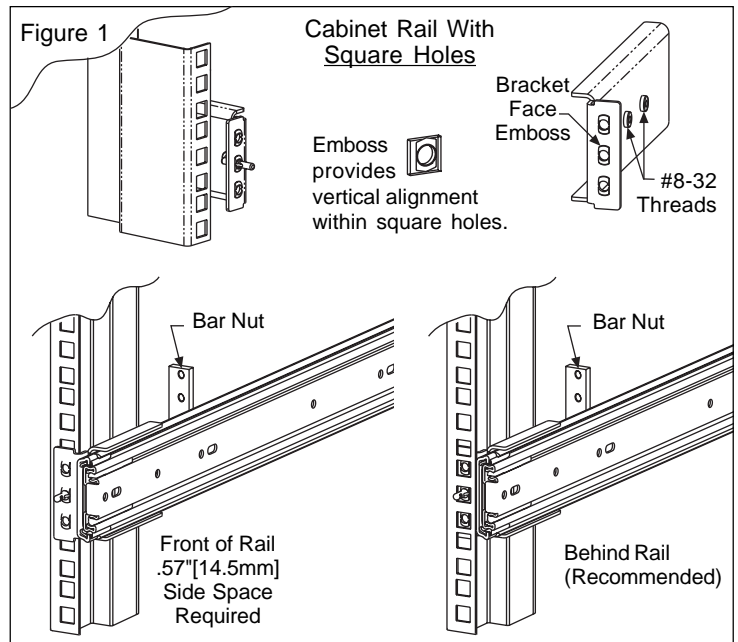
**Bulk (P) Pack:** Lengths 16" - 20" 10 pair per box  
 Lengths 22" - 28" 7 pair per box  
 Length 30" 6 pair per box

**Distributor (D) Pack:** Polybag contains 1 pair of slides, 2 front brackets, 2 rear brackets, 1 bracket-to-slide mounting hardware kit, and data sheet. All lengths are packaged 5 pair per box.

## Specifications

Slide members and component parts: Cold rolled steel  
 Ball bearings: Carburized steel

**Note:** Specifications, materials, prices, terms, and delivery are subject to change without notice.



# Accuride

ACCURIDE INTERNATIONAL INC.

12311 Shoemaker Avenue  
 Santa Fe Springs, CA 90670

TEL (562) 903-0200

FAX (562) 903-0208

www.accuride.com

Manufacturing, Engineering, and Sales

United States • Germany • Japan • Mexico • United Kingdom