

Features

- Intel® 2nd Generation Core™ i5 Mobile/ Celeron® (32nm) Processor
- Intel® QM67
- SODIMM DDR3 1066/1333, Max. 8 GB
- Gigabit Ethernet x 2
- CRT, 18/24-bit Dual-Channel LVDS LCD x 2, DVI
- 2CH HD Audio
- SATA 6.0Gb/s x 2 (Optional RAID), CFast™ x 1
- USB2.0 x 8, COM x 4, 8-bit Digital I/O
- Mini Card x 1
- +12V Only Operation
- Supports iAMT with Intel® QM67

Specifications

System	
Form Factor	3.5"
Processor	Intel® 2nd Generation Core™ i5/ Celeron® (32nm)
System Memory	204-pin DDR3 SODIMM x1, Max. 8 GB
Chipset	Intel® QM67
I/O Chipset	ITE IT8728
Ethernet	Intel® 82579LM & Realtek RTL-8111E, 10/100/1000Base-TX, RJ-45 x 2
BIOS	AMI BIOS - 8MB SPI Flash
Wake on LAN	Yes
Watchdog Timer	Generates a time-out system reset
H/W Status Monitoring	Supports power supply voltages and temperature monitoring
Expansion Interface	Mini Card x 1, LPC
Trusted Platform Module (TPM)	Infineon SLB 9635TT 1.2
Battery	Lithium battery
Power Requirement	+12V, AT/ATX
Power Consumption (Typical)	Intel® Core™ i5-2510E, DDR3 1333 4GB, 3.47A@+12V
Board Size	5.75" x 4" (146mm x 101.6mm)
Gross Weight	0.4kg
Operating Temperature	32°F ~ 140°F (0°C ~ 60°C)
Storage Temperature	-40°F ~ 176°F (-40°C ~ 80°C)
Operating Humidity	0% ~ 90% R/H, non-condensing
MTBF (Hours)	—
Display	
	Supports CRT/LCD, DVI/LCD simultaneous/ dual view displays
Chipset	Intel® QM67 integrated
Memory	Shared system memory up to 512MB
Resolutions	Up to 2048 x 1536 for CRT, Up to 1920x1200 for LCD, DVI
LCD Interface	Up to 24-bit dual-channel LVDS x 2
DVI	DVI x 1
I/O	
Storage	SATA 6.0Gb/s x 2, CFast™ x 1
Serial Port	RS-232 x 3, RS-232/422/485 (auto flow) x 1
Universal Serial Bus	USB2.0 x 8
PS/2 Port	Keyboard x 1, Mouse x 1
Digital I/O	Supports 8-bit (Programmable)
Audio	Line-in, Line-out, Mic-in



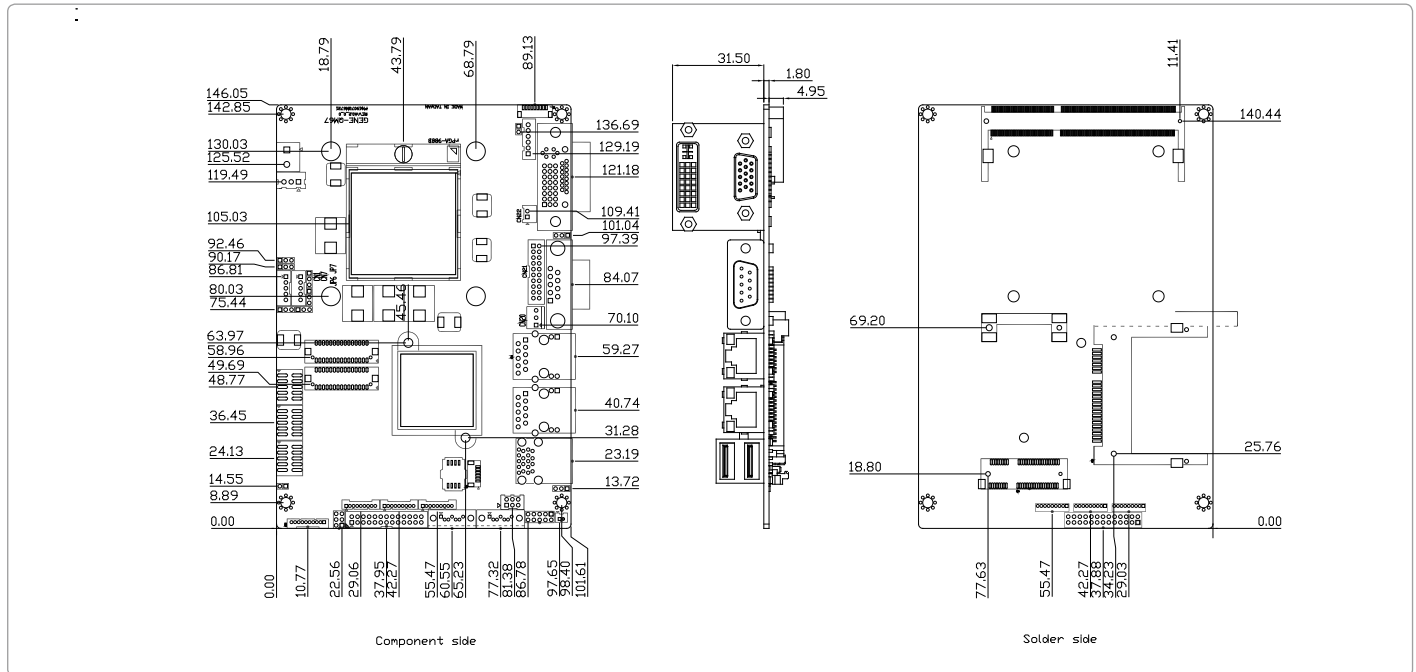
Packing List

- Cooler
- Product DVD
- GENE-QM67

GENE-QM67

Dimension

Unit: mm



Ordering Information

Part Number	CPU	Fan/ Fanless	Display	LVDS	Storage	LAN	USB	RS-232	RS-232/422/485	Expansion Slot	Power	Temp
TF-GENE-QM67-A10	Socket	FAN	CRT + LVDS CRT+DVI LVDS+DVI LVDS+LVDS	1st 18/24b, 2CH 2nd 18/24b, 2CH	SATA3 x 2, CFast™ x 1, mSATA (Optional)	GbE x 2	8	3	1	Mini Card x 1	+12V/ AT/ATX	0°C ~ 60°C

Optional Accessories

- **1709100208**
USB Cable, Length 20cm
- **1701090150**
COM Port Cable, Length 15cm
- **1709100254**
Audio Cable, Length 25cm
- **1702150155**
Power Cable for 2.5" SATA Hard Disk, Length 15cm
- **1709070500**
SATA Cable, Length 50cm
- **1702002010**
Big 4P Power Input Cable for +12V Input, Length 10cm