

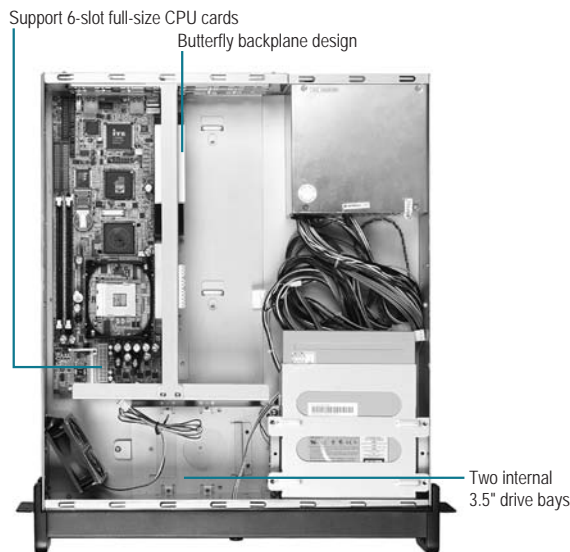
ARC-625

2U Rackmount Chassis

Industrial Computing Platform Partner



PS/2 or mini redundant power supply



Features

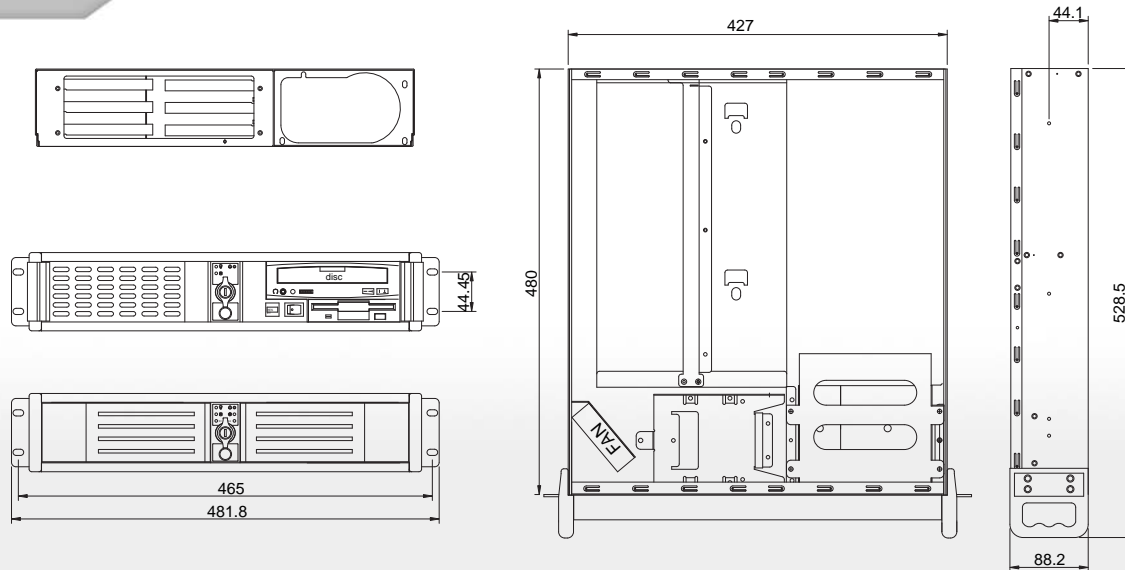
- 2U Height 19" Rackmount Chassis
- Supports 6-slot ISA/PICMG Bus Passive Backplanes
- Supports Standard PS/2 AT/ATX Power Up to 400W
- One 5.25" and One 3.5" Front Accessible Disk Drive Bays
- Two Internal 3.5" Disk Drive Bays for Hard Disks
- Keyboard Connector on Front Panel
- Dual Lockable Front Doors for Protecting the Running System

Specifications

Main Specifications	
Construction	1.2mm SECC Zinc-coated steel (Japanese Manufactured)
Storage	External: One 3.5" floppy drive One 5.25" CD-ROM or removable hard disk drive Internal: Two 3.5" hard disks
System Fan	One 8cm ball bearing fan with removable filter
Front I/O panel	Power ON/OFF Switch x 1 Reset Button x 1 Power ON LED x 1 Hard Disk Drive Active LED x 1 LAN LED x1 Keyboard x 1
Rear I/O panel	No
Color	Black
Dimensions	19" (W) x 20.8" (D) x 3.5" (H) (483mm x 528mm x 88mm)
Carton Size	21.6" (W) x 27" (D) x 8.8" (H) (548mm x 685mm x 224mm)
Net Weight	22lbs (10kg)
Gross Weight	26.43lbs (12kg)
Environmental	
Operating Temperature	32°F ~ 113°F (0°C ~ 50°C)
Storage Temperature	-4°F ~ 158°F (-20°C ~ 80°C)
Operating Humidity	10 ~ 90%
Storage Humidity	10 ~ 90% @ 40°C, non-condensing
Vibration	0.5G / 5 ~ 500Hz / operation (2.5" Hard Disk Drive) 1.5G / 5 ~ 500Hz / no operation
Shock	15G peak acceleration (11 m sec. duration), operation 30G peak acceleration (11 m sec. duration), non operation
EMC	CE/FCC Class A

Dimension

Unit: mm



Power Supply Options

Model Name	Description	Size
PW-P250-S-01	SPS 115/230V 250W AT PS2 Non-Power Factor Correcting	PS/2
PW-X250-S-00	SPS 115/230V 250W ATX PS2 Non-Power Factor Correcting	PS/2
PW-S250-S-00	SPS 115/230V 250W ATX PS2 Passive Power Factor Correcting	PS/2
PW-S300-S-00	SPS 115/230V 300W ATX PS2 Passive Power Factor Correcting	PS/2
PW-Z300-A-00	SPS 115/230V 300W ATX PS2 Active Power Factor Correcting	PS/2

Backplane Options

Model Name	Backplane Type	Slots						Power Connector	Configuration Standard
		Total	Master Slot	PCI	ISA	AGP	System		
BP-206VG-P4-A11-01	PICMG	6	1	4	0	0	Single	ATX, AT	PICMG
BP-206VG-P2-A10-01	PICMG	6	1	2	3	0	Single	ATX, AT	PICMG

Full-size CPU Card Options

CPU Card	CPU Level
SBC-860	Socket 478 P4/Celeron (.18 μ / .13 μ) up to 3.06GHz (400/533)
SBC-780	Socket 370 PIII/Celeron (.18 μ / .13 μ) up to 1.4GHz (66/100/133)
SBC-676	Socket 370 PIII/Celeron (.18 μ / .13 μ) up to 1.0GHz (66/100)
FSB-865G	Socket 478 P4/Celeron (.18 μ / .13 μ) up to 3.2GHz (400/533/800)
FSB-860B	Socket 478 P4/Celeron (.18 μ / .13 μ) up to 3.06GHz (400/533)

Ordering Information

Model Name	Description
ARC-625-B	2U Industrial Bare Chassis. for 6-slot Backplane &. PS2 Power. PS_SW(ATX), Color: Black
ARC-625V4-S25-B	ARC-625-B 2U Chassis.W/BP-206VG-P4, W/250W Passive ATX, Color: Black
ARC-625V4-860-S25-B	ARC-625-B 2U Chassis.W/SBC-860, W/ BP-206VG-P4, W/250W passive Power Factor Correcting ATX, Color: Black

- 1 Full-size SBC
- 2 Half-size SBC
- 3 Embedded Motherboards
- 4 Mini PCI Modules
- 5 Industrial backplanes
- 6 Industrial Chassis
- 7 Sun-readable LCD Monitors
- 8 Accessories