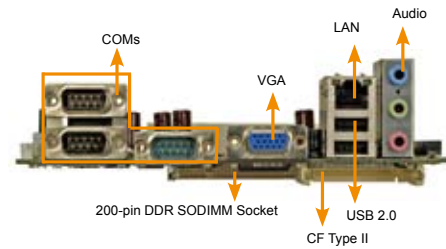
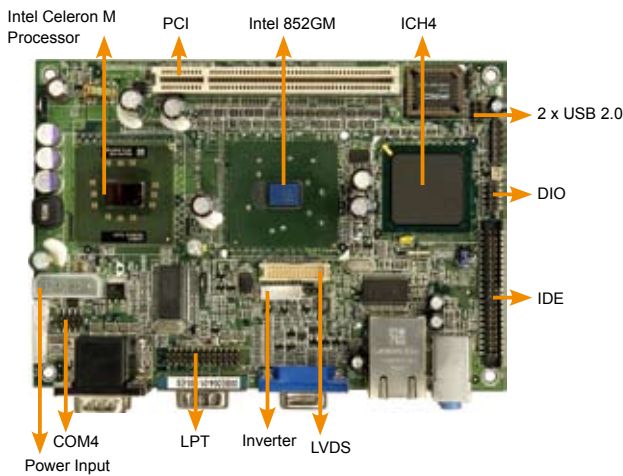


Enano-8523

ULV Intel® Celeron® M 1GHz Zero Cache with COM Ports, USB 2.0



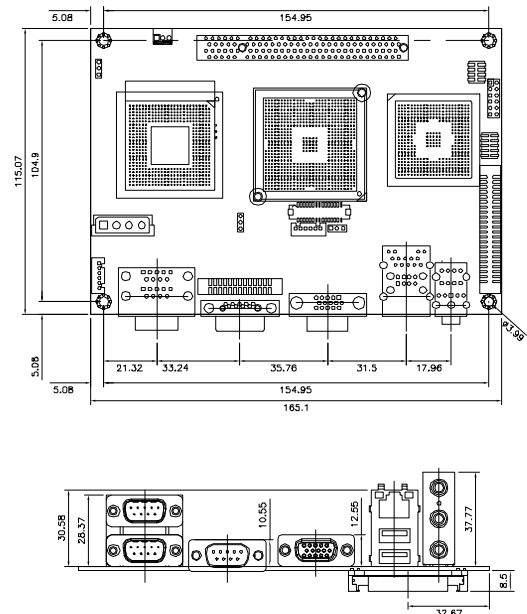
Specifications

- ◆ CPU
Socket 479 Intel® Pentium® M, Celeron® M processor with a 533/400MHz FSB
On board Intel® Celeron® M 600MHz 512KB or 1GHz zero cache processor
- ◆ System Chipsets
Intel® 852GM + ICH4
- ◆ BIOS
AMI BIOS
- ◆ System Memory
One 200-pin 266/200MHz DDR SDRAM SO-DIMM supported (system max. 1GB)
- ◆ Ethernet
10/100Mbps Intel® 82562ET Ethernet chipset
- ◆ I/O Interface
4 x USB 2.0
1 x LPT
1 x CF Type II
4 x RS-232
1 x PS/2 for KB/MS
1 x IDE
- ◆ Expansions
1 x PCI
- ◆ Super I/O
ITE IT8712F
- ◆ Audio
AC'97 Codec Realtek ALC655
- ◆ Display Interface
VGA integrated in Intel® 852GM
18-bit LCD dual-channel integrated in Intel® 852GM
Support independent dual display
- ◆ Watchdog Timer
Software programmable supports 1-255 sec. system reset
- ◆ Power Supply
ATX power only
- ◆ Power Consumption
5V@3.66A
(ULV Intel® Celeron® M 600MHz 512KB Cache with DDR266MHz, 256MB RAM)
- ◆ Temperature
Operating: 0°C ~ 60°C (32 ~ 140° F)
- ◆ Humidity
Operating: 5% ~ 95%, non-condensing
- ◆ Dimensions
115 mm x 165 mm
- ◆ Weight: GW: 1100 g;+ NW: 950 g

Packing List

- 1 x Enano-8523 Single Board Computer
- 1 x KB/MS Y Cable (P/N: 32000-023800-RS)
- 1 x IDE Flat Cable 44p/44p (P/N: 32200-000009-RS)
- 1 x Mini Jumper Pack
- 1 x Utility CD
- 1 x QIG (Quick Installation Guide)

Dimensions (mm)



Ordering Information

Part No.	Description
Enano-8523-1GZ-R10	EPIC SBC with ULV Intel® Celeron® M 1GHz Zero Cache CPU, VGA/LVDS, LAN, USB 2.0, Audio and COM
Enano-8523-600-R10	EPIC SBC with Intel® Celeron® M 600MHz 512K Cache CPU, VGA/LVDS, LAN, USB 2.0, Audio and COM.
32000-070300-RS	USB cable
32200-015100-RS	LPT Cable
32100-052100-RS	ATX Power Cable
32200-000049-RS	RS-232 Cable

1

Application
Server
Platform

2

Single
Board
Computer

3

IBX Series
POS PC

4

AFOLUX
POS
Panel PC

5

Video
Capture
Card

6

KAMIO
RISC

7

IOVU
Open HMI

8

VITO
Universal
Controller

9

DINO
BLADE

10

LCD
Product
Series

11

Embedded
System

12

Industrial
Computer
Chassis

13

Power
Supply

14

Peripherals