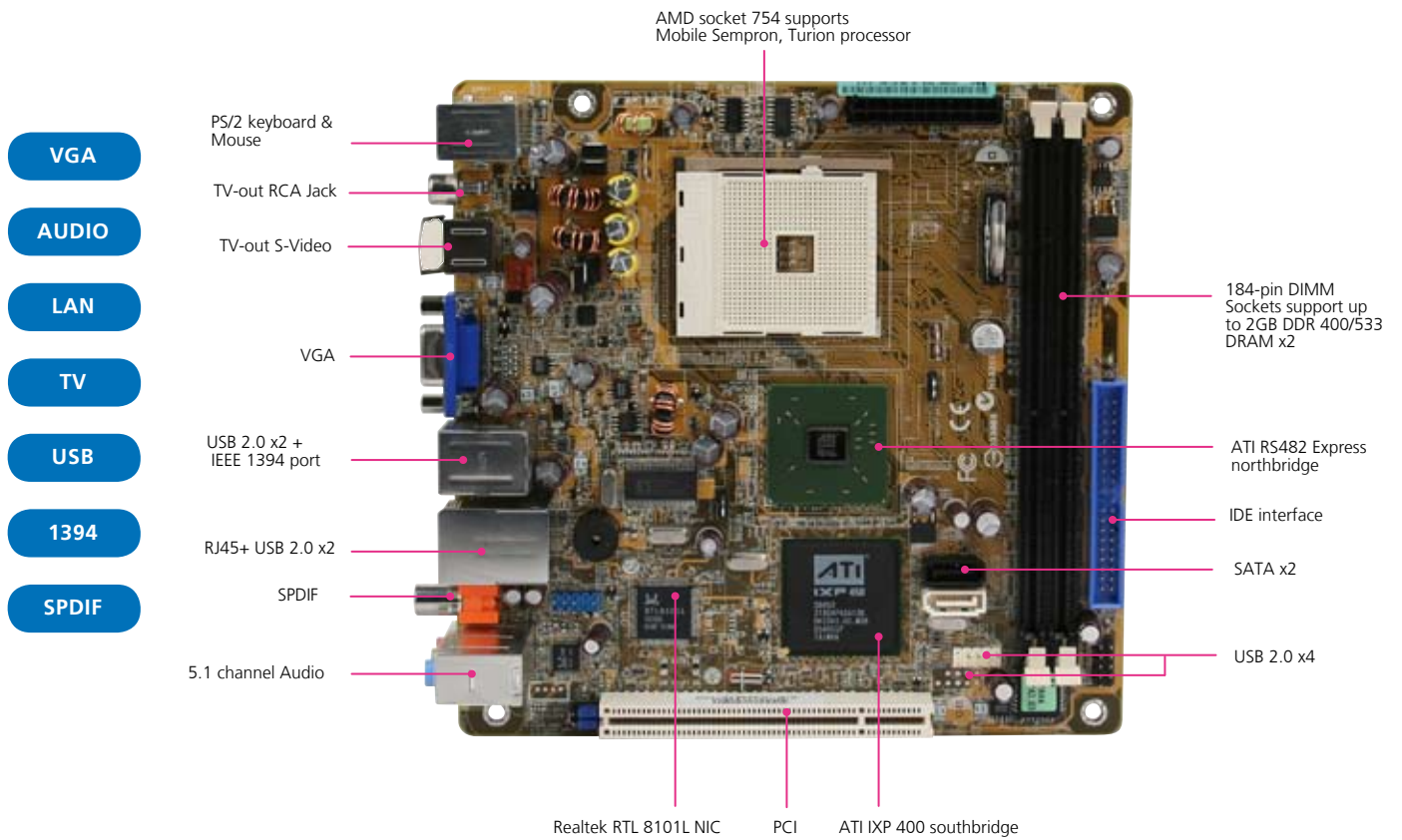


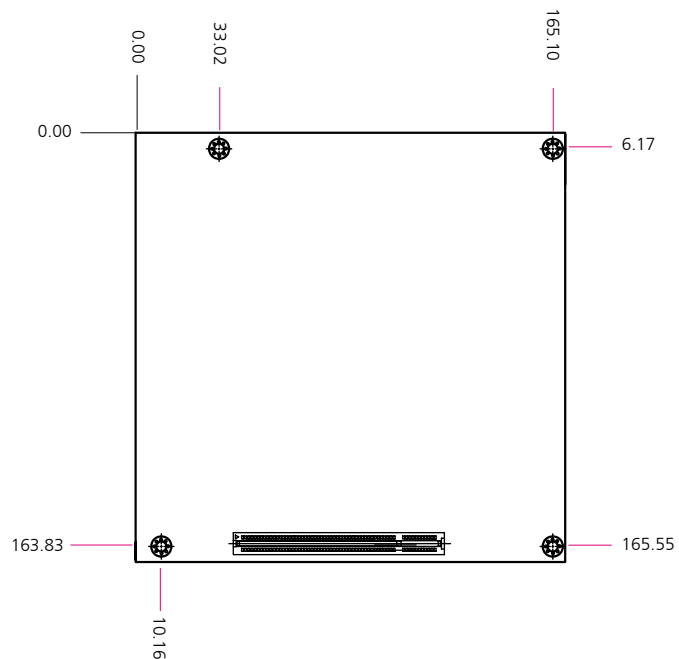
# EM-9660

Mini ITX AMD® Socket 754 Mobile Sempron / Turion Motherboard with VGA/ TV-out/ USB/ Firewire/ SPDIF



## FEATURES

- Supports AMD Socket 754 Mobile Sempron/ Turion CPU
- ATI RS482 Express Chipset
- Two DIMM up to 2 GB DDR 400/533 SDRAM
- ATI Radeon Xpress 200 Graphics
- 5.1 CH Audio, S/PDIF, TV-out
- Realtek RTL8101L 10/100 Mbps LAN
- Agere LFW322 IEEE 1394 controller
- 2 SATA, 8 USB 2.0

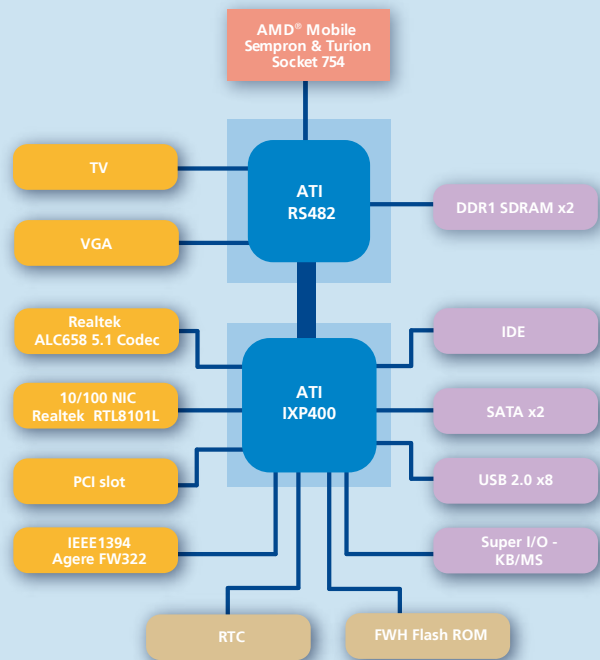


**FEATURE**
**DESCRIPTION**

<b>Platform</b>	Form Factor	Mini-ITX
	Processor	AMD Sempron, AMD Turion
	Chipset	ATI RS482 + IXP 400
	BIOS	Award Flash BIOS
	Cache Memory	Processor Built-in
<b>System Memory</b>	Technology	DDR 400/533 SDRAM
	Max Capacity	2 GB
	Socket	184-pin DIMM x 2
<b>Storage Interface</b>	IDE Interface	IDE x 1, Serial ATA x 2
	Speed	10/100 Mbps
<b>Networking</b>	I/O	RJ45x1
	Controller	Realtek RTL8101L
	Controller	ATI RS482 integrated Radeon Xpress 300 Graphics Engine
<b>Display</b>	Shared memory	Support 16/32/64/128/256 MB frame buffer
	Output	TV-out
	Codec	ATI IXP400 with Realtek ALC658 supports 5.1 CH Audio
<b>Audio</b>	I/O	Mic-in, Line-in, CD Audio-in, Line-out, S/PDIF
	Universal Serial Bus	8 (v2.0)
<b>I/O Interface</b>	Serial-ATA	2
	Bus interface	PCI
	IR Interface	115k bps, IrDA 1.0 compliant
	IEEE-1394	1
	Keyboard	PS/2
	Mouse	PS/2
	Hardware Monitoring	Controller
<b>Cooling</b>		Cooler
<b>Expansion</b>		PCI slot x1
<b>Environmental Parameters</b>	Temperature, ambient operating	0~60°C (32~140°F)
	Humidity (RH), ambient operating	0%~90% relative humidity, non-condensing
	Storage Temperature	-20~70°C (-4~158°F)
<b>Physical Dimensions</b>	Dimensions	170 mm x 170 mm (6.69" x 6.69" )
	Input	DC +3.3V/+5V/+12V/+5Vsb
<b>Power</b>	Form Factor	ATX support
	Consumption	+5 V @ 3.34 A, +12 V @ 0.09 A, +3.3 V @ 3.74 A, 5 Vsb @ 0.23 A (with Intel Pentium M 1.8 GHz & 256 MB DDR SDRAM)
	<b>Compliance</b>	

**ORDERING INFORMATION**

**EM-9660** AMD Socket 754 Mobile Sempron/Turion with VGA/TV-out/ Audio/LAN/IEEE 1394/PCI/ 8 USB 2.0

**PLATFORM ARCHITECTURE**

**About Lanner**

Founded in 1986 and publicly listed (TAIEX 6245) since 2003, Lanner Electronics Inc. is an ISO 9001 certified designer and manufacturer of reliable, frontline security, storage and applied computing platforms and solutions. With headquarters in Taipei, Taiwan and branches in the U.S., India, and China, Lanner is uniquely positioned to deliver custom technical solutions with localized, value-added service.

**Contact information**

Lanner Electronics Inc  
7F, 173, Section 2 Datong road  
Sijhih City, Taipei County 221, Taiwan

**T** +886 2 86926060

**F** +886 2 86926101

**E** sales@lannerinc.com

**W** www.lannerinc.com