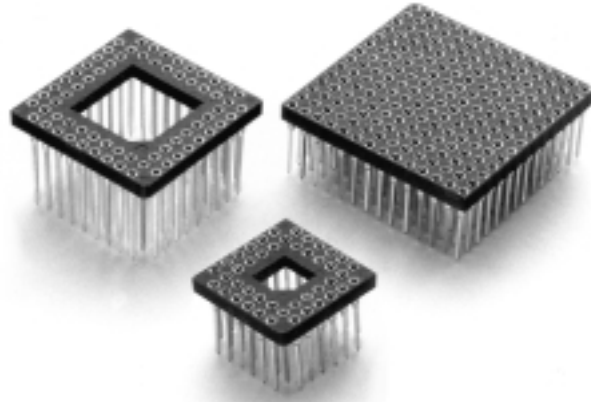
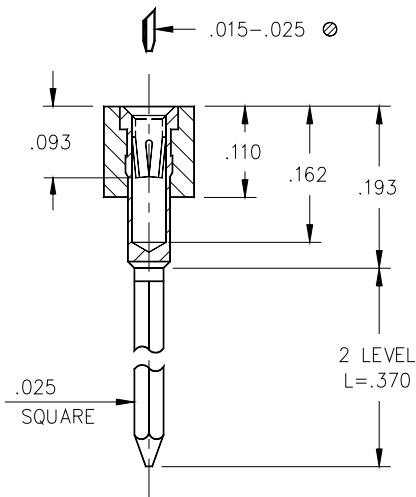


- Series 522 & 523 PGA sockets are available in 2 and 3 level wrapost lengths.
- Choice of three low force clips to cover all applications.
- Hi-Temp PCT polyester insulator material suitable for all forms of soldering.

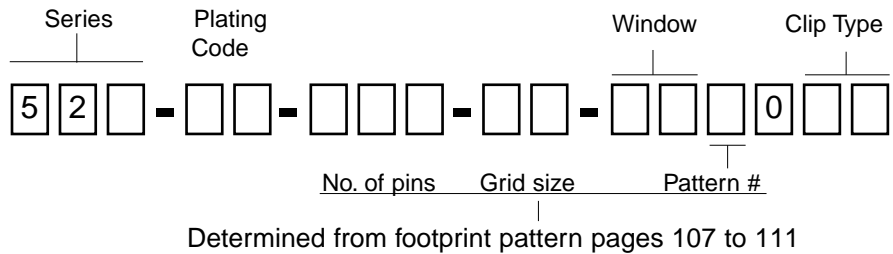


**2 LEVEL WRAPOST  
SERIES 522**

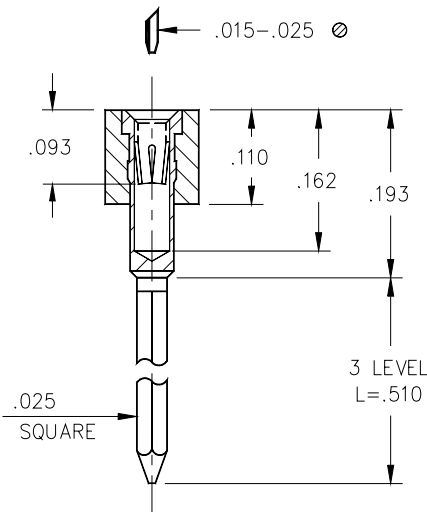


**Ordering Information**

1. Select 2 or 3 Level Wrapost pin at left to determine series number.
2. Specify 2-digit plating code from chart at bottom of page.
3. Locate footprint pattern from pages 107 to 111, the middle 8 digits of the part number will be located under the pattern.
4. Determine the last 2 digits of part number from the Contact Chart below.

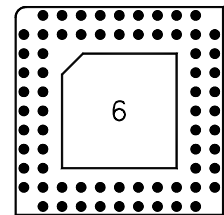


**3 LEVEL WRAPOST  
SERIES 523**



EXAMPLE OF COMPLETE PART NUMBER:  
523-13-068-11-061001

This is a 68 pin (11x11 grid) insulator with a .6" square window and fitted with 3 level wraposts. Pin sleeve is plated 10μ" gold, inner contacts are Mill-Max #32 and are plated 30μ" gold.



Clip Type	Contact (Clip) Chart
01	Mill-Max #32 clip, standard low force, recommended for devices with less than 150 pins. See page 208 for details.
02	Mill-Max #35 clip, ultra low force, recommended for devices with more than 150 pins, but less than 250 pins. See page 209 for details.
03	Mill-Max #43 clip, "ultra lite", recommended for devices with more than 250 pins. See page 209 for details.

SPECIFY PLATING CODE XX=	13	93
Sleeve (Pin)	10μ" Au	200μ" Sn/Pb
Contact (Clip)	30μ" Au	30μ" Au