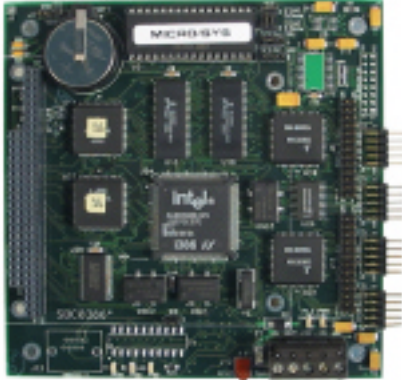




Embedded 386EX PC with Built-in UDP/IP Stack Netsock/310



Features

- ✓ Ready-to-run embedded PC
- ✓ Ethernet port with onboard Embedded Netsock™ UDP/IP stack
- ✓ 5" x 5" format with PC104 expansion
- ✓ 386EX CPU, 25MHz
- ✓ 1MB RAM, 512k flash
- ✓ COM1, COM2
- ✓ 48 TTL I/O lines
- ✓ 8 analog in, 4 analog out (optional)

Netsock/310 provides a turnkey, network-oriented platform on which to build embedded systems. Based on the Micro/sys SBC0386EX embedded PC and its built-in Ethernet port, Netsock/310 is a powerful 386EX computer that offers midrange to highrange performance, and that can significantly reduce development time.

In addition to the SBC0386EX's 386EX CPU, 1M RAM and 512K flash memory capacity, onboard serial port, 48 TTL I/O lines, analog I/O options, and pre-loaded operating system, Netsock/310 also includes the innovative Embedded Netsock UDP/IP stack. Upon power-up, a subset of the popular Winsock functions is immediately available for powerful networking operations.

With networking software pre-integrated, bringing up multi-station embedded systems is much easier than in the past. And there are no royalties for any of the included software when production volumes begin.

Netsock/310 is completely turnkey. It displays a sign-on message when 5V and +/- 12V is applied. Clip in a standard network cable, and it communicates with a network. Cables, documentation, and example programs are all supplied with the free development kit. If required by an application, Netsock/310 offers optional: 8 channels of analog input and 4 channels of analog outputs.

Software Support

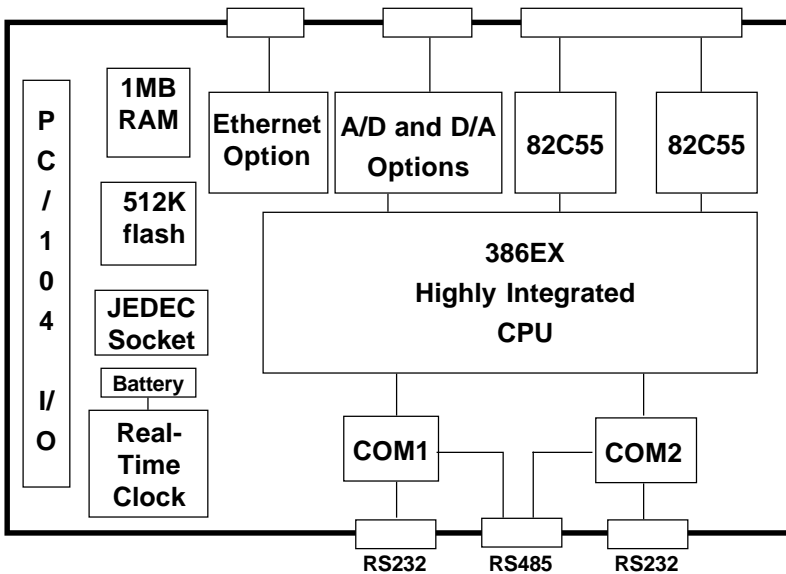
*DOS emulation, RUN.EXE™
MSDOS 5.0,
TurboDebugger™
Comm library, CommBLOK™
PID loop library, PidBLOK™,
C, BASIC, compilers
[items above in Section 6]
Novell Netware
UDP/IP Networks*

Compatible Hardware

*PC/104 expansion cards
[items above in Section 4]
RS232/RS485 devices
Ethernet Networks
Analog sensors
Analog controls
Custom*

Mounting/Packaging

*Enclosure, ENC104-3
Standoffs, STDOFF01
[Items above in Section 5]
Custom*



Specifications:

Embedded PC Features:

- 5" x 5", with PC/104 expansion
- 386EX CPU at 25MHz
- 1 MB RAM
- 512K flash
- COM1, COM2
- Digital I/O, optional analog I/O
- See SBC0386EX data sheet for complete details

Free On-board Network Software:

- Flash SetUp™ configuration utility
 - UDP/IP driver stack preloaded into flash
 - Implements subset of Winsock functions [see chart above]
 - IP, UDP, ARP, DHCP, ICMP protocols
 - Dynamically linked with application program
- Version available without UDP/IP stack.
Call factory for information.

Ordering Information:

Single Board Computer:

Netsock/310	386EX CPU, 25MHz, 1MB RAM, 512K system flash
DK310N	No charge development kit, available with first order only
0386OPT1	A/D Converter, 8-channel
0386OPT2	D/A Converter, 4-channel
0386OPT3	10BASE-T Ethernet
0386OPT25	MSDOS in bootable flash ROMdisk A:
0386OPT30-8	8MB Flash DiskC:
0386OPT30-24	24MB Flash DiskC:
0386OPT30-48	48MB Flash DiskC:
0386OPT30-64	64MB Flash DiskC:

RUN.EXE, Flash Setup, Embedded Netsock trademark Micro/sys, Inc.
CommBLOK, PidBLOK, OptoBLOK trademark Drumlin
Turbo Debugger trademark Borland International