

Cool LiteRunner-86DX

PC/104 Single Board Computer
Vortex86DX CPU



Features

Vortex86DX CPU, 600 ... 1000 MHz with built in redundancy

256 ... 512 MB soldered DDR2 RAM

100 Mbit LAN

4 x USB 2.0 host ports

GPS Receiver uBlox LEA-5H (optional)

FPGA Xilinx Spartan-3A (optional)

Specifications

Board Format PC/104
96mm x 90mm (3.775" x 3.550")

Processor Vortex86DX CPU

Speed adjustable, 600...1000 MHz

RAM max. 512 MB DDR2,
soldered on board

RAM Clock 333 MHz

USB 4xUSB 2.0 host ports

Ethernet 10/100 MBit
Integrated PHY

Serial 2xRS232/RS422/RS485
Integrated termination resistors
Flexible programmable settings

IDE 1x UDMA2 (ATA-4, 33 MB/s)
IDC44 header

MicroSD 1 standard slot for μ SD and μ SDHC
UDMA-2 mode

PS2 Keyboard and mouse

Watchdog Yes (3 different)

Status LED HDD/ μ SD, 2x LAN, 3x FPGA,
watchdog, 3x SMC, 2x COM

FPGA Xilinx Spartan-3A with 200K gates,
connected to CPU via SPI
Usable as master or slave device

GPS uBlox LEA-5H, Galileo-Ready
supports active and passive antennas

ISA Bus PC/104

PCI Bus MiniPCI type 3A slot
Standard PC Cards

Power Supply 5 V only
ATX 1.3 compatible

Power Consumption 3.5 W max. (512 MB RAM)
3.0 W max. (256 MB RAM)

RTC Backup Integrated battery

Cooling None @ 1 GHz & 60°C max.
None @ 600 Mhz & 85°C max.
Passive @ 1 GHz & 85° max.

MTBF 296 665 hours at 25 °C

Operating temperature 0°C...+60°C (commercial, all versions)
-20°C...+60°C (industrial, all versions)
-40°C...+85°C (extended, optional)

BIOS AMI BIOS, integrated in CPU

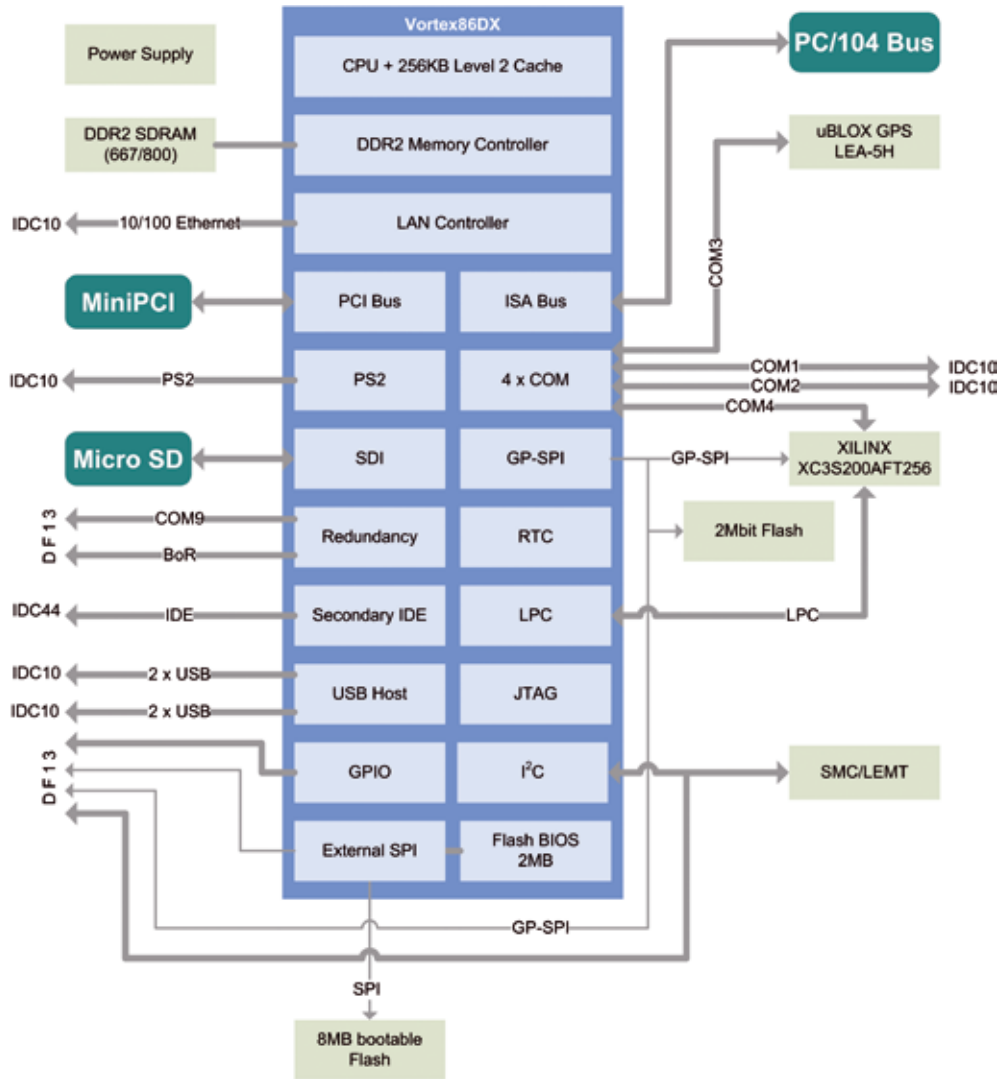
LEMT Yes, Condition Monitoring

Supported OS Windows XP, XP Embedded,
Windows CE, Linux, DOS

Cool LiteRunner-86DX

PC/104 Single Board Computer
Vortex86DX CPU

Block Diagram



Accessoires



MPCI-VGA: MiniPCI graphics card with Volari Z9M GPU and 8 MByte internal graphics memory,

Ordering Information

Ordering Number	Description
#02-0010-10	PC/104 CPU board with DM&P Vortex-86DX and 512 MB
#06-0017-10	MiniPCI-VGA graphics module, MPCI-VGA

Note: t denotes the temperature range. Use 7 for commercial, 8 for industrial and 9 for extended temperature range

LIPPERT ADLINK TECHNOLOGY
Hans-Thoma-Str. 11 · D-68163 Mannheim
Phone +49 621 43214-0 · Fax +49 621 43214-30
sales@lippertembedded.com
www.lippertembedded.com

Ampro ADLINK Technology, Inc.
5215 Hellyer-Avenue, #110
San Jose, CA 95138, U.S.A.
Toll Free (800) 966 5200 · Fax (408) 360 0222
info@adlinktech.com

LIPPERT™
BY ADLINK