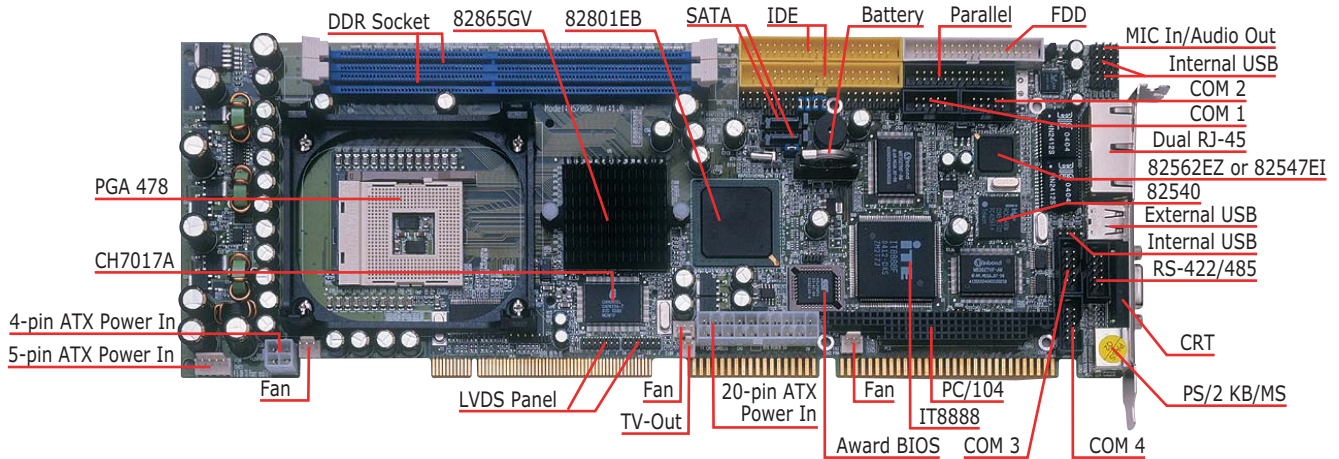


# PICMG Bus Single Board Computer HS-7002

- 800MHz FSB
- Audio
- IrDA
- DDR
- Serial ATA
- USB2.0
- GPIO
- ATA/33/66/100
- WDT
- CRT/LVDS Panel
- RS-232/422/485
- H/W Monitor
- TV-Out
- 4 COM
- Dual Giga LAN
- PC/104

800MHz FSB Pentium 4 PICMG Bus SBC with Serial ATA, CRT/LVDS Panel, Audio, Dual Giga LAN & TV-Out



## ■ Features

- PGA 478 for Intel Pentium 4 CPU with Hyper-Threading Technology up to 3.2GHz
- Supports 400/533/800MHz FSB
- Two DDR sockets with a max. capacity of 2GB
- Intel 82865GV/82801EB system chipset
- Winbond W83627 super I/O chipset
- Intel 82865GV CRT display controller
- Intel 82562EZ 10/100 Based (or 82547EI 100/1000 Based) and Intel 82540 100/1000 Based LAN
- AC97 3D audio controller
- Supports Serial ATA controller
- Fast PCI ATA/33/66/100 IDE controller
- Four COM, seven USB2.0 connectors
- PC/104 Bus connector
- Supports Hardware Monitor
- Supports 8-bit General Purpose Input/Output
- Supports LVDS Panel interface (optional)
- Supports TV-Out function (optional)

## ■ Specifications

- \***CPU:** PGA 478 for Intel Pentium 4 CPU with Hyper-Threading Technology up to 3.2GHz
- \***Bus Interface:** PICMG Bus
- \***Front Side Bus:** Supports 400/533/800MHz FSB
- \***Memory:** Two DDR sockets supporting DDR-266/333/400 up to 2GB
- \***Chipset:** Intel 82865GV/82801EB
- \***I/O Chipset:** Winbond W83627
- \***ISA Bridge:** ITE IT8888 (16-bit)
- \***VGA:** Intel 82865GV with 1MB/8MB/16MB shared main memory supporting CRT display up to 1600 x 1200 at 32-bit colors at 60Hz
- \***LVDS Panel:** Supports LVDS interface (optional)
- \***TV-Out:** Supports PAL or NTSC TV systems (optional)
- \***LAN:** Intel 82562EZ 10/100 Based (or 82547EI 100/1000 Based) and Intel 82540 100/1000 Based LAN
- \***Audio:** AC97 3D audio controller
- \***Serial ATA:** Intel ICH5 controller and with two ports supporting transfer rate up to 150MB/sec.
- \***IDE:** Four IDE disk drives supporting ATA/33/66/100 and with transfer rates of 33/66/100MB/sec.
- \***FDD:** Supports up to two floppy disk drives
- \***Parallel:** One enhanced bi-directional parallel port supporting SPP/ECP/EPP
- \***Serial Port:** 16C550 UART-compatible RS-232/422/485 x 1 and RS-232 x 3 serial ports with 16-byte FIFO
- \***PC/104:** PC/104 Bus connector for 16-bit ISA Bus
- \***IrDA:** One IrDA TX/RX connector
- \***USB:** Seven USB2.0 connectors, six internal and one external
- \***Keyboard/Mouse:** PS/2 6-pin Mini DIN
- \***BIOS:** Award PnP Flash BIOS
- \***Watchdog Timer:** Software programmable time-out intervals from 1~256 sec.
- \***CMOS:** Battery backup
- \***Power Connector:** One 20-pin and one 4-pin ATX power connector
- \***Temperature:** 0~+60°C (operating)
- \***Hardware Monitor:** Winbond W83627
- \***Dimensions:** 33.8(L) x 12.1(W) cm

## ■ Ordering Guide

- **HS-7002** 800MHz FSB P4 SBC w/Serial ATA, CRT/LVDS, Audio, Dual G LAN, TV-Out, 4C/485, USB2.0, & Fan(251-0000020)
- **HS-7002LLV** 800MHz FSB P4 SBC w/Serial ATA, CRT/LVDS, Audio, 1GL1L, 2C, USB2.0, & Fan(251-0000020)
- **HS-7002LV** 800MHz FSB P4 SBC w/Serial ATA, CRT, Audio, LAN, 2C, USB2.0, & Fan(251-0000020)

### Accessory Options:

- 251-0000020** Height=3cm, CPU cooler for PGA 478 1.7~2.8GHz CPU
- 251-0000037** 1U high, CPU cooler for PGA 478 1.7~2.4GHz CPU
- 251-0000035** 2U high, CPU cooler for PGA 478 2.8~3.06GHz CPU or other high level CPU



ISO 9001  
Certification

Intel  
Communications  
Alliance  
Affiliate Member

