

RACK-500/504/900

5U Height 5/10-Slot Full Size Industrial PC Chassis

RACK



RACK-500/504/900-White



RACK-500/504/900-Black

RACK-504

Support 64-bit PCI and ACE-816AP, 150W ATX power supply with PFC function

CA-950



RACK-500



RACK-900

Features:

- ◆ 5U height
- ◆ Built-in system monitoring board to detect the temperature, +5V power supply and fan speed
- ◆ Front side removable fan filter
- ◆ Removable fan

ORDERING INFORMATION

● RACK-500[C]/ACE-[P]/[B]:

5U 5-slot compact/rackmount chassis with ACE- P power supply & B backplane

● RACK-504[C]/ACE- 816AP/PCI64-5S

5U 5-slot compact/rackmount chassis with ACE-816AP & PCI64-5S PCI 64bit backplane

● RACK-900[C]/ACE-[P]/[B]:

5U 10-slot compact/rackmount chassis with ACE- P power supply & B backplane

● CA-950[C]:

19" rack carrier for RACK-500/900

[C] Color Code : B = Black; W = White

[P] Power Supply ; [B] Backplane

(Please select PCI-5S2, IP-5S, IP-5S2, PCI-5S3 for each RACK-500 chassis and PCI-10S2, IP-10S2 for each RACK-900 chassis)

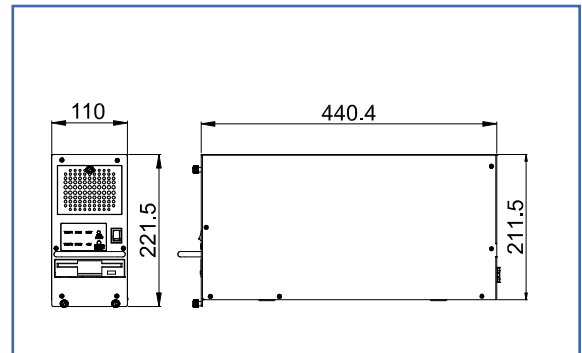
SPECIFICATIONS

- ◆ 5U height 19" Rack mounting/compact chassis
- ◆ Drive Bays :

Model	3.5" FDD	5.25" Drive	3.5" HDD
RACK-500/504	1		1
RACK-900	1	1	2

- ◆ One 8cm removable cooling fan with removable filter
- ◆ Built-in system monitor board :
 - 2 x temperature
 - 2 x fan speed
 - 1 x +5V DC input
- ◆ Supports backplane :
 - RACK-500: PCI-5S2, PCI-5S3, IP-5S, IP-5S2
 - RACK-504: PCI64-5S
 - RACK-900: PCI-10S2, IP-10S2
- ◆ Supports 5 or 10 full size cards
- ◆ Supports power supply :
 - RACK-500: ACE-716 series power supply
 - RACK-504: ACE-816AP power supply
 - RACK-900: ACE-723 series power supply
- ◆ Vibration: 5~17Hz, 0.1" double amplitude displacement
17~640Hz, 1.5G acceleration peak to peak
- ◆ Shock: 10G acceleration peak to peak (11ms)
- ◆ Colors:Black (PANTONE Black C) or White (PANTONE 413C)
- ◆ Dimensions:
 - RACK-500/504: 110(W) x 221.5 x 440.4(D)mm; (4.3" x 8.7" x 17.3")
 - RACK-900: 220(W) x 221.5 x 440.4(D)mm; (8.6" x 8.7" x 17.3")
- ◆ Net/GW (kg): 6/9(RACK-500/504), 10/13(RACK-900), 6/11(CA-950)

Dimensions



Dimensions

