

LB200 Series Indoor Building Entrance Terminal

An Evolant™ Solutions Product

Corning
Cable Systems

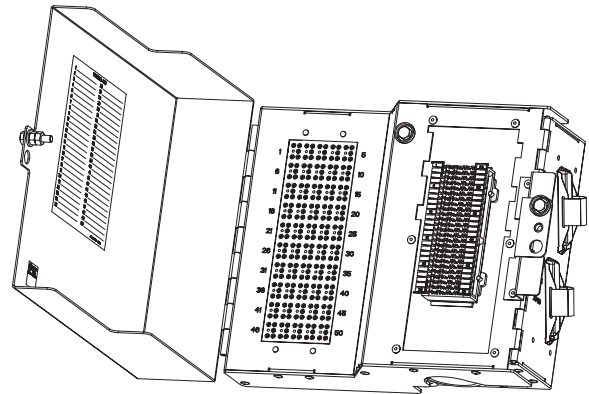
Description

The Indoor LB200 Series is available with a variety of output combinations including the Mini-Rocker tool-less IDC, 66 Block or 66 Block and RJ-21. The LB200 BET/NID Series integrates protection and multi-pair demarcation modules (ML-8925) in one housing. All indoor units include an indoor cover for protection. Outdoor units are also available.

For product safety and quality performance under extreme conditions, Corning Cable Systems tests each pair for continuity and high voltage ratings.

Features / Benefits

- Multi-pair demarcation (BET/NID version)
- Splice chamber (located behind protection)
- Powder-coated paint
- Stainless steel hardware
- Ergonomic design
- Various I/O options
- Compact, cost effective
- Choice of termination type
- Rugged, intrusion resistant
- Durable, appealing finish
- Corrosion resistant
- Craft-friendly, safe operation
- Flexibility
- Indoor cover
- Stubbing option



50-Pair, Indoor, with 66 Block and RJ-21 Output | Drawing ZA-2407

LB200 Series Indoor Building Entrance Terminal

An Evolant™ Solutions Product

Corning
Cable Systems

Indoor Units

These rugged BETs are constructed of heavy-gauge aluminum (0.090-inch thickness) to reduce weight, prevent corrosion and protect the inside components and wiring against unauthorized access.

Specifications

Product	Dimensions (H x W x D) in (cm)	Weight lb (kg)
BET		
25 pair	8.1 x 13.5 x 5.2 (20.6 x 34.3 x 13.2)	6 (2.7)
50 pair	11.0 x 13.5 x 5.2 (27.9 x 34.3 x 13.2)	8 (3.6)
100 pair	20.6 x 13.5 x 5.2 (52.3 x 34.3 x 13.2)	17 (7.7)
BET/NID		
25 pair	7.4 x 17.0 x 5.8 (18.8 x 43.2 x 14.7)	6 (2.7)
50 pair	11.2 x 17.0 x 5.8 (28.4 x 43.2 x 14.7)	8 (3.6)
100 pair	22.3 x 17.0 x 5.8 (56.6 x 43.2 x 14.7)	17 (7.7)

Shipping Specifications

Product	Dimensions (H x W x D) in (cm)	Weight lb (kg)
BET		
25 pair	11.3 x 15.3 x 8.3 (28.6 x 38.7 x 21.0)	10 (4.5)
50 pair	15.0 x 16.5 x 9.5 (38.1 x 41.9 x 24.1)	12 (5.5)
100 pair	24.6 x 16.5 x 9.5 (62.5 x 41.9 x 24.1)	21 (9.5)
BET/NID		
25 pair	11.5 x 21.3 x 10.0 (29.2 x 54.1 x 25.4)	10 (4.5)
50 pair	15.5 x 21.3 x 10.0 (39.4 x 54.1 x 25.4)	12 (5.5)
100 pair	26.5 x 21.3 x 10.0 (67.3 x 54.1 x 25.4)	21 (9.5)

LB200 Series Indoor Building Entrance Terminal

An Evolant™ Solutions Product

Ordering Information

LBI - -
1 2 3 4 5 6

1 Select customer-specific option.

- 0 = Standard
- 2-9 = Customer-specific

2 Select pair count.

- 2 = 25-pair
- 0 = 50-pair
- 1 = 100-pair

3 Select input option.

- A = Raw-ended stub
- B = Lucent 710SC1 (filled)
- D = 3M 4005 DPM/FR

4 Select output option.

- 1 = 66-type block
- 2 = 66-type block and RJ-21
- 3 = Mini-Rocker
- 5 = ML-8925 (includes RJ-11 jacks)

5 Select protector block option.

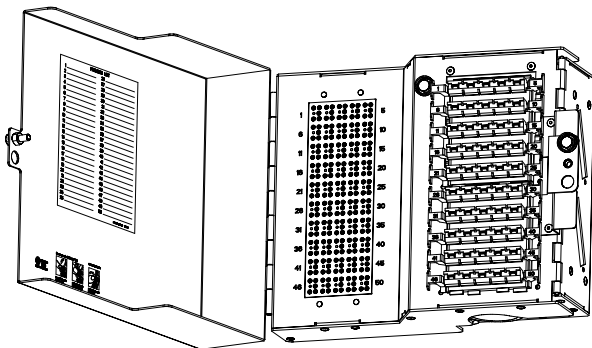
- T = Tin
- G = Gold

6 Select protector module.

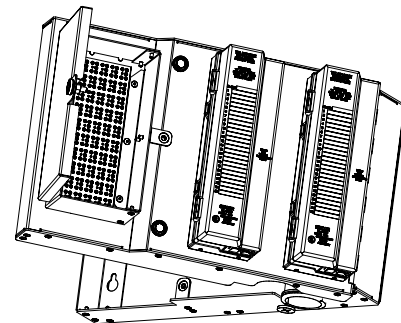
- 00 = No Modules
- 01 = 303M-11A1TO SSOVP, 300 V, Standard Circuit, Tin, No Heat Coil
- 02 = 303M-12A1TE SSOVP, 300 V, Standard Circuit, Tin, 150 mA Heat Coil
- 03 = 303M-12A1TA SSOVP, 300 V, Standard Circuit, Tin, 350 mA Heat Coil
- 04 = 303M-11A1KO SSOVP, 220 V, Standard Circuit, Tin, No Heat Coil
- 05 = 303M-12A1KE SSOVP, 220 V, Standard Circuit, Tin, 150 mA Heat Coil
- 06 = 303M-12A1KA SSOVP, 220 V, Standard Circuit, Tin, 350 mA Heat Coil
- 07 = 303-0755 7X Fail-short, Gas LCGX® 400 V, Standard Circuit, Tin
- 08 = 303-0955 9X Fail-short, Gas Standard Circuit, Tin
- 09 = 303M-11A1GO SSOVP, 300 V, Standard Circuit, Gold, No Heat Coil
- 10 = 303M-12A1GE SSOVP, 300 V, Standard Circuit, Gold, 150 mA Heat Coil
- 11 = 303M-12A1GA SSOVP, 300 V, Standard Circuit, Gold, 350 mA Heat Coil
- 12 = 303M-11A1EO SSOVP, 220 V, Standard Circuit, Gold, No Heat Coil
- 13 = 303M-12A1EE SSOVP, 220 V, Standard Circuit, Gold, 150 mA Heat Coil
- 14 = 303M-12A1EA SSOVP, 220 V, Standard Circuit, Gold, 350 mA Heat Coil
- 15 = 303M-07S1GO Gas Tube, Gold, 3B1E 400 V, S-BUG

Accessories

Part Number	Description
60-001-33	25-pair, 25-ft stubbing kit (includes 3M MS ² connector)
60-001-34	50-pair, 25-ft stubbing kit (includes 3M MS ² connector)
60-001-35	100-pair, 25-ft stubbing kit (includes 3M MS ² connector)



50-Pair, Indoor, with Mini-Rocker Output | Drawing ZA-2594



50-pair, Indoor, with ML-8925 Output | Drawing ZA-2593

LB200 Series Indoor Building Entrance Terminal

An Evolant™ Solutions Product

Corning
Cable Systems



CORNING
Discovering Beyond Imagination

**Corning Cable Systems LLC • PO Box 489 • Hickory, NC 28603-0489 USA
1-800-743-2675 • FAX: +1-828-901-5973 • International: +1-828-901-5000 • <http://www.corning.com/cablesystems>**

Corning Cable Systems reserves the right to improve, enhance and modify the features and specifications of Corning Cable Systems' products without prior notification. LCGX is a registered trademark of Corning Cable Systems Brands, Inc. Evolant is a trademark of Corning Cable Systems Brands, Inc. Discovering Beyond Imagination is a trademark of Corning Incorporated. All other trademarks are the properties of their respective owners. Corning Cable Systems is ISO 9001 certified. © 2001, 2002 Corning Cable Systems. All rights reserved. Published in the USA.
EVO-247-EN / August 2002 / 4M