

DATA SHEET
SPECIFICATIONS
**MODEL #5256
AC GENERATOR
5 KVA - 12,000 RPM**

VOLTAGE: 115/200 VAC
PHASE: THREE
FREQUENCY: 400 HZ
POWER FACTOR: 0.75 LAG TO UNITY
REGULATION: ±2.5V

SPEED RANGE: 11,400-13,200 RPM
OVERSPEED: 15,000 RPM FOR 1 HR
CONTINUOUS RATING: 5 KVA
OVERLOADS: 7.5 KVA 2.0 MINUTES
 10.0 KVA 5.0 SECONDS
 3/UNIT SHORT CIRCUIT CURRENT
EFFICIENCY: 73% MIN. - RATED LOAD

COOLING: SELF-VENTILATED
AMBIENT: INTERNAL FAN
ALTITUDE: -55°C TO +70°C
LIFE: 0 TO 50,000 FT.
 15.5 to 1.38 PSIA
 2,000 HOURS

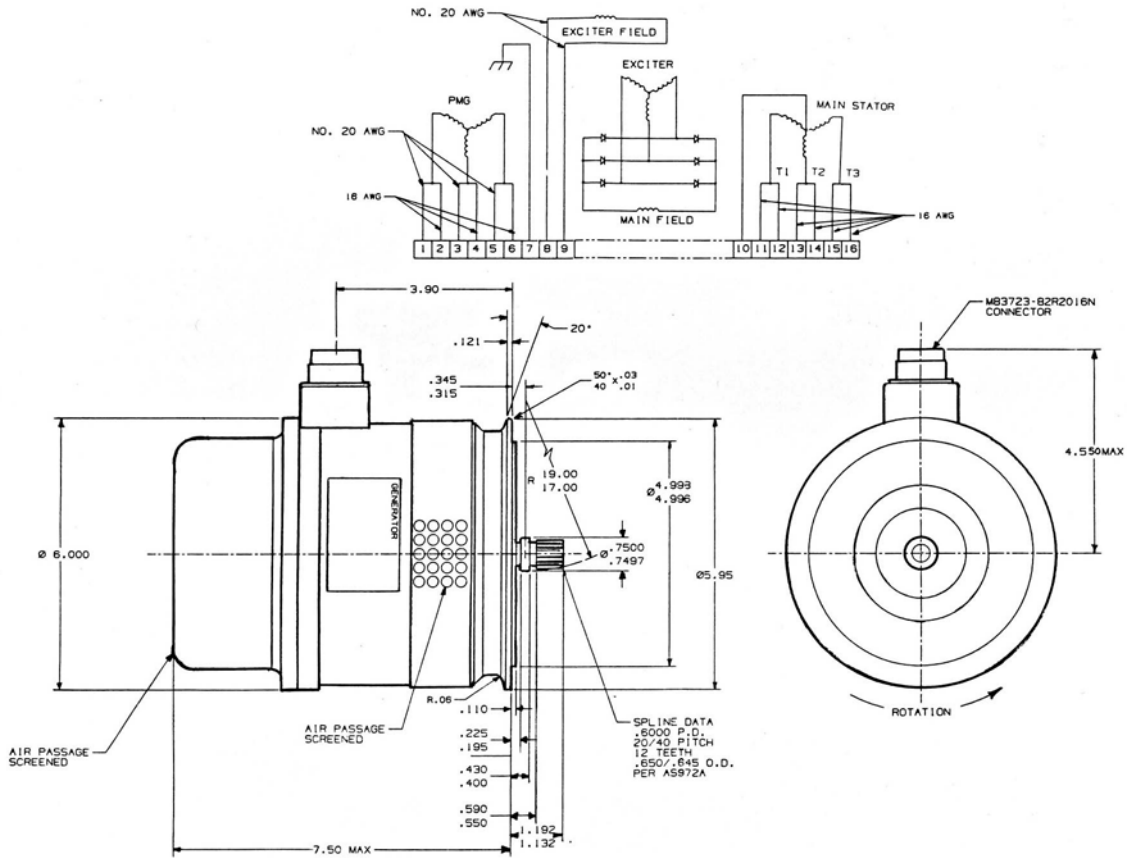
WEIGHT: GEN - 14.0 LBS., MAX.
 GCU - 1.9 LBS., MAX.

COMPLIANCE: MIL-STD-704D

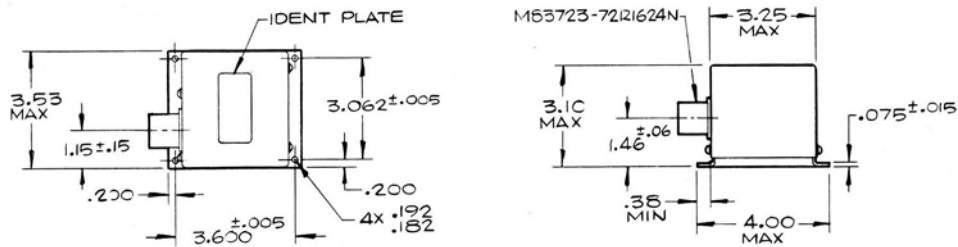

DESCRIPTION

Model 5256 Electrical Power Generator System consists of an AC generator and a generator control unit. The generator is brushless, wound field, synchronous AC generator with a separate 500 VA permanent magnet generator (PMG) section that supplies power for aircraft protective equipment. In addition, the PMG, along with the integrated exciter, provides self excitation and output voltage control. The separately packaged generator control unit contains the PMG rectifier, main field regulator and aircraft bus contactor controls. The protective functions are also built into this control unit.

OUTLINE DETAILS



GENERATOR



GENERATOR CONTROL UNIT