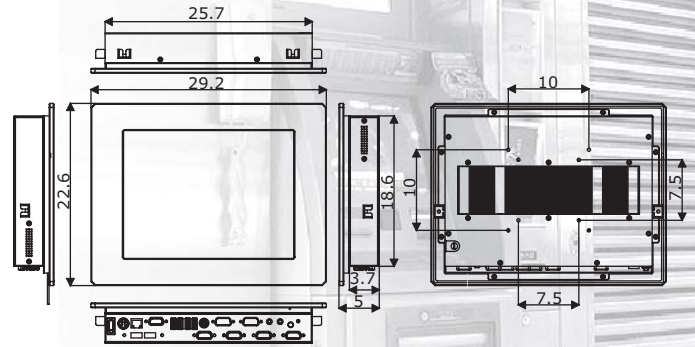


BPF-3310

10.4" Fanless Panel PC with Touch Screen, MainBoard, 12V DC Adapter Provides Intel® Atom™ processor 1.6GHz, 2W AMP Stereo Speaker



Features

- Fanless, aluminum front panel design
- 10.4" TFT color panel display
- Built-in touch screen, Brightness Control, SBC+Intel® Atom™ N270 processor 1.6GHz, 12V DC adapter
- Onboard graphics, GB ethernet, audio controller
- 1 x 2.5" SATA HDD space
- Provides 2W AMP with Stereo Speaker
- Provides CF, 1 x mini PCI, 6 x COM, 6 x USB2.0
- COM1 and COM2 provides +5V power output
- Option for Wireless LAN module

System

SBC Model

SBC
CPU

Intel® Atom™ N270 processor 1.6GHz

BIOS

Award PnP Flash BIOS

System Chipset

Intel® 945GSE/ICH7-M

System Memory

1 x 200-pin SO-DIMM socket up to 2GB DDR2 SDRAM

Display Chipset

Intel® 945GSE integrated Intel® GMA950

Audio Chipset

RealTek ALC202A

2W AMP with Stereo Speaker

Ethernet Chipset

RealTek RTL8111C 10/100/1000 Mbps LAN

Provides Wireless LAN Module (option)

Drive Bay

1 x 2.5" SATA HDD space

Storage

1 x Type II CF socket

Watchdog Timer

Software programmable time-out intervals from 1~255 sec. or 1~255 min.

Expansion Interface

1 x Type III Mini PCI socket

Dimensions (LxHxW)

29.2 x 22.8 x 5.0 cm

Cut Out Size (LxH)

26.1 x 19.9 cm

Operation/Storage Temperature

0~+45 degrees C/-20~+70 degrees C

EMC

FCC/CE

Front Panel Protection

IP65 compliance

Power Adapter

12V DC in 84W adapter (Lockable jack)

Display

LCD Size

10.4"

Max Resolution

800(H) x 600(V) pixels RGB stripes arrangement

Brightness (cd/m²)

250 cd/m²(Typ.)

LCD Color

6-bit, 262,144 colors

Pixel Pitch (mm)

0.264 x 0.264

Touch Screen

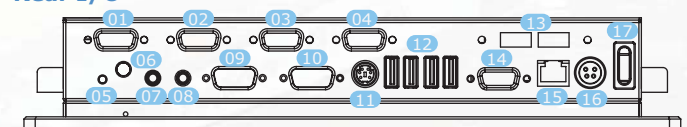
10.4" resistive

I/O Interface

External I/O

6 x COM, MIC In, Line Out, PS/2 KB/MS, 6 x USB2.0, VGA, LAN

Rear I/O



- | | | |
|----------------------------------|----------------|-----------------------|
| 01. COM 6 | 07. MIC In | 13. USB2.0 * 2 |
| 02. COM 5 | 08. Line Out | 14. VGA |
| 03. COM 4 (RS-232 or RS-422/485) | 09. COM 2 | 15. LAN |
| 04. COM 3 | 10. COM 1 | 16. DC Adapter In |
| 05. Reset Button | 11. KB/MS | 17. Main Power ON/OFF |
| 06. Brightness | 12. USB2.0 * 4 | |

Ordering Guide

BPF-3310

10.4" Panel PC w/TFT Panel, Touch Screen, Atom™ 1.6GHz CPU, 12V DC Adapter

Accessory Options

Table Top Metal Stand, Memory Module, CF Module, Wireless LAN Module, 2.5" SATA HDD