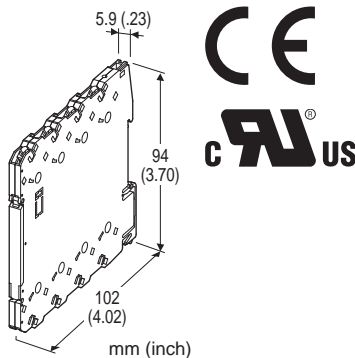


Tension-Clamp Ultra-Slim Signal Conditioners M6S Series

INPUT LOOP POWERED ISOLATOR

Functions & Features

- Maintenance-free tension clamp connection
- 5.9-mm wide ultra-slim design
- Low profile allows the M6S module mounted in a 120-mm deep panel
- Loop-powered design eliminates output loop power supply
- Two isolators housed in one enclosure
- High-density mounting
- UL approval



MODEL: M6SSN-[1]DD[2]

ORDERING INFORMATION

- Code number: M6SSN-[1]DD[2]
Specify a code from below for each [1] and [2].
(e.g. M6SSN-2DD/UL)

[1] NO. OF CHANNELS

- 1: 1 channel
- 2: 2 channels

INPUT

Current

D: 0 - 20 mA DC (4 - 20 mA DC)

OUTPUT

Current

D: 0 - 20 mA DC (4 - 20 mA DC)

[2] OPTIONS

STANDARDS & APPROVALS

- blank: CE marking
- /UL: UL approval (CE marking)

GENERAL SPECIFICATIONS

Connection: Tension clamp

Applicable wire size: 0.2 to 2.5 mm², stripped length 8 mm

Housing material: Flame-resistant resin (black)

Isolation: Input to output, between channels

Span adjustments: ±0.5 % (front)

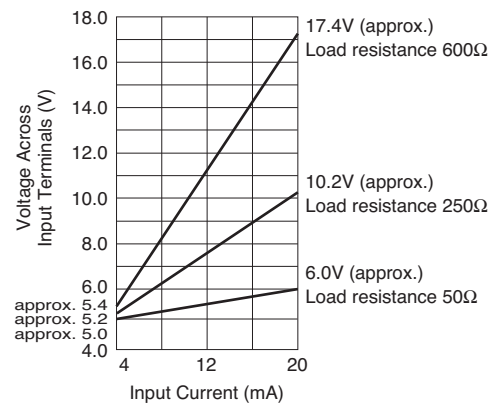
INPUT & OUTPUT

Equivalent input impedance: 250 Ω plus load resistance with 20 mA input

Operational range: 0.05 - 40 mA DC (Accuracy is assured within 0.05 - 22 mA)

Minimum operating current: 0.05 mA

Load resistance: 0 - 600 Ω



INSTALLATION

Operating temperature: -20 to +55°C (-4 to +131°F)

Operating humidity: 30 to 90 %RH (non-condensing)

Mounting: Installation Base (model: M6SBS) or DIN rail

Weight: 60 g (2.1 oz)

PERFORMANCE in percentage of span

Accuracy: ±0.1 %

Temp. coefficient: ±0.015 %/°C (±0.008 %/°F)

Response time: Approx. 20 msec. (0 - 90 %)

Load effect: (factory-calibrated with 250 Ω load)
0.004%/Ω (0 - 600 Ω)

Insulation resistance: ≥ 100 MΩ with 500 V DC

Dielectric strength:

1500 V AC @1 minute (input to output)

2000 V AC @1 minute (between channels)

2000 V AC @1 minute (input or output to ground)

STANDARDS & APPROVALS

CE conformity:

EMC Directive (2004/108/EC)

EN 61000-6-4 (EMI)

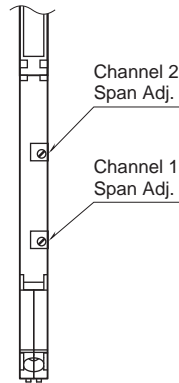
EN 61000-6-2 (EMS)

Approval:

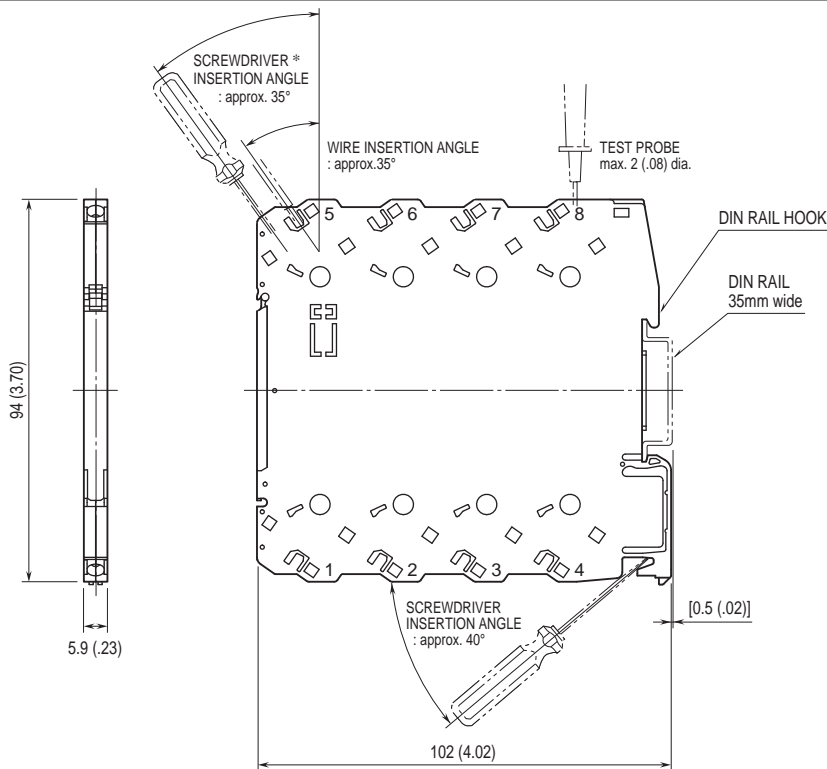
UL/C-UL nonincendive Class I, Division 2,
 Groups A, B, C, and D hazardous locations
 (ANSI/ISA-12.12.01, CAN/CSA-C22.2 No.213)
 UL/C-UL general safety requirements
 (UL 61010-1, CAN/CSA-C22.2 No.61010-1)

EXTERNAL VIEW

(With the cover open)

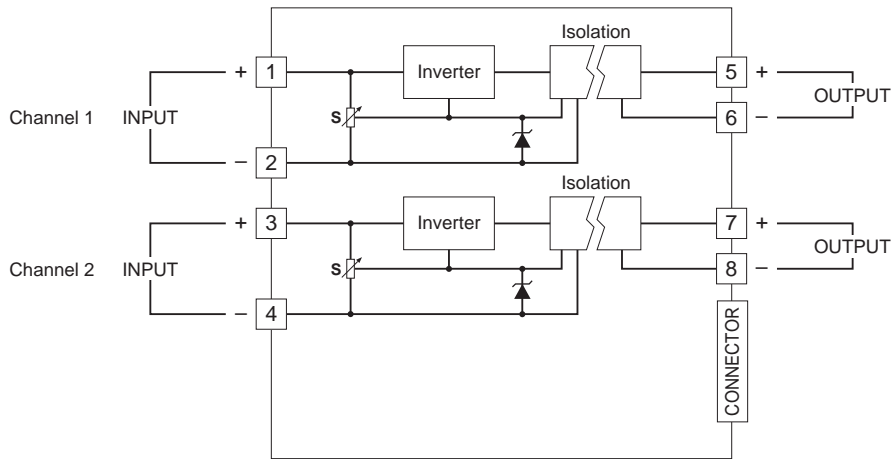


DIMENSIONS unit: mm (inch)



*Use a minus screwdriver: tip width 3.8 mm max., tip thickness 0.5 to 0.6 mm

SCHEMATIC CIRCUITRY & CONNECTION DIAGRAM



Specifications are subject to change without notice.