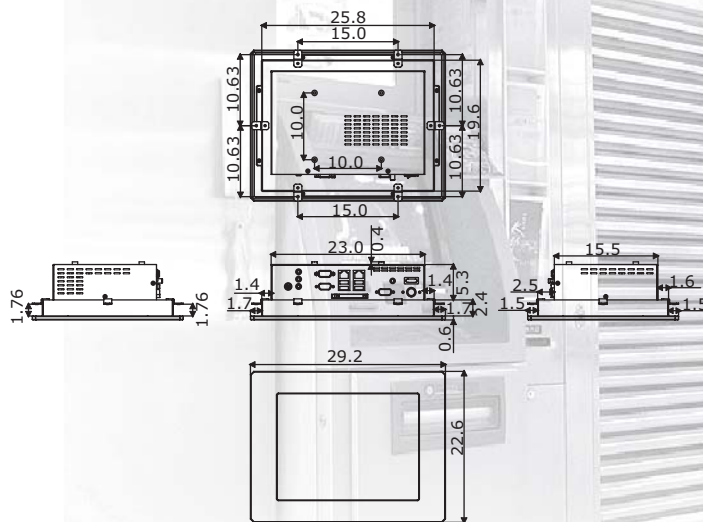


BPC-9210

10.4" High Speed Panel PC with Touch Screen, MainBoard, CF, 12V DC Adapter



Features

- Aluminum front panel design
- 10.4" TFT color panel display
- Built-in touch screen, HS-2622+VIA V4 Eden 1GHz CPU, 12V DC adapter
- Onboard graphics, dual ethernet, audio controller
- 1 x 2.5" HDD space
- 1 x 4cm ball bearing cooling fan
- BPC-9210-H provides CF, 2 x COM, 4 x USB2.0
- Option for Wireless LAN module, open frame type

System

SBC Model

HS-2622

CPU

VIA V4 Eden 1GHz CPU

BIOS

Award BIOS with 4Mb Flash EEPROM

System Chipset

VIA CX700(M)

System Memory

1 x 200-pin SO-DIMM socket up to 1GB DDR2 SDRAM

Display Chipset

VIA CX700(M)

Audio Chipset

RealTek ALC883 7.1+2CH audio codec

Ethernet Chipset

Dual VIA VT6106S 10/100 Mbps LAN
Provides Wireless LAN Module (option)

Drive Bay

1 x 2.5" HDD space

Storage

1 x Type II CF socket

Watchdog Timer

Reset: 1 sec.~255 min. and 1 sec. or 1 min./step

Thermal Solution

1 x 4cm ball bearing cooling fan

Dimensions (LxHxW)

29.2 x 22.6 x 8.7 cm

Cut Out Size (LxH)

26.2 x 20.0 cm

Operation/Storage Temperature

0~+45 degrees C/-20~+70 degrees C

EMC

FCC/CE

Front Panel Protection

IP65 compliance

Power Adapter

12V DC in 84W adapter

Display

LCD Size

10.4"

Max Resolution

800 x 600 pixels

Brightness (cd/m²)

230 cd/m²(Typ.)

Contrast Ratio

500:1

LCD Color

26.2K colors

Pixel Pitch (mm)

0.264 x 0.264

Touch Screen

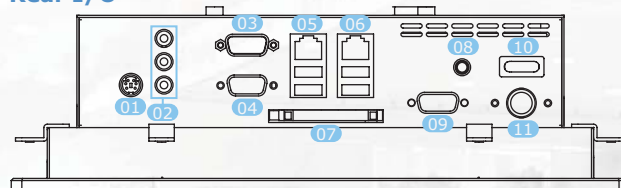
10.4" resistive

I/O Interface

External I/O

PS/2 KB/MS, MIC In, Line In, Line Out, 2 x COM, VGA,
2 x LAN, 4 x USB2.0, CF

Rear I/O



- | | | |
|-----------|----------------------|-------------------------------|
| 01. KB/MS | 05. LAN + USB2.0 * 2 | 09. COM 2 (RS-422/485 option) |
| 02. Audio | 06. LAN + USB2.0 * 2 | 10. Main Power ON/OFF |
| 03. COM 1 | 07. CF | 11. DC Adapter In |
| 04. VGA | 08. WLAN ANT | |

Ordering Guide

BPC-9210-H

10.4" Panel PC w/TFT Panel, Touch Screen,
HS-2622(w/1GHz CPU, CF), 12V DC Adapter

OPC-9210-H

10.4" Open Frame Panel PC w/TFT Panel, Touch Screen,
HS-2622(w/1GHz CPU, CF), 12V DC Adapter

Accessory Options

Table Top Metal Stand, Memory Module,
Wireless LAN Module, 2.5" HDD