

Specifications



Model	AFL-07M	AFL-08MH	AFL-10M	AFL-12M	AFL-15M	AFL-15ME	AFL-17M	AFL-19M	AFL-W19M
LCD Size	7"	8.4"	10.4"	12.1"	15"	15"	17"	19"	19" (16:10)
Input Interface	1. Composite (NTSC/PAL) 2. YPbPr 3. S-Video 4. VGA				1. BNC Connector (NTSC/PAL) 2. YPbPr 3. S-Video 4. VGA 5. DVI			Analog VGA + DVI-D	
Max. Resolution	800 x 480 (WVGA)	800 x 600 (SVGA)	800 x 600 (SVGA)	1024 x 768 (XGA)	1024 x 768 (XGA)	1024 x 768 (XGA)	1280 x 1024 (SXGA)	1280 x 1024 (SXGA)	1440 x 900 (WXGA+)
Brightness (cd/m <sup>2</sup> )	500	450	350	500	350	250	300	300	300
Contrast Ratio	400:1	600:1	700:1	700:1	700:1	700:1	1000:1	1000:1	1000:1
Display Color	262K	262K	262K	262K	262K	16.2M	16.7M	16.7M	16.7M
Pixel Pitch (mm)	0.1905	0.213	0.264	0.24	0.297	0.297	0.264	0.294	0.2835
Viewing Angle (H/V)	140° / 130°	160° / 140°	160° / 140°	160° / 140°	140° / 125°	160° / 130°	170° / 160°	170° / 160°	170° / 160°
Touch Screen	Resistive Type 4-Wire (touch controller IC is on board)			Resistive Type 5-Wire (touch controller IC is on board)					
Front Frame	ABS and PC Plastic front frame								
Chassis	Aluminum Chassis								
Input Voltage	12VDC								9-36VDC
OSD Function	Remote Control for OSD Functions				1. OSD Keypad below the Front Panel 2. Remote Control for OSD Functions				
Smart-OSD	YES								
Mounting	Panel / Wall mounting (VESA 75 x 75mm)		Panel / Wall mounting (VESA 75 x 75mm / 100 x 100mm)			Wall mounting (VESA 100 x 100mm)			
Color	Gray 7539U				Sliver (877U) & Gray (ABSA2037)			Block C	
Dimensions (W x H x D mm)	226 x 140 x 40	234 x 184 x 41	276 x 227 x 51	304 x 246 x 50	393 x 308 x 61		428 x 350 x 65	470 x 382 x 67	475 x 332 x 65
Operating Temperature	0°C~+50°C								
Front Panel Protection	IP 64 Compliant								
Net Weight	0.88 Kg	1.14 Kg	1.33 Kg	2.12 Kg	3.2 Kg		5.0 Kg	5.6 Kg	6.0 Kg
Power Adapter	36W, 63000-FSP036RAB610-RS				60W, 63000-FSP060DBAB1553-RS				

1

IEI Mobile Solutions

2

Automation Panel Solutions

3

Video Wall Controller/ Splitter

4

RISC-based Solutions

5

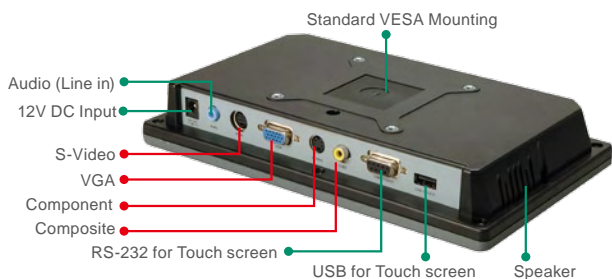
PACSmate Medical Solutions

6

Optional Peripherals

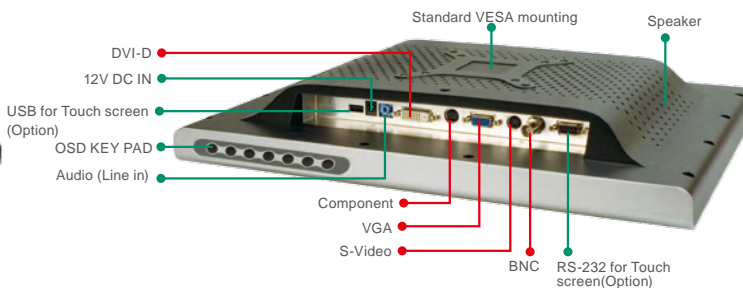
7"~12.1" AFOLUX Monitor

4-in-1 Multiple Video Input System

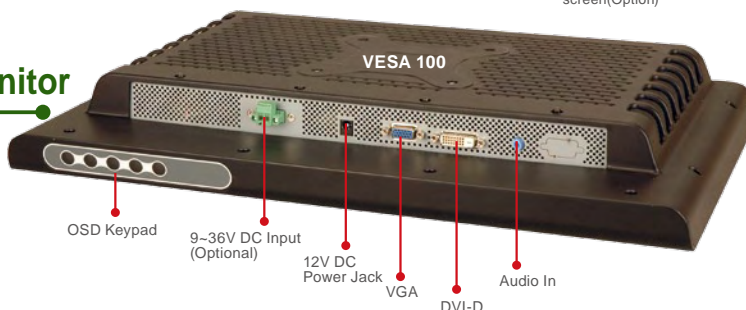


15"~19" AFOLUX Monitor

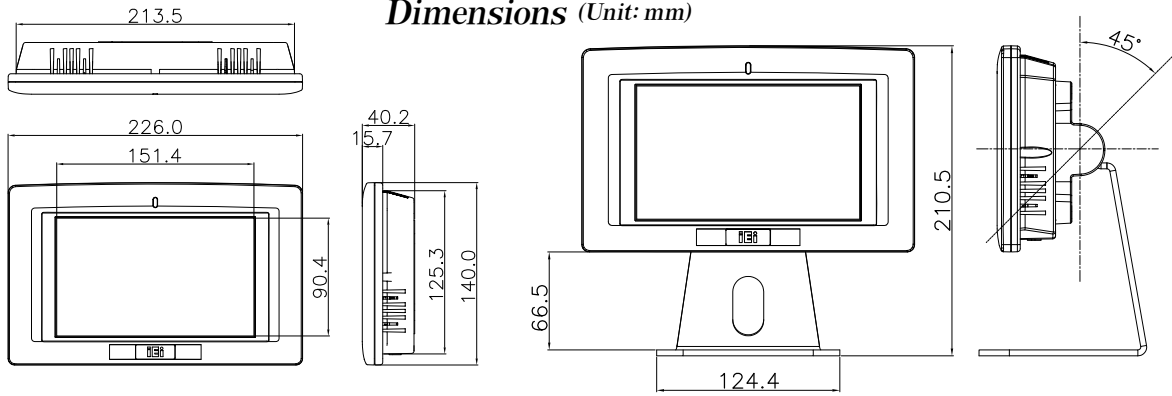
5-in-1 Multiple Video Input System (DVI-D Add-)



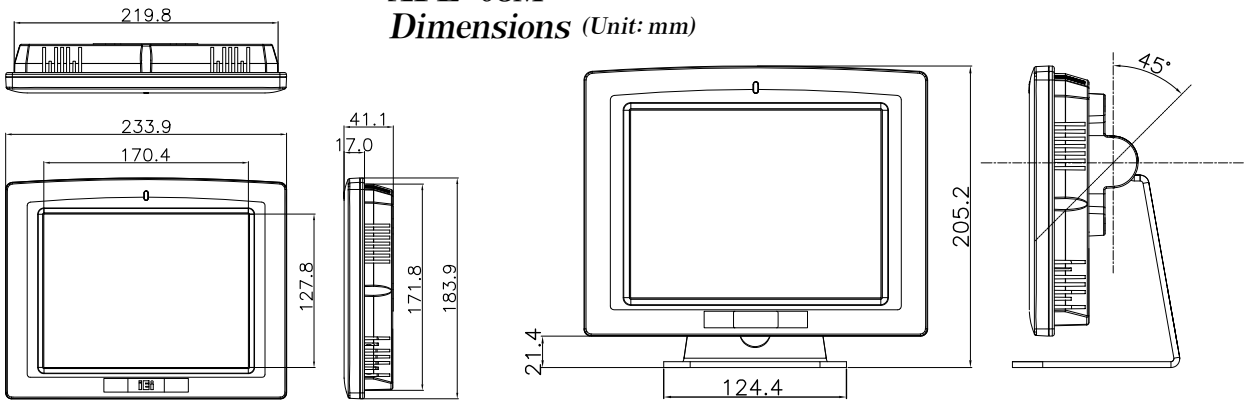
AFOLUX 19" Wide WXGA + Touch Monitor



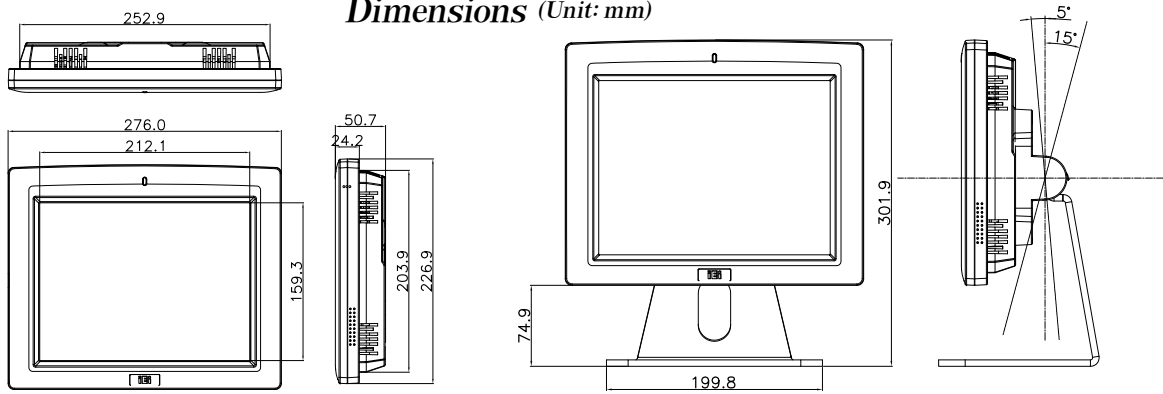
**AFL-07M**  
Dimensions (Unit: mm)



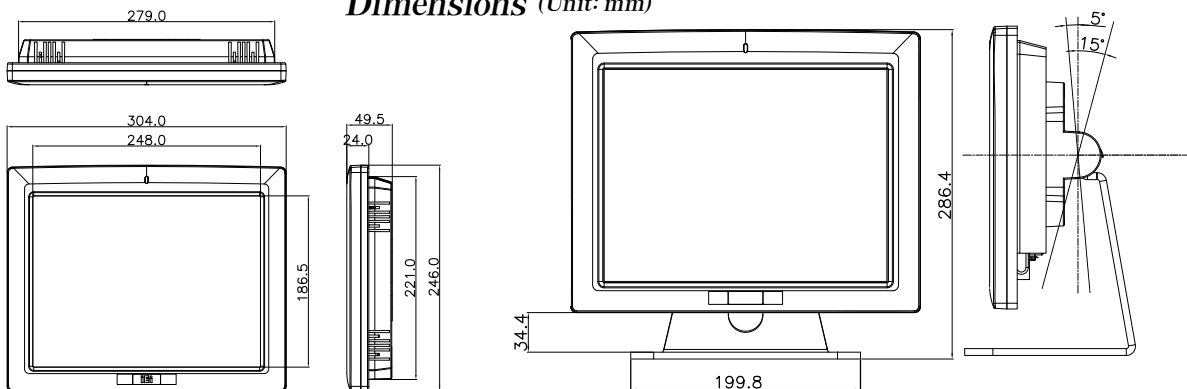
**AFL-08M**  
Dimensions (Unit: mm)



**AFL-10M**  
Dimensions (Unit: mm)



**AFL-12M**  
Dimensions (Unit: mm)



1

IEI Mobile Solutions

2

Automation Panel Solutions

3

Video Wall Controller/ Splitter

4

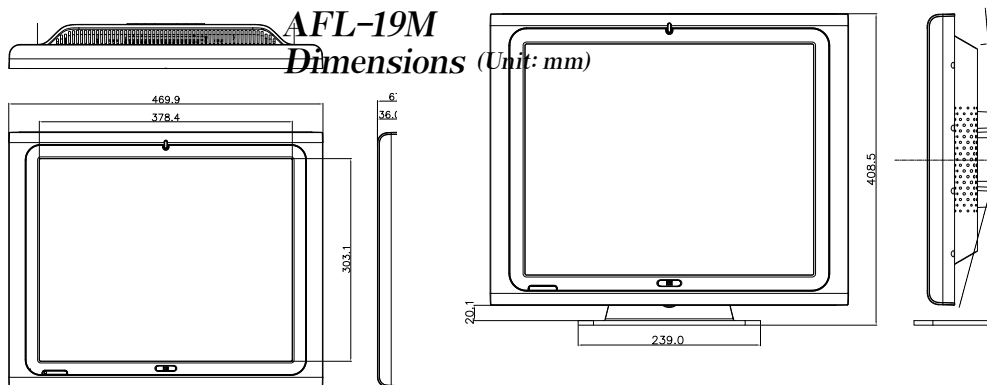
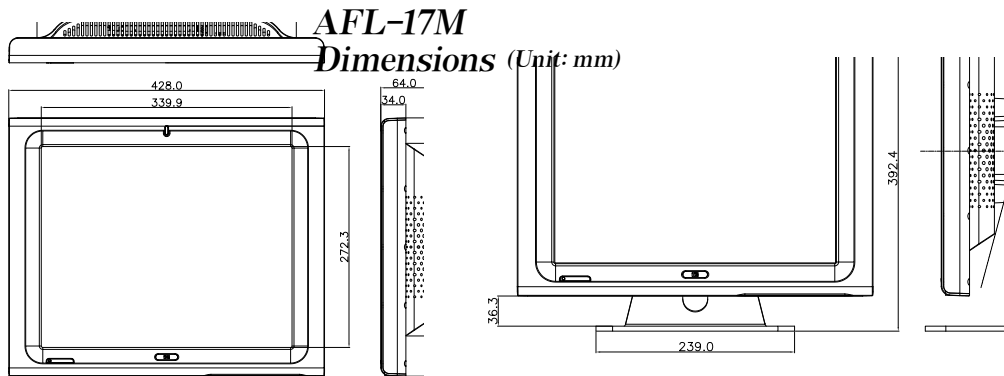
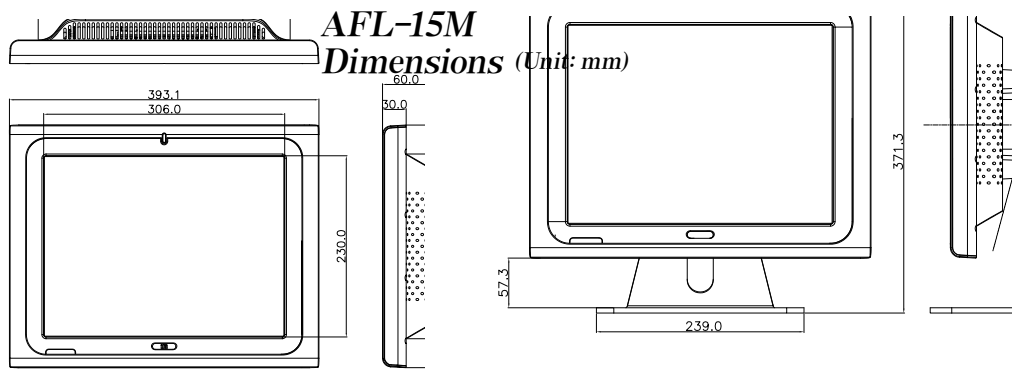
RISC-based Solutions

5

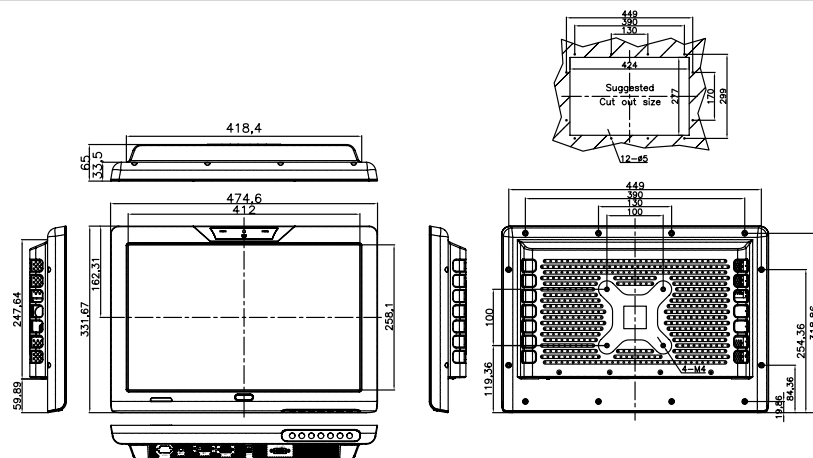
PACsmate Medical Solutions

6

Optional Peripherals



### AFL-W19M Dimensions (Unit: mm)



1

IEI Mobile Solutions

2

Automation Panel Solutions

3

Video Wall Controller/ Splitter

4

RISC-based Solutions

5

PACsmate Medical Solutions

6

Optional Peripherals

## Options

Model	AFL-07M	AFL-08MH	AFL-10M	AFL-12M	AFL-15M	AFL-17M	AFL-19M	AFL-W19M
Panel Mounting Kits	AFLPK-08		AFLPK-12		AFLPK-15	AFLPK-17	AFLPK-19	AFLPK-W19A
Wall Mounting Kits	AFLWK-12				AFLWK-19			
Rack Mounting Kits	AFLRK-07	AFLRK-08	AFLRK-10	AFLRK-12	AFLRK-15-R11	AFLRK-17-R11	N/A	
LCD Monitor Stand	STAND-A08/STAND-100-RS		STAND-A12/STAND-100-RS		STAND-A19/STAND-B19/STAND-210-R11			
VSTAND	VSTAND-A07	VSTAND-A10		VSTAND-A12	N/A			
DC to DC Converter Module	IDD-930160-KIT							

## Ordering Information

Part NO	Description
AFL-07M/R-R20	7" 500cd/m <sup>2</sup> WVGA LCD monitor, plastic front panel, gray color, with 7" RS-232 and USB touch screen R20, RoHS
AFL-08MH/R-R20	8.4" 450cd/m <sup>2</sup> SVGA LCD monitor, plastic front panel, gray color, with 8.4" RS-232 and USB touch screen R20, RoHS
AFL-10M/R-R20	10.4" 350cd/m <sup>2</sup> SVGA LCD monitor, plastic front panel, gray color, with 10.4" RS-232 and USB touch screen R20, RoHS
AFL-12M/R-R20	12.1" 500cd/m <sup>2</sup> XGA LCD monitor, plastic front panel, gray color, with 12.1" RS-232 and USB touch screen R20, RoHS
AFL-15M/R-R20	15" 350cd/m <sup>2</sup> XGA LCD monitor, plastic front panel, gray color, with 15" RS-232 touch screen R20, RoHS
AFL-15ME/R-R20	15" 250cd/m <sup>2</sup> XGA LCD monitor, plastic front panel, gray color, with 15" RS-232 touch screen R20, RoHS
AFL-15M-USB/R-R20	15" 350cd/m <sup>2</sup> XGA LCD monitor, plastic front panel, gray color, with 15" USB touch screen R20, RoHS
AFL-15ME-USB/R-R20	15" 250cd/m <sup>2</sup> XGA LCD monitor, plastic front panel, gray color, with 15" USB touch screen R20, RoHS
AFL-17M/R-R20	17" 300cd/m <sup>2</sup> SXGA LCD monitor, plastic front panel, gray color, with 17" RS-232 touch screen, RoHS
AFL-17M-USB/R-R20	17" 300cd/m <sup>2</sup> SXGA LCD monitor, plastic front panel, gray color, with 17" USB touch screen R20, RoHS
AFL-19M/R-R20	19" 300cd/m <sup>2</sup> SXGA LCD monitor, plastic front panel, gray color, with 19" RS-232 touch screen R20, RoHS
AFL-19M-USB/R-R20	19" 300cd/m <sup>2</sup> SXGA LCD monitor, plastic front panel, gray color, with 19" USB touch screen R20, RoHS
AFL-W19M/R-R20	19" 300cd/m <sup>2</sup> WXGA+ Widescreen LCD monitor with VGA and DVI-D input, with 19" RS-232 and USB touch screen, plastic front panel, R20, RoHS
AFL-W19MM/R-R20	19" 300cd/m <sup>2</sup> WXGA+ Widescreen LCD monitor with VGA and DVI-D input, 9-36V DC input, with 19" RS-232 and USB touch screen, plastic, front panel, R20, RoHS

## Packing List

Description	Part No.	Remark
1 x AC power cable	32000-089900-RS	Length: 1800mm (EU or US, Which type of cord is shipped depends on the contry)
1 x VGA cable	32000-036200-RS	Length: 1800mm
1 x DVI cable	32000-086600-RS	Length: 1800mm For AFL-15M / 17M / 19M-R20
1 x Audio Cable	32007-001600-100-RS	Length: 1800mm
1 x Component Cable	32010-000300-100-RS	Length:150mm
1 x Component Extend Cable	32000-132800-RS	Length: 1800mm
1 x 36W AC power adapter	63000-FSP036RAB610-RS	For AFL-07M / 08M / 10M / 12M-R20 series Operating Temperature : 0°C~ +40°C
1 x 60W AC Power Adapter	63000-FSP060DBAB1553-RS	For AFL-15M / 17M / 19M / W19M-R20 series Operating Temperature : 0°C~ +40°C
1 x User manual		
1 x Remote Control	7Z000-8T00322ICP01G-RS	
1 x Touch Pen	43125-0002C0-RS	
1 x Touch screen RS-232 Cable / USB Cable / Driver CDROM	RS-232 Cable:32005-001100-100-RS USB Cable: 32001-006100-100-RS	Length: 1800mm Length: 1500mm (For AFL-07M~12M and AFL-15M~W19M USB model)



Remote Control



Touch Pen



Component Extension Cable



## Optional 60W DC/DC Converter Module Spec. (P/N:IDD-930160-KIT)

Input Voltage	9-30VDC
Input Current	Max. 8A at 6VDC
Output	12V@5A
Max. Total Output	60W
Performance Characteristics	Noise & ±Ripple:<320mV, Line Regulation: <120mV, Load Regulation: <120mV
Transient toggle rate	250Hz (50% duty ratio)
Transient current step	From 0% to 50% and 50% to 100% of max current
Efficiency	typ. 95% (Vin=12V, 80% of full load)
Dimensions	42mm x 103mm x 31mm
Mounting Kit	12mm x 80mm
Cable Length	180cm
Operating Temperature	-40°C~85°C



IDD-930160-KIT



60 W DC/DC converter module can be easily mounted in the vehicle equipment to supply DC power source.

IDD-930160-KIT(Optional)

1

IEI Mobile Solutions

2

Automation Panel Solutions

3

Video Wall Controller/ Splitter

4

RISC-based Solutions

5

PACsmate Medical Solutions

6

Optional Peripherals