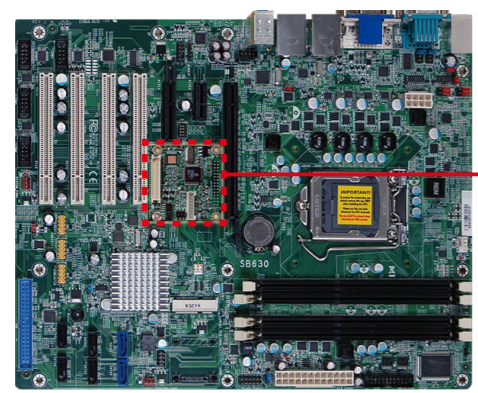


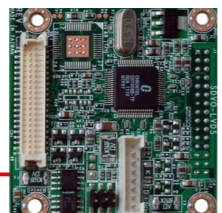
**SB630-CRM + SDVO-LVDS**



## Features

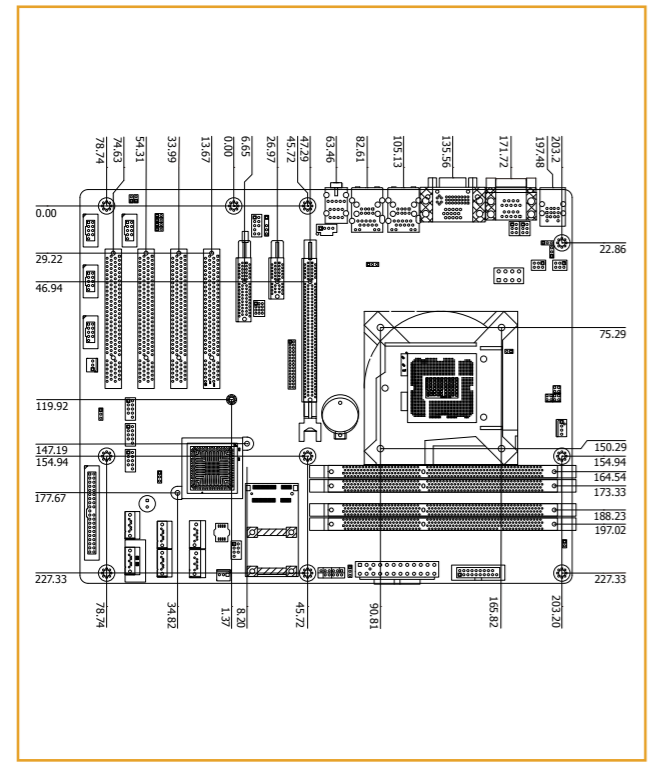
<b>CHIPSET</b>	<b>Intel® Q67 PCH</b>
<b>CPU</b>	<b>Intel® Core™ i7/i5/i3 Intel® Pentium®</b>
<b>MEMORY</b>	<b>4 DDR3 DIMM up to 32GB</b>
<b>EXPANSION</b>	<b>1 PCIe x16, 1 PCIe x4, 1 PCIe x1 or 1 Mini PCIe x1, 4 PCI</b>
<b>DISPLAY OUTPUTS</b>	<b>1 DVI-I (DVI-D signal), 1 VGA</b>
<b>LAN</b>	<b>2 Gigabit LAN</b>
<b>COM</b>	<b>6 COM</b>
<b>USB</b>	<b>12 USB 2.0</b>
<b>SATA</b>	<b>6 SATA (2 SATA 3.0, 4 SATA 2.0)</b>
<b>DIO</b>	<b>8-bit DIO</b>

### SDVO-LVDS Daughterboard (optional)

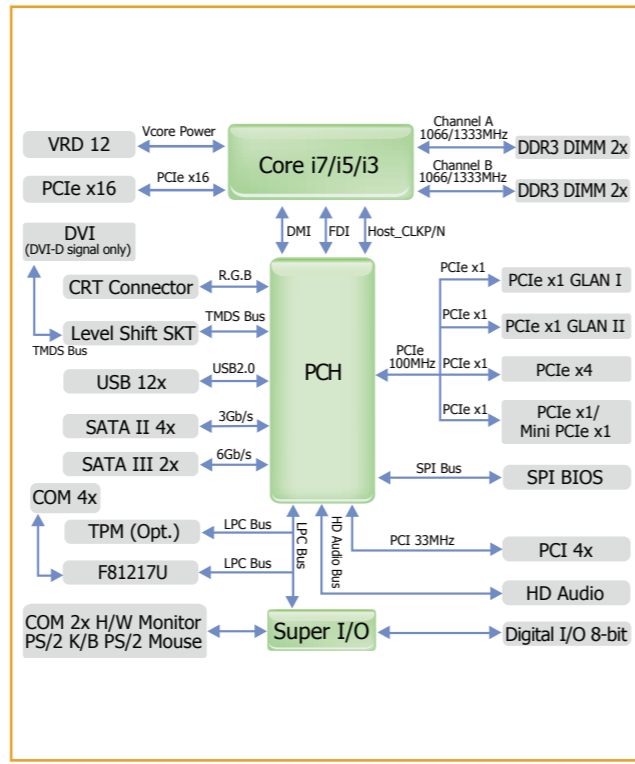


- I/O PORTS**
- Chrontek CH7308B
  - Supports 18/24-bit 1600x1200 LVDS panel
  - 1 LVDS LCD panel connector
  - 1 LCD/Inverter power connector
  - SDVO interface
  - Supports dimming control via hot keys
- DIMENSIONS**
- 45mm (1.77") x 38mm (1.49")

## Mechanical Drawing



## Block Diagram



## Specifications

- PROCESSOR**
- LGA 1155 socket for:
    - Intel® Core™ i7-2600 (3.4GHz, 95W)
    - Intel® Core™ i5-2400 (3.1GHz, 95W)
    - Intel® Core™ i3-2120 (3.3GHz, 65W)
    - Intel® Pentium® G850
  - New microarchitecture on 32nm process technology
  - Intel® Advanced Vector Extensions (Intel® AVX) Instructions
  - Intel® Turbo Boost Technology

- CHIPSET**
- Intel® Q67 PCH (Platform Controller Hub)

- SYSTEM MEMORY**
- Four 240-pin DDR3 DIMM sockets
  - Supports DDR3 1066/1333MHz
  - Supports dual channel memory interface
  - Supports up to 32GB system memory
  - DRAM device technologies: 1Gb, 2Gb and 4Gb DDR3 DRAM technologies are supported for x8 and x16 devices, unbuffered, non-ECC

- EXPANSION SLOTS**
- 1 PCIe x16 Gen 2 slot (PCIe 2.0)
  - 1 PCIe x4 slot (PCIe 2.0)
  - 1 PCIe x1 slot (PCIe 2.0) or 1 Mini PCIe x1 slot (PCIe 2.0)
  - 4 PCI slots (PCI 2.3)

- ONBOARD GRAPHICS FEATURES**
- Intel® HD Graphics
  - Display ports: DVI-I (DVI-D signal) and VGA
  - DVI-I supports up to 1920x1200 @ 60Hz resolution
  - VGA supports up to 2048x1536 @ 75Hz resolution
  - Supports 6 Graphics Execution Units (EUs)
  - Intel® Clear Video Technology
  - DirectX Video Acceleration (DXVA) support for accelerating video processing

- ONBOARD AUDIO FEATURES**
- Realtek ALC886 5.1-channel High Definition Audio
  - Audio outputs: Mic-in/Center+Subwoofer, line-in/surround and line out
  - S/PDIF audio interface

- ONBOARD LAN FEATURES**
- Intel® WG82579LM with iAMT7.0 Gigabit Ethernet Phy
  - Intel® WG82574L PCI Express Gigabit Ethernet controller
  - Integrated 10/100/1000 transceiver
  - Fully compliant with IEEE 802.3, IEEE 802.3u, IEEE 802.3ab
  - Supports wire management

- SERIAL ATA (SATA) INTERFACE**
- 6 Serial ATA ports
  - 4 SATA 2.0 ports with data transfer rate up to 3Gb/s (SATA port 4 provides adequate space for SATA DOM)
  - 2 SATA 3.0 ports with data transfer rate up to 6Gb/s
  - Integrated Advanced Host Controller Interface (AHCI) controller
  - Supports RAID 0/1/5/10

- INTEL ACTIVE MANAGEMENT TECHNOLOGY (AMT)**
- Supports iAMT7.0
  - Out-of-band system access
  - Remote troubleshooting and recovery
  - Hardware-based agent presence checking
  - Proactive alerting
  - Remote hardware and software asset tracking

- TRUSTED PLATFORM MODULE (TPM) - optional**
- Provides a Trusted PC for secure transactions
  - Provides software license protection, enforcement and password protection

- REAR PANEL I/O PORTS**
- 1 mini-DIN-6 port for PS/2 mouse/keyboard
  - 2 DB-9 serial ports
  - Supports RS232/422/485 (RS232 and/or Power)
  - 1 DB-15 VGA port
  - 1 DVI-I port (DVI-D signal)
  - 2 RJ45 LAN ports
  - 6 USB 2.0/1.1 ports
  - Line-in/Surround, Line out, Mic-in/Center+Subwoofer jacks

- I/O CONNECTORS**
- 3 connectors for 6 external USB 2.0/1.1 ports
  - 4 connectors for 4 external RS232 serial ports
  - 1 SDVO connector for the optional SDVO-LVDS daughterboard
  - 1 8-bit Digital I/O connector
  - 1 front audio connector for line-out and mic-in jacks
  - 1 CD-in connector
  - 1 S/PDIF connector
  - 6 Serial ATA ports
  - 1 IDE connector
  - 1 24-pin ATX power connector
  - 1 8-pin 12V power connector
  - 1 chassis intrusion connector
  - 1 front panel connector
  - 3 fan connectors

- BIOS**
- AMI BIOS
  - 64Mbit SPI BIOS

- ENERGY EFFICIENT DESIGN**
- Supports ErP Lot6 power saving (optional)
  - Supports ACPI
  - System Power Management
  - Wake-On-Events include:
    - Wake-On-PS/2 KB/Mouse
    - Wake-On-USB KB/Mouse
    - Wake-On-LAN
    - RTC timer to power-on the system
  - CPU stopped clock control
  - AC power failure recovery

- DAMAGE FREE INTELLIGENCE**
- Monitors CPU/system temperature and overheat alarm
  - Monitors Vcore/5V/3.3V/V\_DIMM/12V/5VSB voltages and failure alarm
  - Monitors CPU/system fan speed and failure alarm
  - Read back capability that displays temperature, voltage and fan speed
  - Watchdog timer function

- TEMPERATURE**
- Operating: 0°C to 60°C
  - Storage: -20°C to 85°C

- HUMIDITY**
- 10% to 90%

- DIMENSIONS**
- ATX form factor
  - 305mm (12") x 244mm (9.6")

## Packing List

- 1 SB630-CRM motherboard
- 2 Serial ATA data cables
- 2 USB port cables (with bracket)
- 2 COM port cables (with bracket)
- 1 IDE cable
- 1 I/O shield
- 1 DVD
- 1 QR (Quick Reference)

## Optional Items

- SDVO-LVDS daughterboard
- USB port cable
- COM port cable
- Serial ATA data cable
- Serial ATA power cable
- PS/2 Keyboard/Mouse cable