

VTC484064



- Low Profile
- Low Cost
- Universal Input
- Optional Floating Output
- High Power Density
- 36, 45, 70 & 100 W Versions
- International Safety Approvals

Specification

Input

Input Voltage	• 96-264 VAC
Input Frequency	• 47-63 Hz
Input Current	• VTC484064: 1.85 A
Inrush Current	• VTC484064: 100 A max at 230 VAC
Earth Leakage Current	• VTC484064: 1.5 mA max
Power Factor	• Compliant with EN61000-3-2

Output

Output Voltage	• See tables
Initial Set Accuracy	• $\pm 2\%$
Minimum Load	• No minimum load requirement
Hold Up Time	• VTC484064: 8 ms min at 115 VAC
Line Regulation	• $\pm 1\%$
Load Regulation	• See tables
Ripple & Noise	• 1% pk-pk max
Overvoltage Protection	• Typical 125% max
Overload Protection	• 120-150% hiccup / trip and restart mode with auto recovery
Short Circuit Protection	• Continuous
Temperature Coefficient	• $\pm 0.04\%$ / $^{\circ}\text{C}$

General

Efficiency	• 85% typical
Isolation	• 3000 VAC Input to Output, 2000 VAC Input to Ground. Negative output is connected to ground. For optional 500 VAC output to ground isolation add suffix "-F" to model number
Switching Frequency	• 60 kHz ± 10 kHz
MTBF	• 100,000 hours MIL-HDBK-217E

Environmental

Operating Temperature	• 0 $^{\circ}\text{C}$ to +65 $^{\circ}\text{C}$ AED70 derate linearly from 100% load at 40 $^{\circ}\text{C}$ to 50% load at +55 $^{\circ}\text{C}$,
Storage Temperature	• -20 $^{\circ}\text{C}$ to +85 $^{\circ}\text{C}$

EMC & Safety

Emissions	• CISPR22 Level B (EN55022) FCC 20780 Level B
ESD Immunity	• EN61000-4-2, 8 kV air 4 kV contact Perf Criteria B
Radiated Immunity	• EN61000-4-3, 3 V/m Perf Criteria B
EFT/Burst	• EN61000-4-4, level 2 Perf Criteria B
Safety Approvals	• EN60950 UL1950 CSA C22.2 No. 234 cUL

Models and Ratings

Output Power Maximum	Output Voltage Nominal	Output Current Maximum	Load Regulation (1)	Model Number
69 W	15.0 V	4.60 A	3%	VTC484064

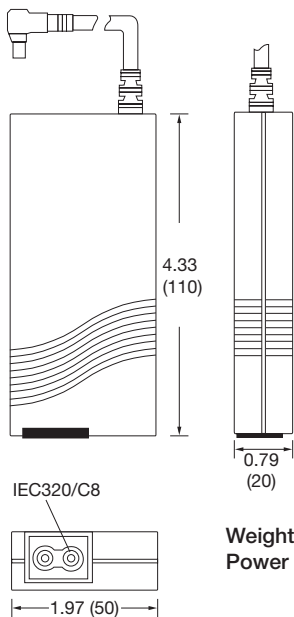
Notes

1. Load regulation is measured from 60% to full load and from 60% to 20% load (60% ±40% full load).

Mechanical Details

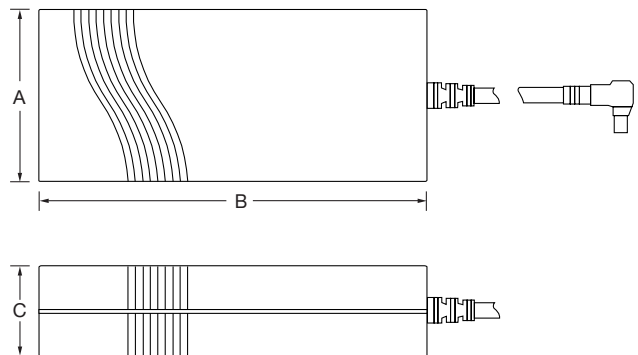
All dimensions shown in inches (mm).

36 Watt Models



Weight: 0.37 lbs (170 g) approx.
 Power Cord Order Part: UK - UK-MAINS-8
 European - EU-MAINS-8
 US - US-MAINS-8

45-100 Watt Models



Weight: 0.66 lbs (300 g) approx.
 Power Cord Order Part: UK - UK-MAINS-IEC
 European - EU-MAINS-IEC
 US - US-MAINS-IEC

DIMENSIONS			
	A	B	C
70 W	2.29 (58.0)	5.20 (132.0)	1.18 (30.0)
70 W	2.29 (58.0)	5.20 (132.0)	1.18 (30.0)
70 W	2.29 (58.0)	5.20 (150.0)	1.18 (35.0)

Notes

Output connector is 5.5mm dia. outer barrel, inner dia. is 2.5mm with a center + and outer shell - polarity.

Optional output connectors available.
 Output cable is 48" (1.22m).