

ENP-2220A

• **200W**



Features

- TFX12V Rev 1.2 compliant
- High Efficiency
- Remote On/Off
- Power good TTL Signal
- Short Circuit, Over Current & Voltage Protection
- Auto-Sensing Thermal Control
- Low Acoustic Noise

Apply For

- All Intel Processors up to P4
- All AMD Processors up to Athlon XP



Electrical Specifications

- Input Voltage 100 ~ 127 VAC
200 ~ 240 VAC
Manual Select
- Frequency 50 ~ 60 Hz
- Input current 5.0 Arms @ 115 VAC
3.0 Arms @ 230 VAC
- Holdup Time > 14 ms @ Full Load

Environmental Specifications

- Operating/Storage Temp. 10~50°C/-20~60°C
- Operating/Storage Humidity 85% / 95%
- Operating/Storage Altitude 10,000/50,000 FT
- MTBF 100,000 HRS
- Safety Approvals UL/CUL, CB, TUV
- EMC Regulations FCC, CE

Output Specifications

Voltage	Regulation Load	Minimum Load	Maximum Load	Peak
+3.3V	+5%, -3%	0.3A	17.0A	--
+5.0V	+/- 5%	1.0A	21.0A	--
+12.0V	+/- 5%	0.5A	10.0A	13.0A
-12.0V	+/- 10%	0A	0.8A	--
-5.0V	+/- 10%	0A	0.3A	--
+5 Vsb	+/- 5%	0A	1.5A	--

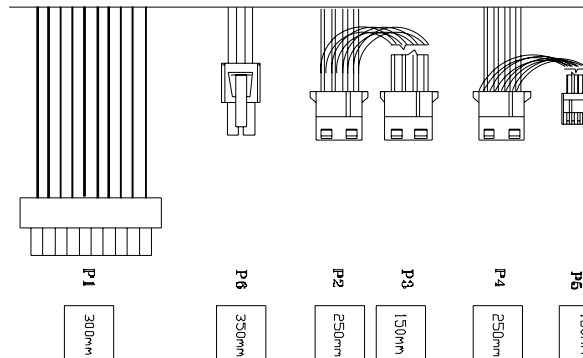
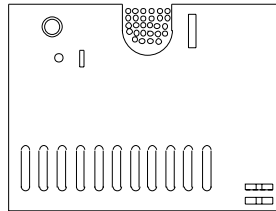
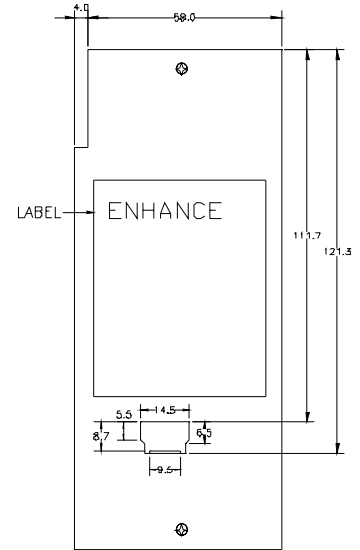
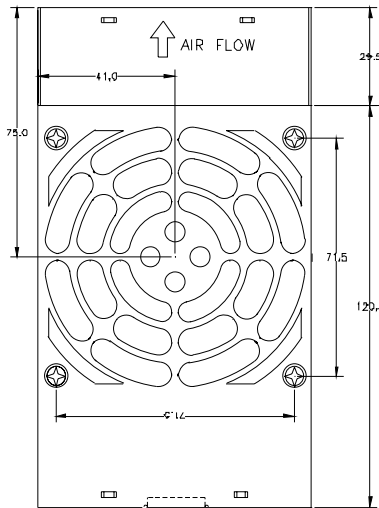
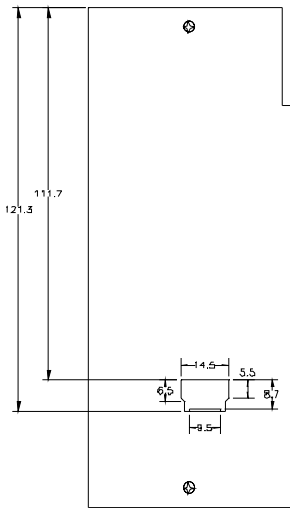
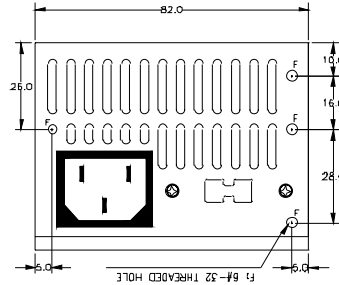
(* Total maximum combines load output on +3.3V and +5V rails is 110 Watts.

Obsolete Part

ENP-2220A

Mechanical Drawing

200W



Obsolete Part

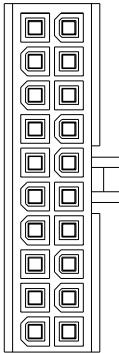
ENP-2220A

• **200W**

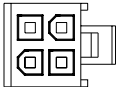
Wire Harness

Description

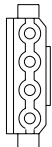
P1 - Main Power



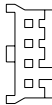
P2 - 4 Pin Processor Power



P3 to P5 - Peripheral



P6 - Floppy



Connector Housing

Molex 39-01-2200 or Equivalent

1	Orange	+3.3V	11	Orange	+3.3V
2	Orange	+3.3V	12	Blue	-12VDC
3	Black	GND	13	Black	GND
4	Red	+5V	14	Green	PS_ON
5	Black	GND	15	Black	GND
6	Red	+5V	16	Black	GND
7	Black	GND	17	Black	GND
8	Gray	PWR OK	18	White	-5V
9	Purple	5 VSB	19	Red	+5V
10	Yellow	+12V	20	Red	+5V

Molex 39-01-2040 or Equivalent

1	Black	GND	3	Yellow	+12V
2	Black	GND	4	Yellow	+12V

Molex 8981-04P or Equivalent

1	Yellow	+12V
2	Black	GND
3	Black	GND
4	Red	+5V

AMP 171822-4 or Equivalent

1	Red	+5V
2	Black	GND
3	Black	GND
4	Yellow	+12V

Dimension (WxLxH)

- 62 x 150 x 82 (mm)
- 2.44 x 5.91 x 3.22 (inch)

Cooling Fan

- 12V DC, 80mm

Notes

- Specification subject to change without notice. All new processors support will be updated once official announced by vendors
- All company logo and legal name belong to original company. All copyright reserved by Enhance Electronics.
- One-Year Standard Warranty
- Last Update: 3/6/2008

Obsolete Part