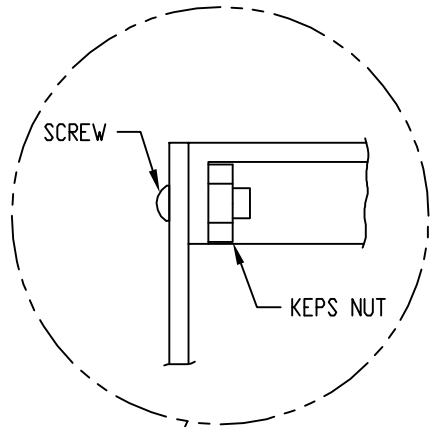


PART NAME

RAK-MOUNT CHASSIS

PART No.

RM-14212 TO RM-14215  
RM-14222 TO RM-14225

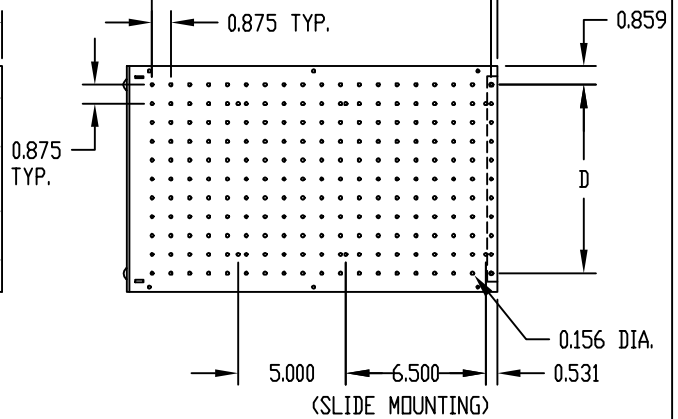
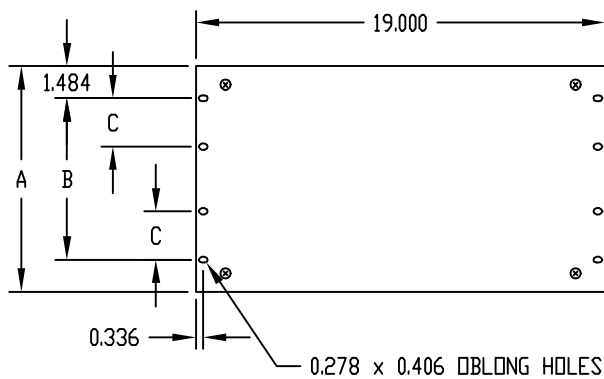
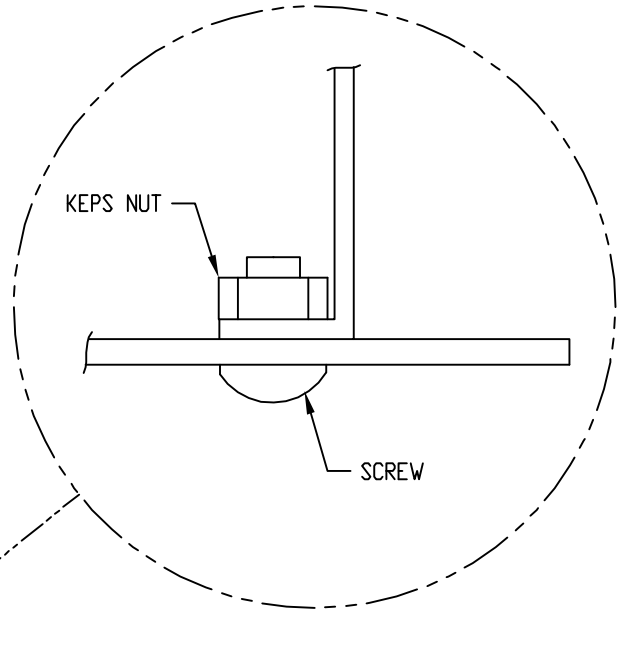
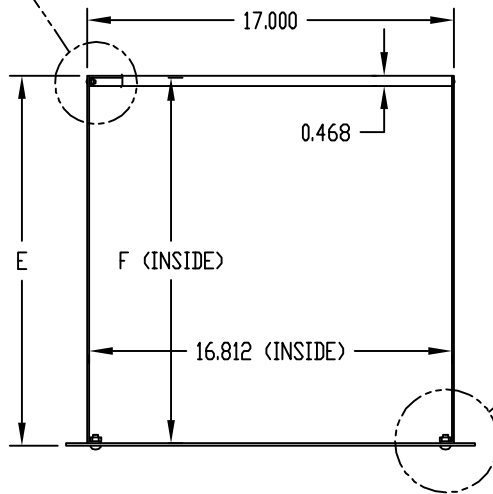


MATERIAL:

FRONT PANEL \_\_\_\_\_ 0.120 THK. ALUMINUM  
SIDE & REAR PANELS \_\_\_\_\_ 0.090 THK. ALUMINUM

FINISH:

ALL PARTS \_\_\_\_\_ NATURAL



PART No.	DIMENSION A	DIMENSION B	DIMENSION C	DIMENSION D	DIMENSION E	DIMENSION F	DIMENSION G
RM-14212	5.218	2.250	-----	3.500	17.187	16.969	15.750
RM-14213	6.968	4.000	-----	5.250	17.187	16.969	15.750
RM-14214	8.718	5.750	-----	7.000	17.187	16.969	15.750
RM-14215	10.468	7.500	2.250	8.750	17.187	16.969	15.750
RM-14222	5.218	2.250	-----	3.500	22.000	21.781	20.125
RM-14223	6.968	4.000	-----	5.250	22.000	21.781	20.125
RM-14224	8.718	5.750	-----	7.000	22.000	21.781	20.125
RM-14225	10.468	7.500	2.250	8.750	22.000	21.781	20.125