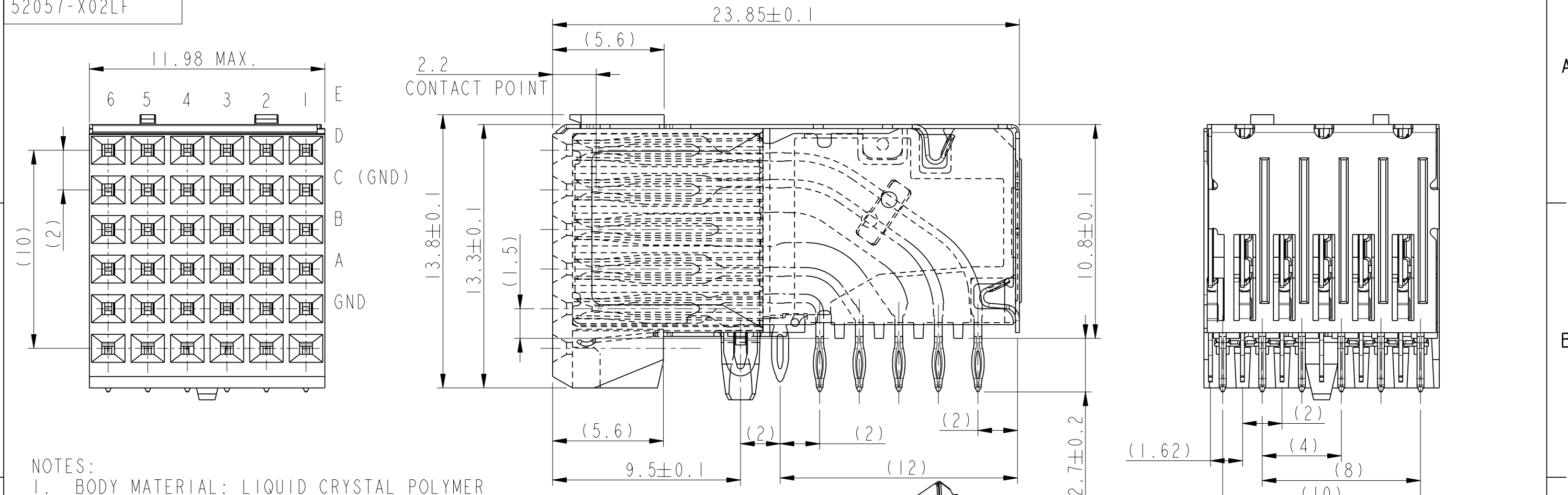


Tous droits strictement réservés. Reproduction ou communication à des tiers interdite sous quelque forme que ce soit sans autorisation écrite du propriétaire. Propriété de c FCI. Droits de reproduction FCI.

Product-number
52057-X02
52057-X02LF



NOTES:

1. BODY MATERIAL: LIQUID CRYSTAL POLYMER
30% GLASS FILLED
FLAME RETARDANT ACC. UL 94-V0
2. METAL PARTS: PHOSPHOR BRONZE
3. PLATING ON PRESS FIT AREA
52057-X02 IS SnPb
52057-X02LF IS Sn (LEAD FREE)
4. INDICATED HOLE IS UNPLATED.
5. 1.53 mm DIA HOLES (2) AT 8.00 CENTERS ARE FOR GROUND
6. AVOID TRACES ON TOP OF BOARD DUE TO EXPOSED GROUND SHIELD.
7. UNDERPLATING FOR SHIELDS AND SIGNAL CONTACTS IS 1.3µm Ni MINIMUM.
8. COMPONENT KEEP OUT ZONE FOR PRESS BLOCK.
9. PRODUCT MARKING: DATE AND LOT CODE.
10. SEE GS-20-017 FOR APPLICATION TO PCB.
11. PCB THICKNESS 1.3 TO 2.5 mm
12. SEE PRODUCT SPECIFICATION GS-12-184 FOR PRODUCT PERFORMANCE CHARACTERISTICS.
13. FOR LEAD FREE PART NUMBERS, ADD "LF" SUFFIX
14. THE PRODUCT (LF) MEETS EUROPEAN UNION DIRECTIVES AND OTHER COUNTRY REGULATIONS AS DESCRIBED IN GS-22-008

FCI

C

D

All rights strictly reserved. Reproduction or issue to third parties in any form whatever is not permitted without written authority from the proprietor. Property of FCI. Copyright FCI.

ltr	ecn no	dr	date
A	H20017	VWO	020122
B	H20050	VWO	020221
C	CON R C	GNV	020829
D	103-0001	BKP	030422
E	103-0048	BKP	031011
F	104-0008	BKP	040206
G	105-0144	AB	23-08-05

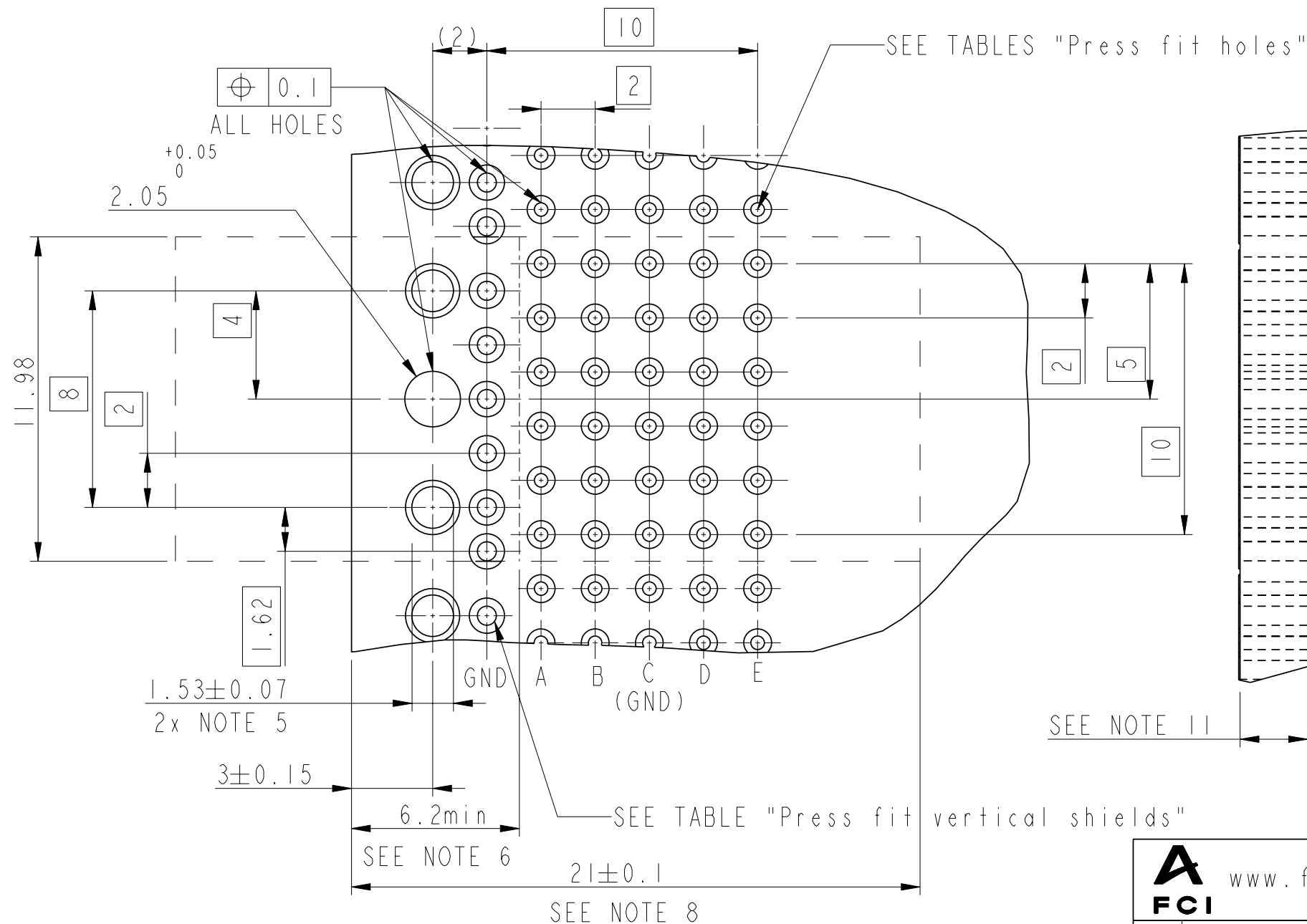
FCI	www.fciconnect.com		surface - ✓ ISO 1302	tolerance ISO 406 ISO 1101	projection 	mm ↔	
	Dr	H v Woensel	17/08/01	Product family	METRAL 4000	size	A3
Eng	H v Woensel	17/08/01	Spec ref	-	ECN	Scale	5:1
Chr	R Oerlemans	17/08/01	Material	SEE NOTES			
Appr	H v Woensel	17/08/01					
5x6 Receptacle				52057c		Rev. G	
Signal Assembly							
catalog no				52057-X02-		sheet 1 of 3	

Tous droits strictement réservés. Reproduction ou communication à des tiers interdite sous quelque forme que ce soit sans autorisation écrite du propriétaire. Property of FCI. Droits de reproduction FCI.

FCI

All rights strictly reserved. Reproduction or issue to third parties in any form whatever is not permitted without written authority from the proprietor. Property of FCI. Copyright FCI.

	Signal PTH Details			Vertical Shield PTH Details	
	SnPb Finish	Sn Finish	Cu Finish	SnPb Finish	Sn Finish
Drilled Hole	0.58 - 0.62 mm	0.58 - 0.62 mm	0.58 - 0.62 mm	0.81 - 0.86 mm	0.81 - 0.86 mm
Copper Plating	25 - 50 μ m	25 - 50 μ m	25 - 50 μ m	25 μ m MIN	25 μ m MIN
SnPb Plating	5 - 15 μ m	-----	-----	5 - 15 μ m	-----
Sn Plating	-----	0.8 - 1.2 μ m	-----	-----	0.8 - 1.2 μ m
Finished Hole Dia	0.45 - 0.55 mm	0.46 - 0.55 mm	0.48 - 0.57 mm	0.65 - 0.80 mm	0.65 - 0.80 mm



Product-number	Contact plating	Shield plating
52057-102	0.8 μ m Au	0.8 μ m Au
52057-302	1.3 μ m Au	1.3 μ m Au
52057-102LF	0.8 μ m Au	0.8 μ m Au
52057-302LF	1.3 μ m Au	1.3 μ m Au

RECOMMENDED PCB HOLE PATTERN - COMPONENT SIDE

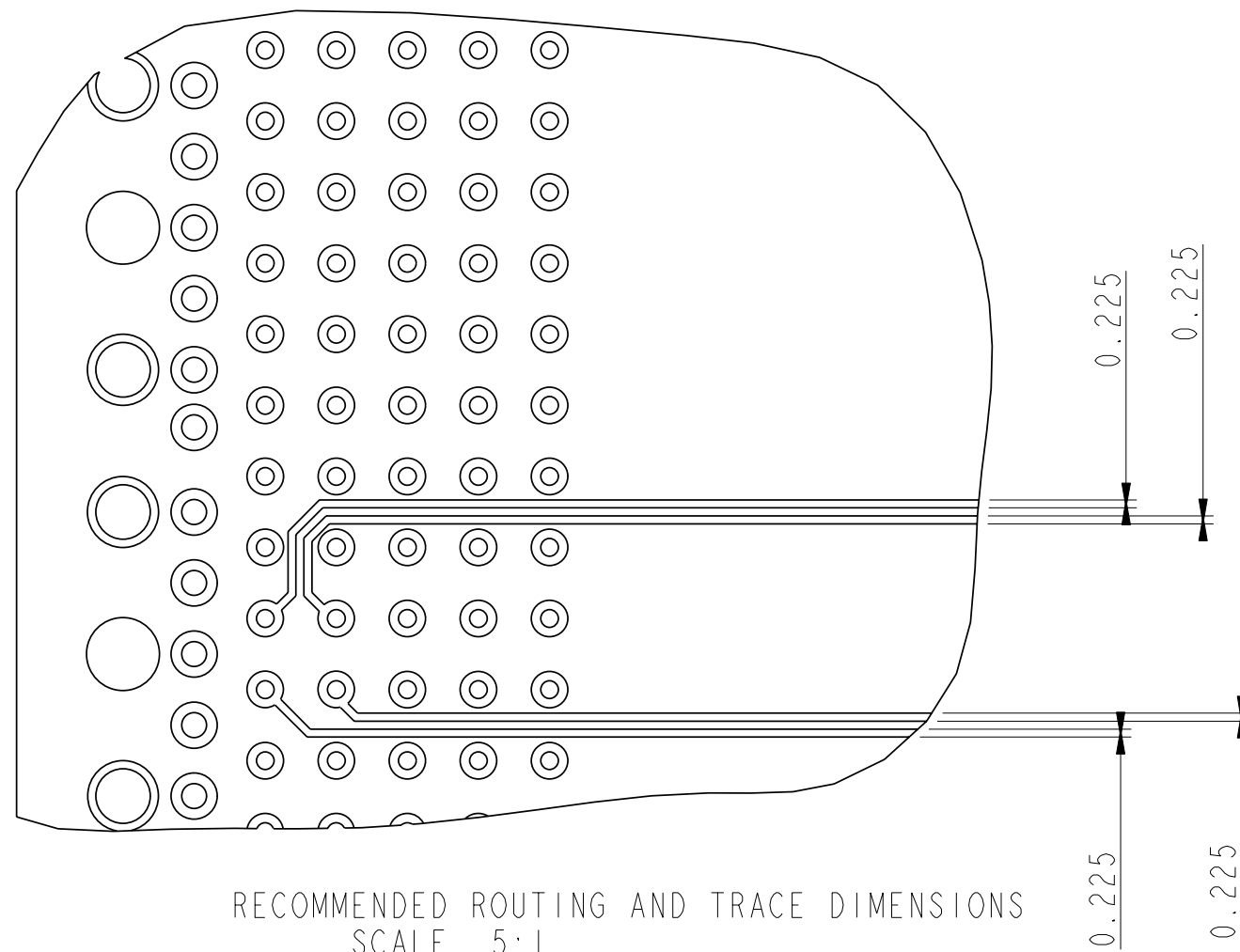
l	ecn no	dr	date
D	-	-	-
E	103-0048	BKP	031011
F	104-0008	BKP	040206
G	105-0144	AB	23-08-05
-	-	-	-
-	-	-	-
-	-	-	-

www.fciconnect.com	surface - <input checked="" type="checkbox"/> tolerance ISO 406 ISO 1101	projection	mm
	ISO 1302		
Dr H v Woensel 17/08/01	Product family METRAL 4000	size A3	Scale 5:1
Eng H v Woensel 17/08/01	Spec ref -	ECN -	
Chr R Oerlemans 17/08/01	Material SEE NOTES		
Appr H v Woensel 17/08/01			
title 5x6 Receptacle	dwg no 52057c	Rev. G	
Signal Assembly			
catalog no 52057-X02--	CUSTOMER COPY	sheet 2 of 3	Printed: Sep 12, 2005

Tous droits strictement réservés. Reproduction ou communication à des tiers interdite sous quelque forme que ce soit sans autorisation écrite du propriétaire. Propriété de c fci. Droits de reproduction FCI.

A
FCI

All rights strictly reserved. Reproduction or issue to third parties in any form whatever is not permitted without written authority from the proprietor. Property of FCI. Copyright FCI.



RECOMMENDED ROUTING AND TRACE DIMENSIONS
SCALE 5:1

ltr	ecn no	dr	date
D	-	-	-
E	103-0048	BKP	031011
F	104-0008	BKP	040206
G	105-0144	AB	23-08-05
-	-	-	-
-	-	-	-
-	-	-	-

A FCI	www.fciconnect.com		surface - <input checked="" type="checkbox"/> ISO 1302	tolerance ISO 406 ISO 1101	projection	mm
	Dr	H v Woensel	17/08/01	Product family	METRAL 4000	size A3
Eng	H v Woensel	17/08/01	Spec ref	-	Scale	5:1
Chr	R Oerlemans	17/08/01	Material	SEE NOTES	ECN	-
Appr	H v Woensel	17/08/01				
title			5x6 Receptacle		dwg no	
Signal Assembly					52057c	
catalog no			52057-X02--		Rev. G	