

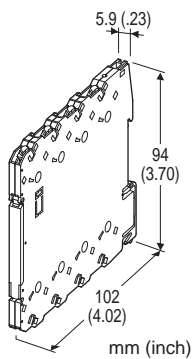
Tension-Clamp Ultra-Slim Signal Conditioners M6S Series

POWER SUPPLY MODULE

(dual redundant)

Functions & Features

- Maintenance-free tension clamp connection
- Supplies power to the M6S modules mounted on the Installation Base
- High-density mounting
- Power indicator LED
- UL approval



INSTALLATION

Power input: 2 A (Total current consumed by signal conditioners on the base must be 2 A or less.)

Operating temperature: -20 to +55°C (-4 to +131°F)

Operating humidity: 30 to 90 %RH (non-condensing)

Mounting: Installation Base (model: M6SBS)

Weight: 60 g (2.1 oz)

PERFORMANCE

Insulation resistance: $\geq 100 \text{ M}\Omega$ with 500 V DC

Dielectric strength: 2000 V AC @1 minute (power to ground)

STANDARDS & APPROVALS

CE conformity:

EMC Directive (2004/108/EC)

EN 61000-6-4 (EMI)

EN 61000-6-2 (EMS)

Approval:

UL/C-UL nonincendive Class I, Division 2,

Groups A, B, C, and D hazardous locations

(ANSI/ISA-12.12.01, CAN/CSA-C22.2 No.213)

UL/C-UL general safety requirements

(UL 61010-1, CAN/CSA-C22.2 No.61010-1)

MODEL: M6SPS2-R[1]

ORDERING INFORMATION

- Code number: M6SPS2-R[1]

Specify a code from below for [1].

(e.g. M6SPS2-R/UL)

POWER INPUT

DC Power

R: 24 V DC

(Operational voltage range 22 - 27 V, ripple 10 %p-p max.)

[1] OPTIONS

STANDARDS & APPROVALS

blank: CE marking

/UL: UL approval (CE marking)

GENERAL SPECIFICATIONS

Connection: Tension clamp

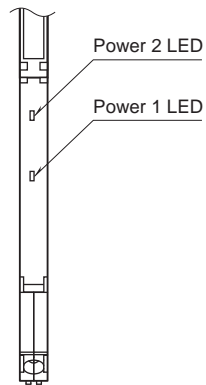
Applicable wire size: 0.2 to 2.5 mm², stripped length 8 mm

Housing material: Flame-resistant resin (black)

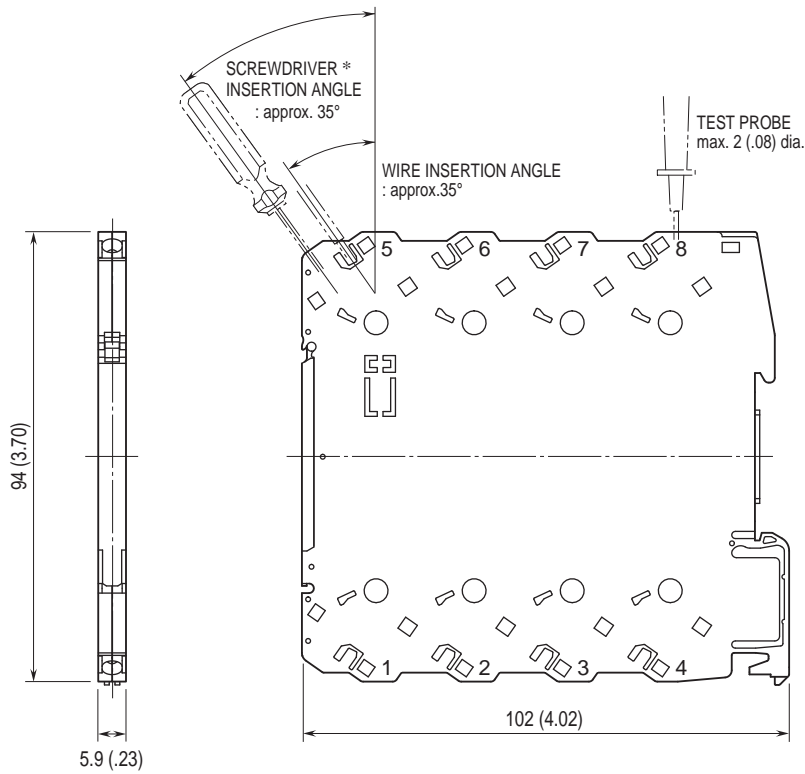
Power LED: Green light turns on when the power is supplied.

EXTERNAL VIEW

(With the cover open)

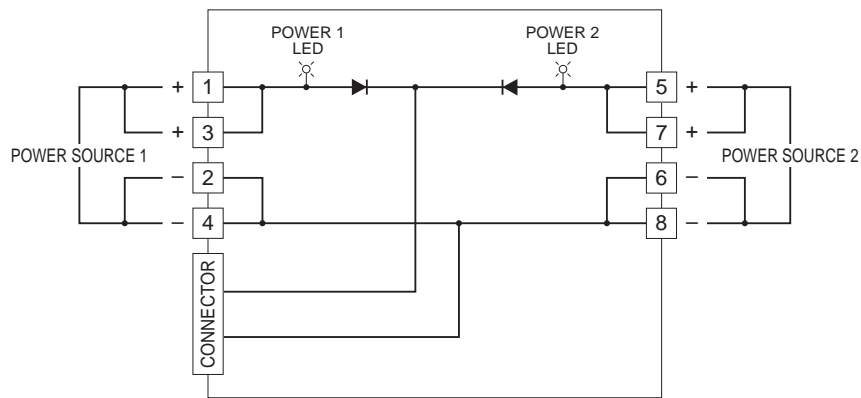


DIMENSIONS unit: mm (inch)



*Use a minus screwdriver: tip width 3.8 mm max., tip thickness 0.5 to 0.6 mm

SCHEMATIC CIRCUITRY & CONNECTION DIAGRAM



Specifications are subject to change without notice.