

OPFOBD7 & OPFOBD7PL Fiber Optic Splice Cabinet

■ Outside Plant for
Business-Critical Continuity

Key Features

- Accommodates most splice closures for installation flexibility
- Large capacity is ideal for high-density cable runs
- Hinged, removable front doors and removable cap provide easy access to equipment and cable
- Grounding system provides positive grounding of all components
- Stake, pad, or aerial mountable fits a wide variety of applications
- Cable management posts provide excess cable storage capability
- Closed-cell weather-stripped door edges protect all equipment from the weather
- Positive-action three-point lock offers security from unauthorized entry
- Rugged metal housing made of mill-galvanized steel for durability and low maintenance costs
- Our unique multi-stage paint process meets or exceeds standards, and provides a tough corrosion-resistant finish for longer life

Description

The OPFOBD7 is a large capacity weather-resistant cabinet designed to protect fiber optic splices in both buried and aerial distribution systems. The OPFOBD7's universal mounting strap accommodates most splicing closures. The fiber splice capacity is limited only by the size of the splice closure. Cable management posts allow storage of up to 150 feet (50 meters) of outside plant cable. A ground bar, weather-stripping, and mounting hardware are included for both aerial or buried distribution closures.

The aerial distribution version, OPFOBD7PL, includes pole-mounting bracket.

Buried distribution can be accomplished in three different ways: stake mounted, recessed mounted or surface pole-mounted. The standard OPFOBD7 includes stakes and recessed pad-mounting brackets.

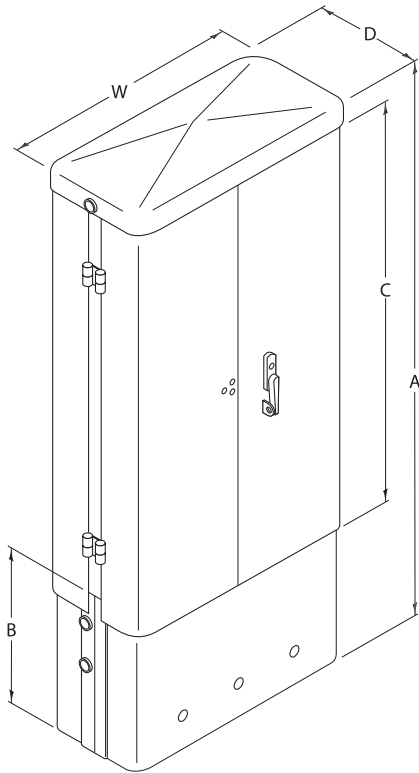
To surface pad mount, use the PADMT200300 kit with two brackets that can be attached either inside or outside of the base. This kit is not included and must be ordered separately.

Application

The OPFOBD7 serves as an above-grade housing for the storage and security of fiber optic splice closures and excess outside plant fiber optic cables.



OPFOBD7 & OPFOBD7PL Fiber Optic Splice Cabinet



OPFOBD7
Stake/Pad-Mount Version Shown

Dimensions Pad-Mount OPFOBD7

A	B	C	D	W
54.75-in.	14-in.	40-in.	11.38-in.	23.75-in.

Dimensions Pole-Mount OPFOBD7PL

A	B	C	D	W
N/A	N/A	41-in.	11.38-in.	23.75-in.

Ordering Information

Catalog Number	Part Number	Description
OPFOBD7	F112503	Buried pad-mount splice cabinet, with two stakes (MS1342) and two recessed pad-mounting brackets (BA12)
OPFOBD7PL	F112538	Aerial pole-mount splice cabinet with pole-mounting bracket (P11747) and 1 rear cable entry kit

NOTE 1: Cabinets are not interchangeable. The base is not included in the pole-mount version (Catalog Number OPFOBD7PL).

NOTE 2: OPFOBD7PL and OPFOBD7 are compatible with Emerson FiberSeal™ splice closures, AT&T® UCB1/2500/2600, Siecor SC5-002, AMP 501102-3 (OPFOBD7PL only), AMP 501346-1 (OPFOBD7 only), 3M 2177, Preformed Line Cases (6.5-in.), and Raychem 100D.

Accessories

Catalog Number	Part Number	Description
PADMT200300	F605650	Surface mounting kit with two brackets for inside or outside mounting
OPFOBD7CEK	F112496	Cable entry kit for OPFOBD7PL

NOTE: For detailed information, see the Accessories section at the end of this catalog.

Emerson Network Power.

The global leader in enabling business-critical continuity.

- AC Power
- Embedded Power
- Precision Cooling
- Connectivity
- Monitoring
- Racks & Integrated Cabinets
- DC Power
- **Outside Plant**
- Services
- Embedded Computing
- Power Switching & Controls
- Surge Protection

Emerson Network Power Energy Systems

4350 Weaver Parkway, Warrenville, IL 60555
Toll Free: 800-800-1280 (USA and Canada)
Telephone: 440-246-6999 Fax: 440-246-4876
EmersonNetworkPower.com/OSP

© 2007 Emerson Network Power Energy Systems, North America, Inc. All rights reserved.

The Emerson logo is a trademark and a service mark of Emerson Electric Co. Emerson Network Power is a division of Emerson Electric Co.

Printed in USA

