

DATA SHEET

SPECIFICATIONS **CREW BAY TEST AND ALARM PANEL (CBTAP)**

U.S. ARMY P/N: 19207ASSY12351485-FOUR BOTTLE SYSTEM
19207ASSY12352253-SIX BOTTLE SYSTEM

SPECIFICATION: 19207-ATPD 2082, COMPATIBLE WITH 19207-ATPD 2070 EDITION 6, REV. A

POWER: INPUTS: 28 VDC PER MIL-STD-1275 OPERATIONAL SIGNALS TO INDICATE THE FOLLOWING:

- PASS TEST
- FIRE ALARM
- 11 DIAGNOSTIC FAULTS (4 DETECTORS, 4 OR 6 EXTINGUISHERS, 1 AMPLIFIER), ANY ONE SIGNAL ENERGIZES FAULT LAMP

OUTPUTS: POWER TO SCEA. SYSTEM TEST COMMAND SIGNAL
MANUAL DISCHARGE COMMAND SIGNAL

SYSTEM TEST: AUTOMATIC SELF-TEST (BITE) WITH DIAGNOSTIC INDICATOR

COMPONENT TEST: COMPATIBLE WITH DSESTS SYSTEM

FINISH: WHITE PER FED-STD 595

WEIGHT: 4.4 LBS.

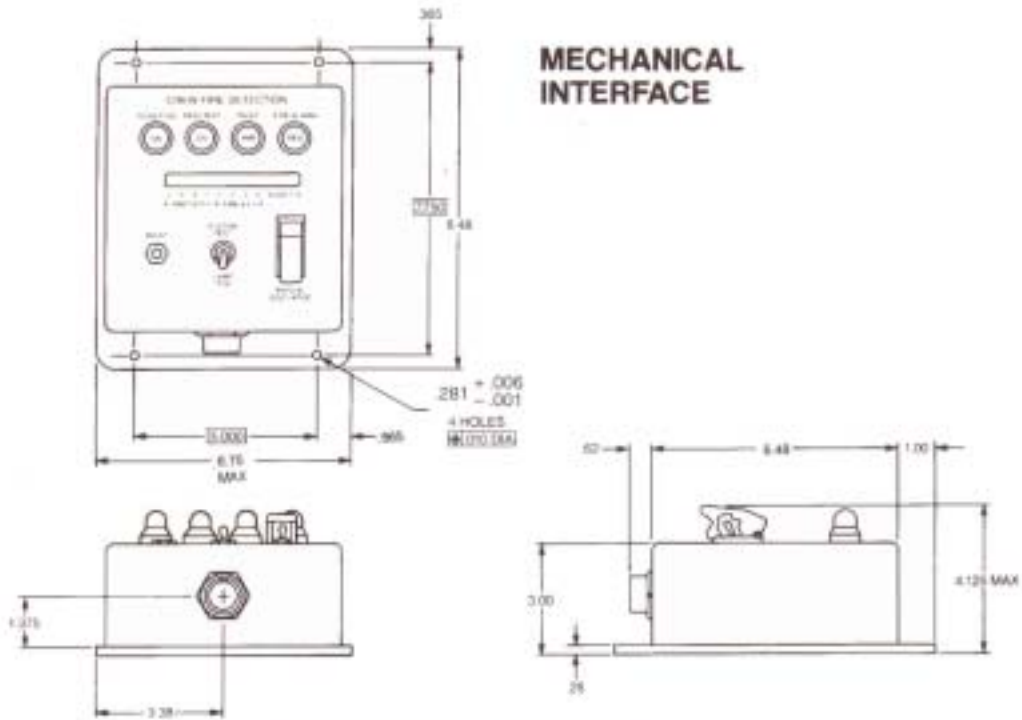


DESCRIPTION

The unit is a companion module to the Standard Control Electronics Amplifier (SCEA) and centralizes the operator controls for the Automatic Fire Extinguishing System (AFES). In addition to the system controls, the unit contains Built-In Test Equipment (BITE) that monitors the circuitry within the unit, and annunciates a defect of any module within the extinguishing system with a diagnostic display.

A built-in timer keeps the extinguishing system active for three hours after the vehicle master power has been removed. The unit has been tested and proven during rough terrain tests of military tracked vehicles.

OUTLINE DETAILS



ELECTRICAL INTERFACE

