

## AEH Series



- Non-Standard Outputs
- Low Output Voltages
- Universal Input
- Class 1 Earthing
- Single & Multiple Output Versions
- +70 °C Operating Temperature
- International Safety Approvals

## Specification

## Input

Input Voltage	• 90-264 VAC
Input Frequency	• 47-63 Hz
Input Current	• 0.26 A for AEH15, 1.50 A for AEH80, 1.70 A for AEH130, at 230 VAC
Inrush Current	• 30/60 A max at 115/230 VAC 100% load, cold start
Power Factor	• 0.99 at 230 VAC 100% load AEH130
Earth Leakage Current	• <0.5 mA max at 115 VAC/60Hz <0.75 mA max at 230 VAC/50Hz

## Output

Output Voltage	• See tables (factory set). Non-standard voltages available - contact sales
Initial Set Accuracy	• 5%
Start Up Delay	• 2 s max
Hold Up Time	• 20 ms min (>75 ms AEH130)
Line Regulation	• See tables
Load Regulation	• See tables
Transient Response	• 4% max. deviation, recovery to within 1% in 500 $\mu$ s for a 25% load change
Ripple & Noise	• 2% pk-pk
Overvoltage Protection	• 112-132% Vnom, auto reset
Overload Protection	• Output #1 only 112-132% of nominal
Temperature Coefficient	• $\pm 0.04\%$ /°C max

## General

Efficiency	• Up to 80%
Isolation	• 3000 VAC Input to Output 1500 VAC Input to Ground 500 VAC Output to Ground
Switching Frequency	• AEH15: 89 kHz typical AEH24: 60-97 kHz AEH45: 67-83 kHz AEH60: 90-125 kHz AEH80: 58 kHz typical AEH130: 53-76 kHz
MTBF	• 100 kHrs per MIL-HDBK-217F

## Environmental

Operating Temperature	• 0 °C to +70 °C, derate linearly from full load at +40 °C to half load at +70 °C
Operating Humidity	• 5-95 % RH, non-condensing
Storage Temperature	• -40 °C to +85 °C
Vibration	• 2 G on 3 axis

## EMC &amp; Safety

Emissions	• EN55022 level B, conducted and radiated
Harmonic Currents	• EN61000-3-2, Class A
Voltage Flicker	• EN61000-3-2
ESD Immunity	• EN61000-4-2, level 2 Perf Criteria B
Radiated Immunity	• EN61000-4-3, level 3 Perf Criteria B
EFT/Burst	• EN61000-4-4, level 2 Perf Criteria B
Surge	• EN61000-4-5, level 3 Perf Criteria B
Conducted Immunity	• EN61000-4-6, level 2 Perf Criteria B
Dips & Interruptions	• EN61000-4-11 30% 10 ms, 60% 100 ms, 100% 5000 ms Perf Criteria A, B, B
Safety Approvals	• EN60950, UL60950, CSA C22.2 No. 950 per cUL, UL60950

**Models and Ratings**

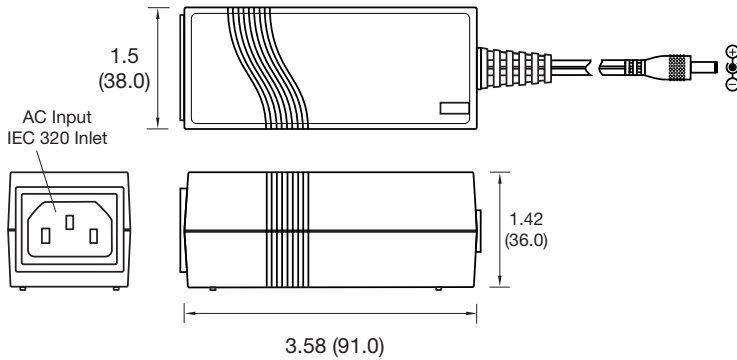
Output Power	Output Voltage Nominal <sup>(1)</sup>	Output Current		Load Regulation <sup>(2)</sup>	Model Number
		Minimum	Maximum		
8.25 W	3.3 V	0.0 A	2.50 A	7%	AEH15US03
12.00 W	5.0 V	0.0 A	2.40 A	5%	AEH15US05
15.00 W	7.0 V	0.0 A	1.70 A	5%	AEH15US07
15.00 W	10.0 V	0.0 A	1.50 A	5%	AEH15US10
15.00 W	12.0 V	0.0 A	1.25 A	5%	AEH15US12
15.00 W	15.0 V	0.0 A	1.00 A	5%	AEH15US15
15.00 W	18.0 V	0.0 A	0.80 A	5%	AEH15US18
15.00 W	24.0 V	0.0 A	0.62 A	5%	AEH15US24
15.00 W	30.0 V	0.0 A	0.50 A	5%	AEH15US30
15.00 W	36.0 V	0.0 A	0.40 A	3%	AEH15US36
15.00 W	48.0 V	0.0 A	0.30 A	3%	AEH15US48

**Notes**

1. Factory-set non-standard outputs available in single output versions.

2. Total regulation includes initial set accuracy, line and load regulation.

**Mechanical Details**



**Notes**

- Dimensions shown in inches (mm).
- Tolerance 0.02 (0.5) max.
- Output connector is 5.5mm outer diameter barrel. Inner diameter is 2.5mm with centre positive (+) and outer shell negative (-).
- Output cable length is 72.0 (1830).
- Optional output connectors available. Contact sales office.
- Weight 0.3 lb (135 g) approx.
- For UK mains lead order part: UK-MAINS-IEC. For European mains lead order part: EU-MAINS-IEC.

**Models and Ratings**

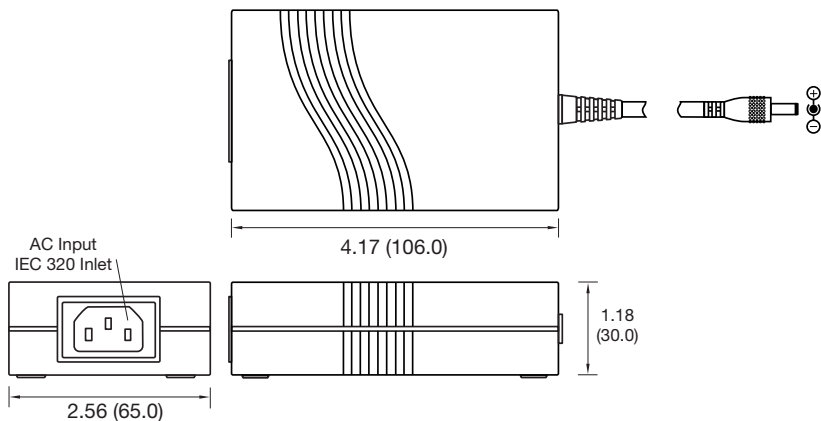
Output Power	Output Voltage Nominal <sup>(1)</sup>	Output Current		Load Regulation <sup>(2)</sup>	Model Number
		Minimum	Maximum		
15.00 W	5.0 V	0.0 A	3.00 A	5%	AEH24US05
20.00 W	7.0 V	0.0 A	2.80 A	5%	AEH24US07
22.00 W	10.0 V	0.0 A	2.20 A	5%	AEH24US10
24.00 W	12.0 V	0.0 A	2.00 A	5%	AEH24US12
24.00 W	15.0 V	0.0 A	1.60 A	5%	AEH24US15
24.00 W	18.0 V	0.0 A	1.30 A	5%	AEH24US18
24.00 W	24.0 V	0.0 A	1.00 A	3%	AEH24US24
24.00 W	30.0 V	0.0 A	0.80 A	3%	AEH24US30
24.00 W	36.0 V	0.0 A	0.66 A	3%	AEH24US36
24.00 W	48.0 V	0.0 A	0.50 A	2%	AEH24US48

**Notes**

1. Factory-set non-standard outputs available in single output versions.

2. Total regulation includes initial set accuracy, line and load regulation.

**Mechanical Details**



**Notes**

- Dimensions shown in inches (mm).
- Tolerance 0.02 (0.5) max.
- Output connector is 5.5mm outer diameter barrel. Inner diameter is 2.5mm with centre positive (+) and outer shell negative (-).
- Output cable length is 72.0 (1830).
- Optional output connectors available. Contact sales office.
- Weight 0.47 lb (215 g) approx.
- For UK mains lead order part: UK-MAINS-IEC. For European mains lead order part: EU-MAINS-IEC.

## Models and Ratings

Output Power Max	Output 1 <sup>(1,2)</sup>			Output 2 <sup>(1,2)</sup>			Output 3 <sup>(1,2)</sup>			Model Number
	Voltage Nom.	Current		Voltage Nom.	Current		Voltage Nom.	Current		
		Min	Max		Min	Max		Min	Max	
20 W	2.5 V	0.0 A	8.0 A							AEH45US02
26 W	3.3 V	0.0 A	8.0 A							AEH45US03
40 W	5.0 V	0.0 A	8.0 A							AEH45US05
42 W	7.0 V	0.0 A	6.0 A							AEH45US07
45 W	10.0 V	0.0 A	4.5 A							AEH45US10
44 W	12.0 V	0.0 A	3.7 A							AEH45US12
44 W	15.0 V	0.0 A	2.9 A							AEH45US15
44 W	18.0 V	0.0 A	2.4 A							AEH45US18
48 W	24.0 V	0.0 A	2.0 A							AEH45US24
50 W	30.0 V	0.0 A	1.7 A							AEH45US30
50 W	36.0 V	0.0 A	1.4 A							AEH45US36
50 W	48.0 V	0.0 A	1.0 A							AEH45US48
42 W	+12.0 V	0.5 A	3.0 A	-12.0 V	0.2 A	1.0 A				AEH45UM21
42 W	+15.0 V	0.5 A	2.0 A	-15.0 V	0.2 A	1.0 A				AEH45UM22
42 W	+5.0 V	0.5 A	5.0 A	+12.0 V	0.2 A	2.0 A				AEH45UM23
42 W	+5.0 V	0.5 A	5.0 A	+15.0 V	0.2 A	1.5 A				AEH45UM26
42 W	+5.0 V	0.5 A	5.0 A	+24.0 V	0.1 A	1.0 A				AEH45UM25
42 W	+5.0 V	0.5 A	5.0 A	-24.0 V	0.1 A	1.0 A				AEH45UM27
27 W	+3.3 V	0.5 A	5.0 A	+5.0 V	0.1 A	2.0 A				AEH45UM28
40 W	+3.3 V	0.5 A	5.0 A	+12.0 V	0.2 A	2.0 A				AEH45UM29
42 W	+5.0 V	0.5 A	5.0 A	+12.0 V	0.2 A	2.0 A	-5.0 V	0.0 A	0.8 A	AEH45UM33
42 W	+5.0 V	0.5 A	5.0 A	+12.0 V	0.2 A	2.0 A	-12.0 V	0.0 A	0.8 A	AEH45UM31
42 W	+5.0 V	0.5 A	5.0 A	+15.0 V	0.2 A	2.0 A	-15.0 V	0.0 A	0.8 A	AEH45UM32
40 W	+3.3 V	0.5 A	5.2 A	+12.0 V	0.2 A	2.0 A	-5.0 V	0.0 A	0.8 A	AEH45UM34
42 W	+3.3 V	0.5 A	5.0 A	+12.0 V	0.2 A	2.0 A	-12.0 V	0.0 A	0.8 A	AEH45UM35
42 W	+5.0 V	0.5 A	5.0 A	+24.0 V	0.1 A	1.0 A	-12.0 V	0.0 A	0.8 A	AEH45UM38
42 W	+5.0 V	0.5 A	5.0 A	+24.0 V	0.1 A	1.0 A	-24.0 V	0.0 A	0.5 A	AEH45UM39

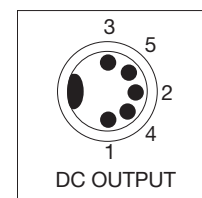
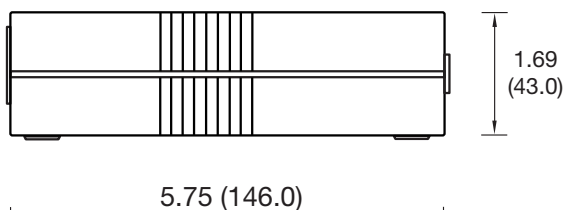
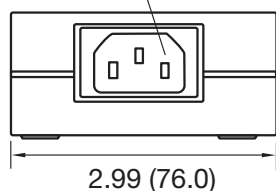
### Notes

1. Factory-set non-standard outputs available in single output versions.

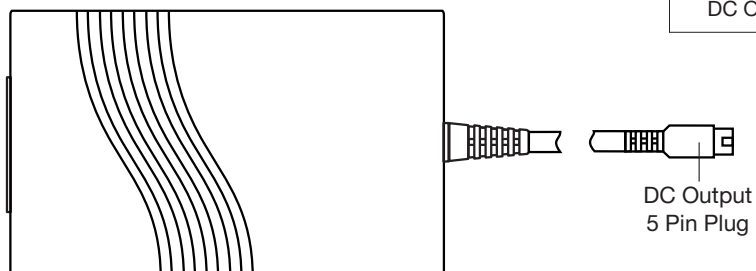
2. Total regulation including initial set accuracy, line and load regulation is typically 3% for output 1 and 5% for auxiliaries.

## Mechanical Details

AC Input  
IEC 320 Inlet



PIN CONNECTIONS			
Pin	SINGLE	DUAL	TRIPLE
Shell	GND	GND	GND
1	Common	Common	Common
2	Common	Common	Common
3	Output	Output 1	Output 1
4	Common	Common	Output 3
5	Output	Output 2	Output 2



### Notes

1. Dimensions shown in inches (mm).

2. Tolerance 0.02 (0.5) max.

3. Output cable length is 72.0 (1830).

4. Optional output connectors available. Contact sales office.

5. Weight 0.9-1.1 lb (400-500 g) approx.

6. For UK mains lead order part: UK-MAINS-IEC.

For European mains lead order part: EU-MAINS-IEC.

7. For mating DIN connector, use standard 5 pin 180° socket.

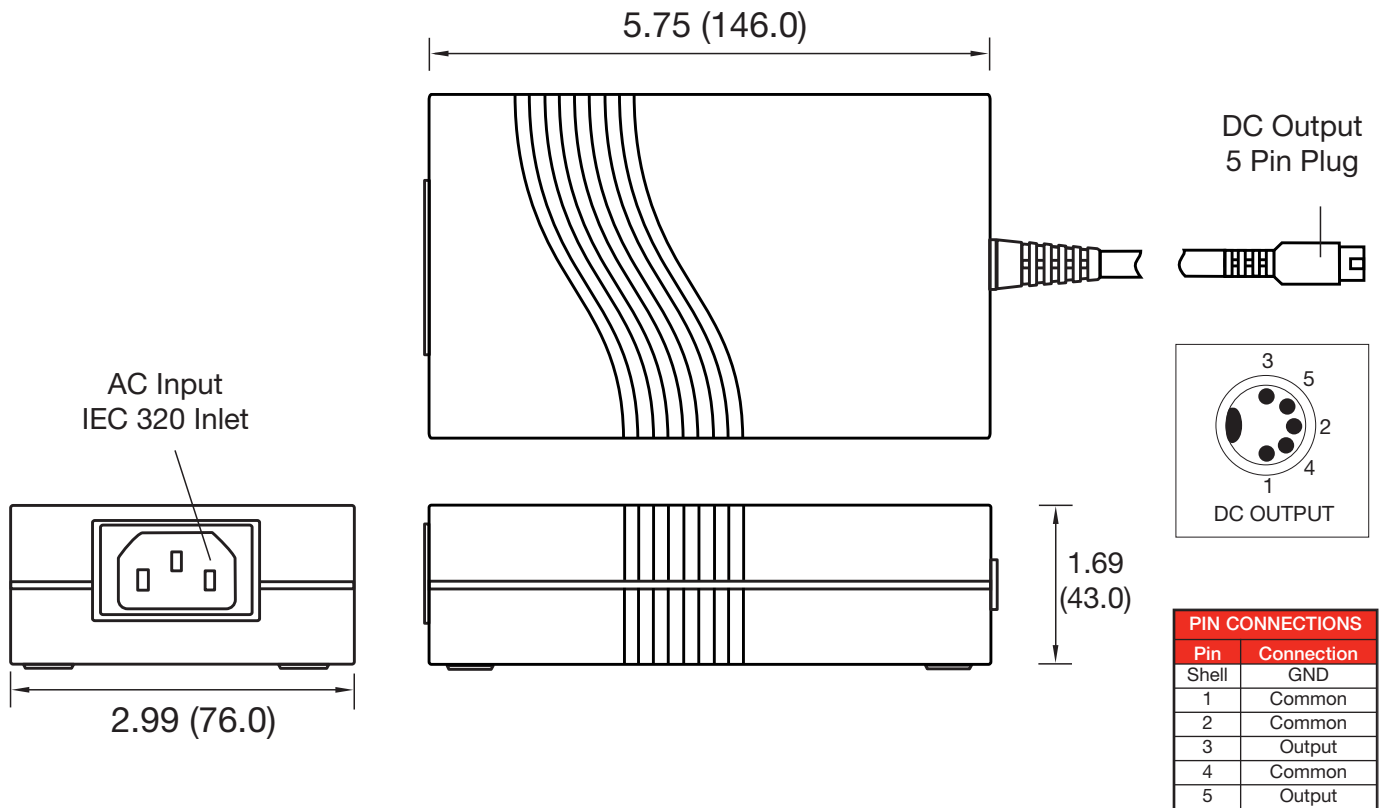
**Models and Ratings**

Output Power	Output Voltage Nominal <sup>(1)</sup>	Output Current		Total Regulation <sup>(2)</sup>	Model Number
		Minimum	Maximum		
50 W	5.0 V	0.0 A	10.0 A	5%	AEH60US05
56 W	7.0 V	0.0 A	8.0 A	5%	AEH60US07
60 W	10.0 V	0.0 A	6.0 A	5%	AEH60US10
60 W	12.0 V	0.0 A	5.0 A	5%	AEH60US12
60 W	15.0 V	0.0 A	4.0 A	5%	AEH60US15
60 W	18.0 V	0.0 A	3.3 A	5%	AEH60US18
60 W	24.0 V	0.0 A	2.5 A	5%	AEH60US24
60 W	30.0 V	0.0 A	2.0 A	5%	AEH60US30
60 W	36.0 V	0.0 A	1.6 A	5%	AEH60US36
60 W	48.0 V	0.0 A	1.2 A	5%	AEH60US48

**Notes**

1. Factory-set non-standard outputs available in single output versions.
2. Total regulation includes initial set accuracy, line and load regulation.

**Mechanical Details**



**Notes**

1. Dimensions shown in inches (mm).
2. Tolerance 0.02 (0.5) max.
3. Output cable length is 48.0 (1220).
4. Optional output connectors available. Contact sales office.
5. Weight 0.9-1.1 lb (400-500 g) approx.
6. For UK mains lead order part: UK-MAINS-IEC.  
For European mains lead order part: EU-MAINS-IEC.
7. For mating DIN connector, use standard 5 pin 180° socket.

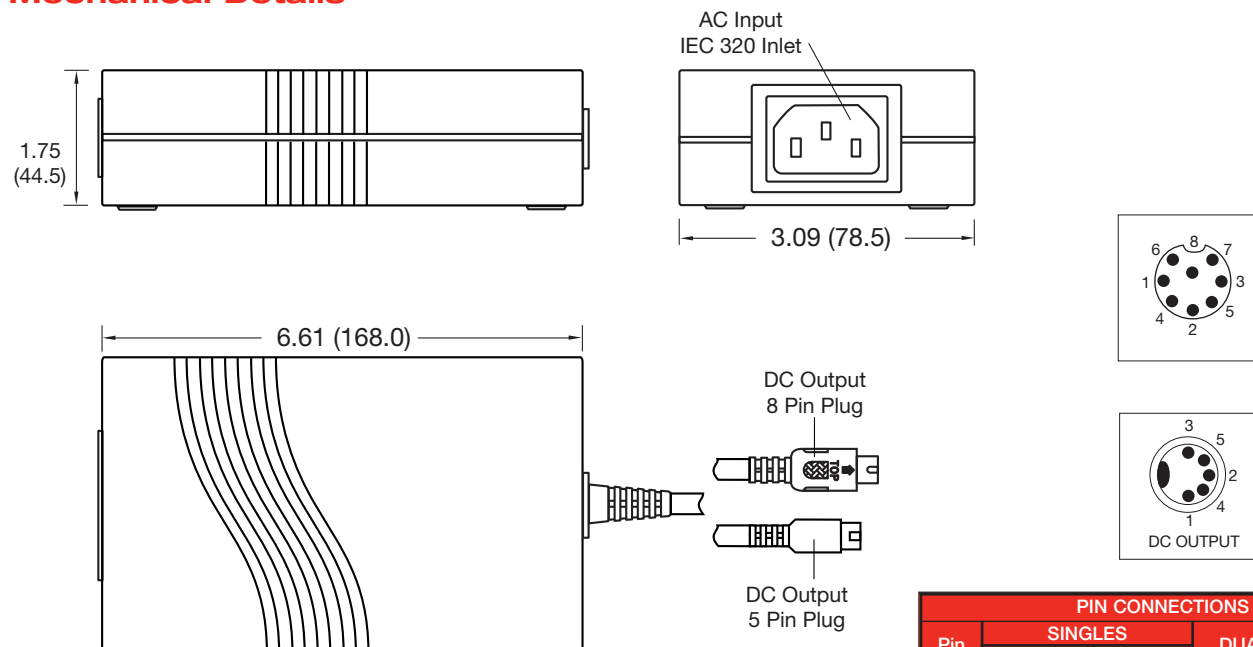
## Models and Ratings

Output Power Max	Output 1 <sup>(1,2)</sup>			Output 2 <sup>(1,2)</sup>			Output 3 <sup>(1,2)</sup>			Model Number
	Voltage Nom.	Current		Voltage Nom.	Current		Voltage Nom.	Current		
		Min	Max		Min	Max		Min	Max	
50 W	3.3 V	0.0 A	15.1 A							AEH80US03
65 W	5.0 V	0.0 A	13.0 A							AEH80US05
70 W	7.0 V	0.0 A	9.9 A							AEH80US07
75 W	10.0 V	0.0 A	7.5 A							AEH80US10
80 W	12.0 V	0.0 A	6.6 A							AEH80US12
80 W	15.0 V	0.0 A	5.3 A							AEH80US15
80 W	18.0 V	0.0 A	4.4 A							AEH80US18
80 W	24.0 V	0.0 A	3.3 A							AEH80US24
80 W	30.0 V	0.0 A	2.6 A							AEH80US30
80 W	36.0 V	0.0 A	2.2 A							AEH80US36
80 W	48.0 V	0.0 A	1.6 A							AEH80US48
60 W	+5.0 V	0.7 A	7.0 A	+12.0 V	0.3 A	3.0 A				AEH80UM23
60 W	+5.0 V	1.4 A	7.0 A	+15.0 V	0.6 A	3.0 A				AEH80UM26
60 W	+5.0 V	1.4 A	7.0 A	+24.0 V	0.2 A	2.0 A				AEH80UM25
60 W	+5.0 V	1.4 A	7.0 A	-24.0 V	0.2 A	2.0 A				AEH80UM29
38 W	+3.3 V	1.4 A	7.0 A	+5.0 V	0.6 A	3.0 A				AEH80UM28
56 W	+3.3 V	0.7 A	7.0 A	+12.0 V	0.5 A	3.0 A				AEH80UM27
65 W	+5.0 V	0.6 A	6.0 A	+12.0 V	0.3 A	3.0 A	-5.0 V	0.0 A	0.8 A	AEH80UM33
65 W	+5.0 V	0.6 A	6.0 A	+12.0 V	0.3 A	3.0 A	-12.0 V	0.0 A	0.8 A	AEH80UM31
65 W	+5.0 V	0.6 A	6.0 A	+15.0 V	0.3 A	2.1 A	-15.0 V	0.0 A	0.8 A	AEH80UM32
63 W	+3.3 V	0.7 A	7.0 A	+12.0 V	0.6 A	3.0 A	-5.0 V	0.0 A	0.8 A	AEH80UM34
65 W	+3.3 V	1.4 A	7.0 A	+12.0 V	0.6 A	3.0 A	-12.0 V	0.1 A	0.8 A	AEH80UM37
65 W	+5.0 V	0.7 A	7.0 A	+24.0 V	0.2 A	2.0 A	-24.0 V	0.0 A	0.8 A	AEH80UM38
65 W	+5.0 V	0.6 A	6.0 A	+24.0 V	0.2 A	2.0 A	-12.0 V	0.0 A	0.8 A	AEH80UM39

### Notes

1. Factory-set non-standard outputs available in single output versions.
2. Total regulation including initial set accuracy, line and load regulation is typically 3% for output 1 and 5% for auxiliaries.

## Mechanical Details



### Notes

1. Dimensions shown in inches (mm).
2. Tolerance 0.02 (0.5) max.
3. Output cable length is 48.0 (1220).
4. Optional output connectors available. Contact sales office.
5. Weight 0.9-1.1 lb (400-500 g) approx.
6. For UK mains lead order part: UK-MAINS-IEC,  
For European mains lead order part: EU-MAINS-IEC.
7. Optional ON/OFF switch. Add suffix '-S'.

Pin	PIN CONNECTIONS			
	SINGLES		DUAL	TRIPLE
	03, 05 V	07-48 V		
Shell	GND	GND	GND	GND
1	Common	Common	Common	Common
2	Common	Common	Output 2	Output 3
3	Output	Output	Output 1	Output 1
4	Common	Common	Output 2	Output 2
5	Output	Output	Output 1	Output 2
6	Common		Common	Common
7	Output		Output 1	Output 1
8	Output		Common	Output 3

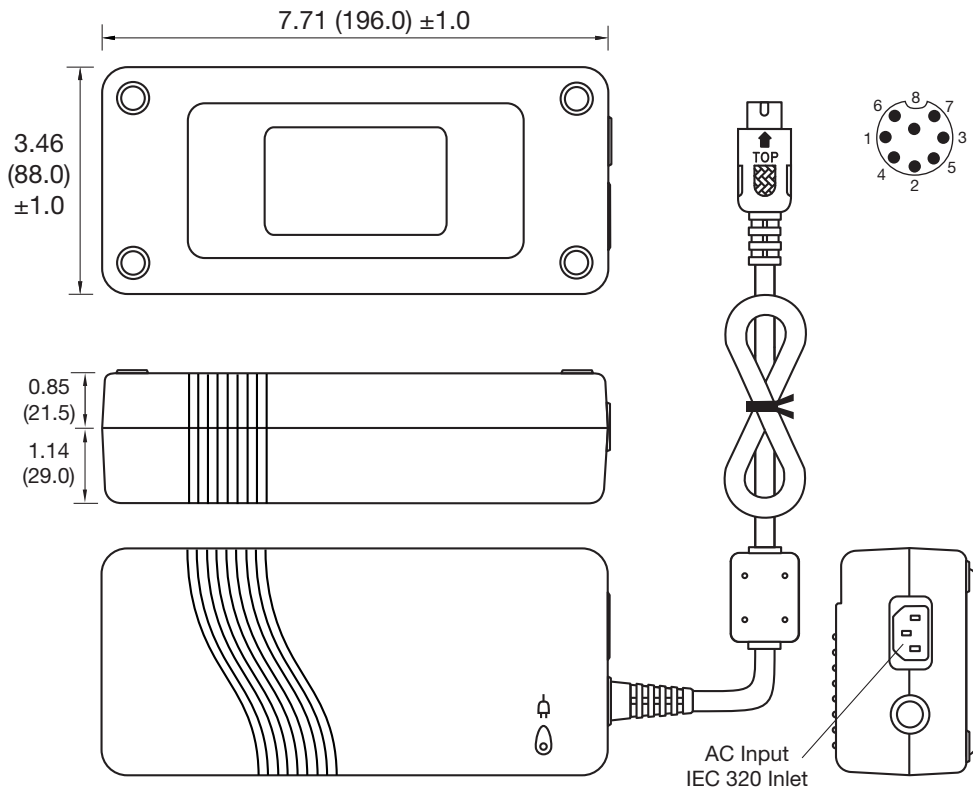
**Models and Ratings**

Output Power Max	Output 1 <sup>(1,2)</sup>				Output 2 <sup>(1,2)</sup>				Model Number
	Voltage Nom.	Current		Total Regulation	Voltage Nom.	Current		Total Regulation	
		Min	Max			Min	Max		
90 W	3.3 V	0.0 A	27.2 A	7%					AEH130PS3V3
115 W	5.0 V	0.0 A	23.0 A	7%					AEH130PS05
130 W	7.0 V	0.0 A	18.5 A	7%					AEH130PS07
130 W	9.0 V	0.0 A	14.4 A	5%					AEH130PS09
130 W	12.0 V	0.0 A	10.8 A	5%					AEH130PS12
130 W	15.0 V	0.0 A	8.6 A	5%					AEH130PS15
130 W	18.0 V	0.0 A	7.2 A	5%					AEH130PS18
130 W	24.0 V	0.0 A	5.4 A	5%					AEH130PS24
130 W	28.0 V	0.0 A	4.6 A	5%					AEH130PS28
130 W	36.0 V	0.0 A	3.6 A	5%					AEH130PS36
130 W	48.0 V	0.0 A	2.7 A	3%					AEH130PS48
130 W	54.0 V	0.0 A	2.4 A	3%					AEH130PS54
90 W	+3.3 V	4.0 A	20.0 A	10%	+12.0 V	0.2 A	2.0 A	5%	AEH130PD01
120 W	+5.0 V	4.0 A	20.0 A	7%	+12.0 V	0.2 A	2.0 A	5%	AEH130PD02
120 W	+5.0 V	4.0 A	20.0 A	7%	+15.0 V	0.2 A	2.0 A	5%	AEH130PD03
120 W	+5.0 V	4.0 A	20.0 A	7%	+24.0 V	0.2 A	2.0 A	5%	AEH130PD04

**Notes**

1. Factory-set non-standard outputs available in single output versions.
2. Total regulation includes initial set accuracy, line and load regulation.

**Mechanical Details**



PIN CONNECTIONS		
Pin	SINGLE	DUAL
Shell	GND	GND
1	Common	Common
2	Common	Output 2
3	Output	Output 1
4	Common	Output 2
5	Output	Output 1
6	Common	Common
7	Output	Output 1
8	Output	Common

**Notes**

1. Dimensions shown in inches (mm).
2. Tolerance 0.02 (0.5) max.
3. Output cable length is 48.0 (1220).
4. Optional output connectors available. Contact sales office.
5. Weight 1.9 lb (860 g) approx.
6. For UK mains lead order part: UK-MAINS-IEC, For European mains lead order part: EU-MAINS-IEC.