

4P & 5P



# Field-Attachable Connectors

## Single Keyway M12

Screw terminal connection accepts up to #18 AWG conductors  
 Easy field installation of quick-disconnect design  
 For use with all standard single keyway M12 receptacles and cordsets

	4P	5P
FEMALE FACE VIEW		
MALE FACE VIEW		
VOLTAGE	250V AC / 300V DC	30V AC / 36V DC
CURRENT	4A	4A

FEMALE	FIG	CATALOG NUMBER WITH PG 7 CABLE FITTING (.13 - .26" OD [3.3 - 6.6MM] CABLE)	
STRAIGHT	1	8A4000-31	8A5000-31
90°	2	8A4001-31	8A5001-31
FEMALE	FIG	CATALOG NUMBER WITH PG 9 CABLE FITTING (.16 - .32" OD [4.1 - 8.1MM] CABLE)	
STRAIGHT	1	8A4000-32	8A5000-32
MATING RECEPTACLE*	3	8R4006A18A120	8R5006A18A120
MALE	FIG	CATALOG NUMBER WITH PG 7 CABLE FITTING (.13 - .26" OD [3.3 - 6.6MM] CABLE)	
STRAIGHT	4	8A4006-31	8A5006-31
90°	5	8A4007-31	8A5007-31
MALE	FIG	CATALOG NUMBER WITH PG 9 CABLE FITTING (.16 - .32" OD [4.1 - 8.1MM] CABLE)	
STRAIGHT	4	8A4006-32	8A5006-32
MATING RECEPTACLE*	6	8R4A00A18A120	8R5A00A18A120

\*See Page 116 for additional Mating Receptacles

# Specifications



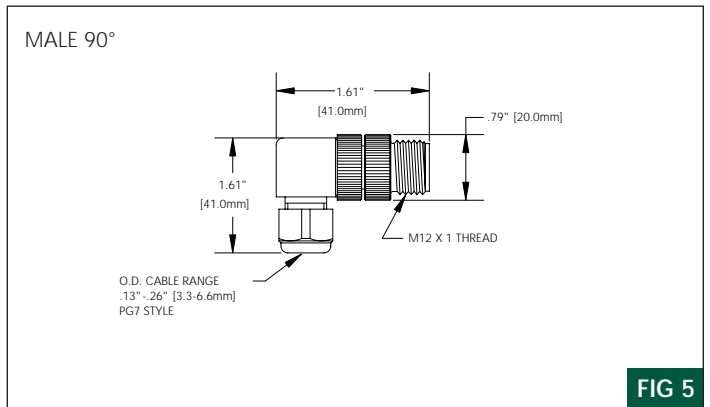
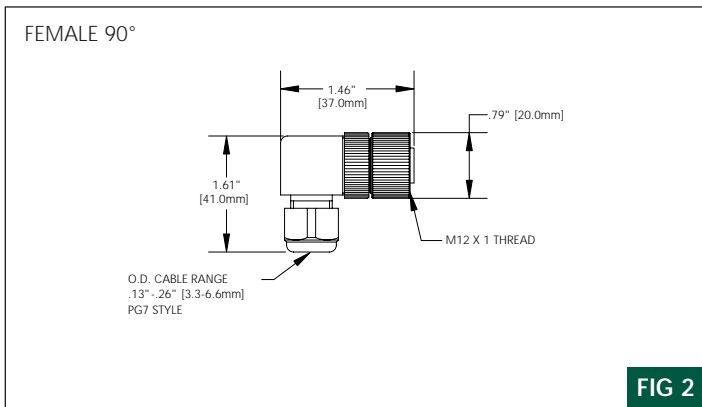
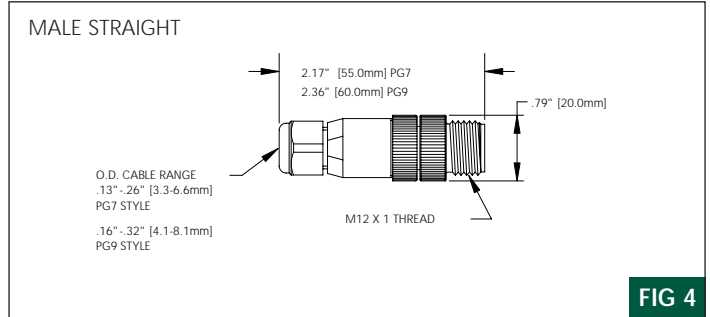
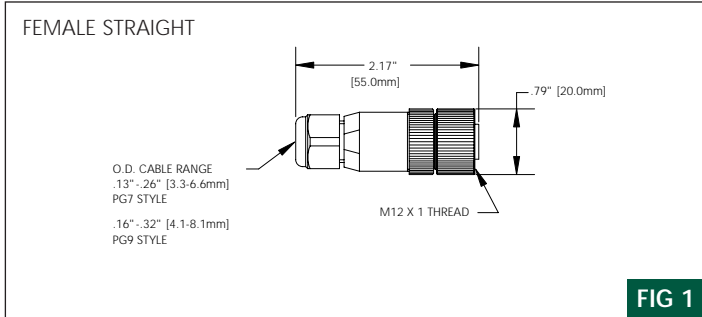
**MECHANICAL**  
 CONNECTOR FACE: POLYAMIDE  
 MOLDED BODY: POLYAMIDE  
 CONTACT: SILVER PLATED BRASS  
 COUPLING NUT: NICKEL PLATED BRASS  
 GROMMET: NITRILE RUBBER  
 MAXIMUM CONDUCTOR SIZE: 18 AWG

**ELECTRICAL**  
 VOLTAGE RATING: 4P - 250V AC 300V DC  
 5P - 30V AC 36V DC  
 AMPERAGE: 4P - 4A  
 5P - 4A

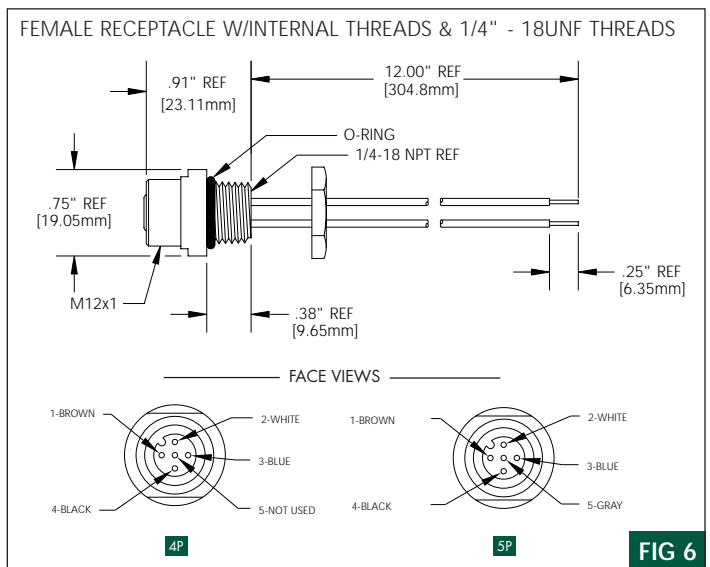
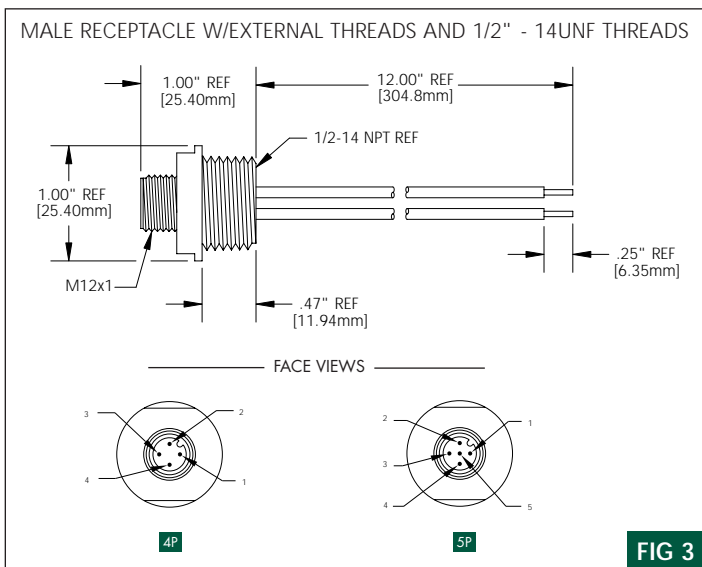
**ENVIRONMENTAL**  
 PROTECTION: IP 68  
 AMBIENT OPERATING TEMP: -13° TO 194° F (-25° TO 90° C)

**CERTIFICATIONS**  
 CSA: CSA CERTIFIED, FILE NO LR6837

## CONNECTOR DIMENSIONS



## RECEPTACLE DIMENSIONS



4P



# Field Attachable Connectors

## Single Keyway M12

Solder connection accepts #22 AWG conductors maximum  
 Secure termination for high vibration applications  
 For use with all standard single keyway M12 receptacles & cordsets

	<b>4P</b>
MALE FACE VIEW	
VOLTAGE	250V AC/125V DC
CURRENT	3A

MALE	FIG	O.D CABLE RANGE	FIELD-ATTACHABLE CONNECTORS WITH SOLDER TERMINATIONS
STRAIGHT	1	.12-.15" /3-4mm	F04MA03123
		.15-.20" /4-5mm	F04MA03124
		.20-.24" /5-6mm	F04MA03126
MATING RECEPTACLE*	2		8R4A00A18A120

ACCESSORIES	
EXTRACTION TOOL – REQUIRED FOR DISASSEMBLY	F04A29

\*See Page 116 for additional Mating Receptacles

# Specifications



<b>MECHANICAL</b>	
CONNECTOR FACE:	NYLON 6/6
MOLDED BODY:	NYLON 6/6
CONTACT:	GOLD PLATED BRASS
COUPLING NUT:	ALUMINUM
GROMMET:	NITRILE RUBBER
MAXIMUM CONDUCTOR SIZE:	#22 AWG
<b>ELECTRICAL</b>	
VOLTAGE RATING:	250V AC / 125V DC
AMPERAGE:	4P - 3A
<b>ENVIRONMENTAL</b>	
PROTECTION:	IP 67, NEMA 6
AMBIENT OPERATING TEMP:	-40° TO 185° F (-40° TO 85°C)
<b>CERTIFICATIONS</b>	
UL:	UL LISTED, FILE NO. E103202
CSA:	CSA CERTIFIED, FILE NO LR62678

## CONNECTOR DIMENSIONS

MALE STRAIGHT

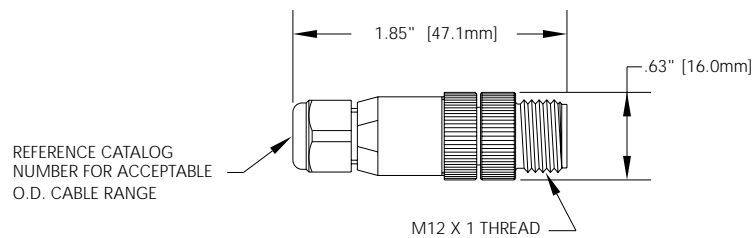


FIG 1

## RECEPTACLE DIMENSIONS

FEMALE RECEPTACLE W/INTERNAL THREADS & 1/4" - 18UNF THREADS

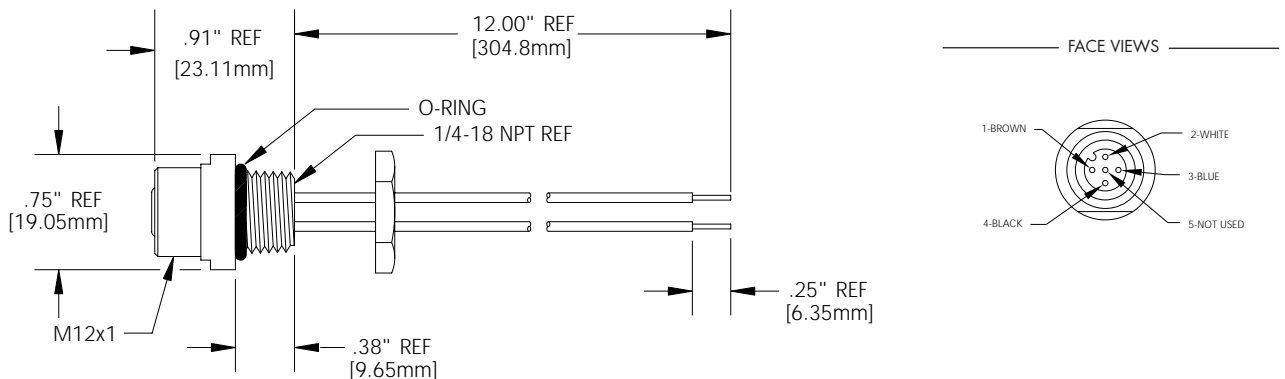


FIG 2