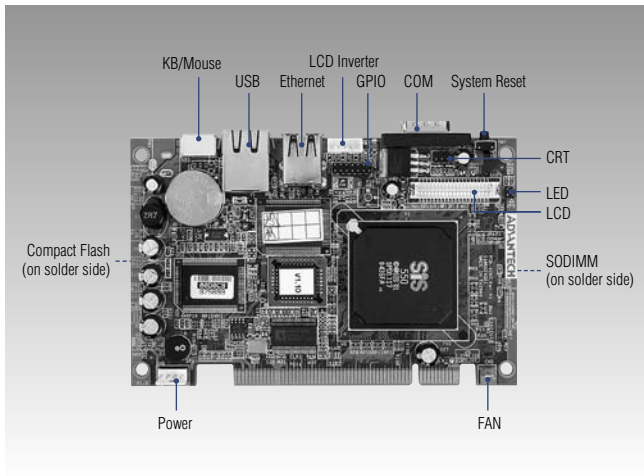


PCM-9240

3.5" SBC with SiS550 ,
VGA, LCD, LAN, USB



Features

- SOC SiS550 200 MHz processor
- Supports CRT/18 bit TFT LCD
- Supports 10/100 Mbps Ethernet
- Supports 2 USB 1.1 ports
- Dimension: 135 x 86 mm (5.3" x 3.4")
- 10 W low power

Specifications

General

- **CPU** Onboard SoC SiS550 processor
- **2nd Cache Memory** N/A
- **System Chipset** SiS550
- **BIOS** BIOS 256 kbit Flash BIOS
- **System Memory** 1 x SDRAM SODIMM, Max. 512 MB
- **Power Management** APM 1.1
- **SSD** Support CompactFlash® Card type II
- **Expansion Interface** PCI golden finger
- **Battery** Lithium 3 V/196 mAh

I/O

- **I/O Interface** 1 x K/B, 1 x Mouse, 1 x RS-232
- **USB** 2 x USB ports, USB 1.1 compliant
- **Audio** N/A
- **IrDA** N/A
- **GPIO** 8-bit programmable general purpose I/O

Ethernet

- **Chipset** RealTek® 8139CL
- **Speed** 10/100 Mbps (optional)
- **Interface** 1 x RJ45
- **Standard** IEEE 802.3u 100Base-T Fast Ethernet compatible
Built-in boot ROM in Flash BIOS

Display

- **Chipset** SiS550
- **Memory Size** Supports 32/64 MB frame buffer with system memory
- **Resolution** CRT mode: up to 1280 x 1024 @ 16 bpp (60 Hz)
1024 x 768 @ 32 bpp (85Hz)
LCD/Simultaneous mode: 1024 x 768 @ 16 bpp
(60 Hz) 800 x 600 @ 16 bpp (60Hz)
- **LCD Interface** Supports 18-bit TTL LCD up to XGA resolution
- **TV-Out** N/A
- **Dual Independent Display** N/A

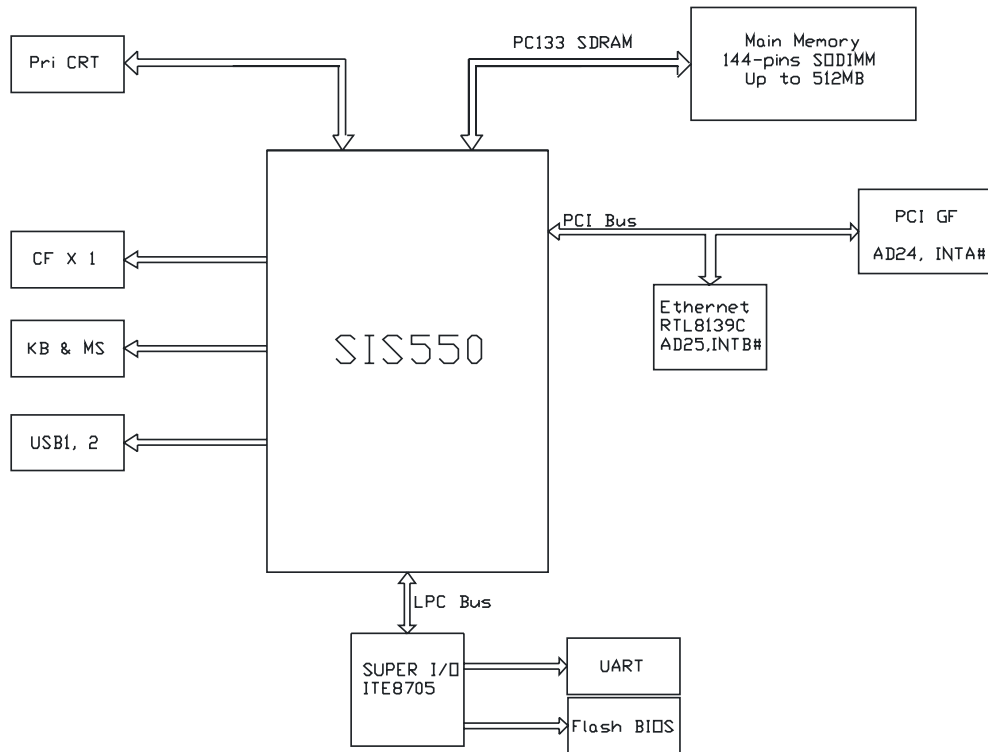
Mechanical and Environmental

- **Dimension (L x W)** 135 x 86 mm (5.3" x 3.4")
- **Weight** 0.6 kg (weight of total package)
- **Operating Temperature** 0 ~ 60° C (32 ~ 140° F)
- **Operating Humidity** 0% ~ 90% Relative Humidity, noncondensing

Power

- **Power Supply Voltage** +5 V ± 5%,
- **Power Consumption** Max.: 2 A @ +5 V
(@ SiS550 200 MHz with 512 MB SDRAM)

Board Diagram



Packing List

- 1 x PCM-9240 SBC
- 1 x Mini Jumper pack [count.: 10 pcs] (p/n:9689000002)
- 1 x Startup manual
- 1 x Utility CD
- 1 x VGA cable (p/n: 1700000974)
- 1 x KB/Mouse cable (p/n: 1700060202)

Ordering Information

Standard

- PCM-9240F-00A1 3.5" SBC with SiS550, VGA, LCD, LAN, USB

Optional Accessories

- 2070000305 WIN CE 3.0 for PCM-9240

- 1 System On Modules
- 2 PC/104 Modules
- 3 Single Board Computers
- 4 Slot CPU Cards
- 5 Industrial Motherboards
- 6 Embedded Box Computers
- 7 Panel PCs
- 8 UbiQ-Ubiquitous Computing
- 9 Digital Storage & Display Solutions
- 10 Vehicle Mounted Computing Platforms
- 11 Medical Computing Platforms
- 12 Embedded Software Solutions