



Maintenance-Free Rechargeable Sealed Lead-Acid Battery



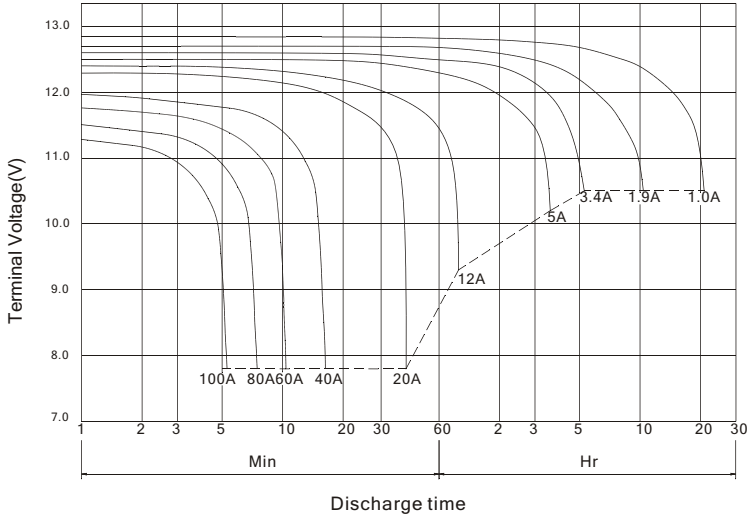
EVP20-12

The battery is constructed by plates, separators, safety valves and container. Since the electrolyte is held by a glass-mat separator and plates, the battery can use in any direction and position without leakage.

PERFORMANCE SPECIFICATIONS

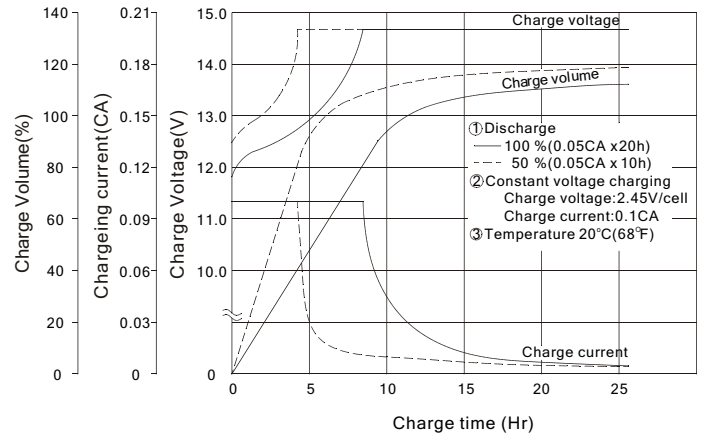
Nominal Voltage(V).....	12 volts(6cells in series)
Nominal Capacity(AH)	
20 Hour rate F.V.(1.75V/cell) (1.0A to 10.50volts)	20.0A.H.
5 Hour rate F.V.(1.75V/cell) (3.4A to 10.50volts)	17.0A.H.
30 Min rate F.V.(1.30V/cell) (25.0A to 7.80volts).....	12.5A.H.
Approximate Weight	6600g(14.55lbs.)
Terminal	
Standard.....	Type B1
Optional.....	Type T2,I1
Internal Resistance (Fully Charged Battery).....	<9mΩ
Maximum Discharge Current For 5 sec.(A).....	300A
Maximum Charge Current(A).....	6.0A
Ambient Temperature	
Charge.....	0°C(32°F)~40°C(104°F)
Discharge.....	-20°C(-4°F)~50°C(122°F)
Storage.....	-20°C(-4°F)~40°C(104°F)
Vibration test:	
Frequency: 16.7HZ	
Amplitude: 4mm	
Vibrate the battery horizontally or vertically for 60 minutes. The battery have no abnormality.	
Case.....	ABS
Dimension(mm/inch)	
Length ±1.5mm.....	181/7.13
Width ±1.5mm.....	76/2.99
Container Height ±1.5mm.....	166/6.54
Total Height ±2mm.....	166/6.54
Application.....	Fishing Lights, Emergency Lights, Lawn Mowers, Electrical Bicycle.

EVP20-12 Battery discharge characteristics (25°C/77°F)



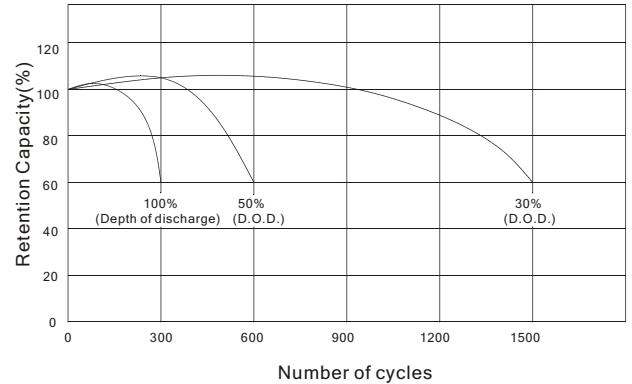
BATTERY CHARGING CHARACTERISTICS

(Typical example of the charge characteristics for the cycle use)



Battery Life Characteristics of Cyclic Use

Testing Conditions : Discharge Current : 1C Amp (F.V. 1.60V/cell)
 Charging Current : 0.1C Amp
 Charging Volume : 120% OF Discharge Capacity
 Ambient Temperature : 20°C (68°F)

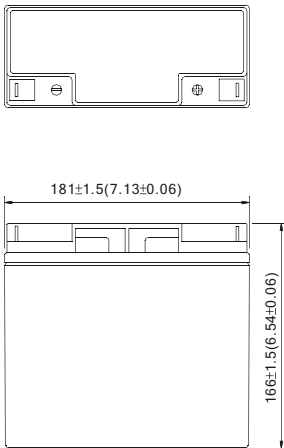


Charging Procedure

Application	Charging method	Charging Voltage at 20°C (V/cell)	Temperature compensation coefficient of charging voltage (mV/°C/cell)	Max. charging current (CA)	Charging time 0.1CA, 20°C (h)		Temp (°C)
					100% discharge	50% discharge	
For standby power source	Constant voltage & Constant current charging (with current restriction)	2.25~2.30	-3	0.3	24	20	0~40 (32~104°F)
For cycle service					16	10	

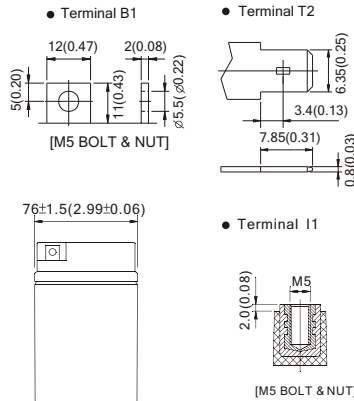
*Temperature compensation of charging voltage is not Needed, wherusing the batteries within 5°C to 35°C range.

OUTER DIMENSIONS



TERMINAL TYPE

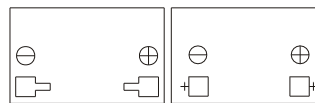
mm (inch)



Constant power discharge characteristics at 25°C/77°F

Final Voltage	Discharge time								
	5Min	10Min	15Min	30Min	45Min	1Hr	3Hr	5Hr	10Hr
	Battery output power (W)								
10.80V	859	609	461	271	194	156.6	62.9	40.0	22.4
10.50V	994	659	483	283	203	161.7	64.6	40.8	22.9
10.20V	1057	686	498	290	207	165.1	65.7	41.2	23.0
9.90V	1104	701	509	296	210	166.9	66.3	41.4	23.0
9.60V	1141	714	518	300	212	168.0	66.6	41.5	23.0

TERMINAL POSITION



B.B. BATTERY CO., LTD.

Web Site: <http://www.bb-battery.com>

USA:
 B&B BATTERY(USA) INC.
 6415 RANDOLPH ST.COMMERCE,
 CA,90040 U.S.A.
 TEL:1-323-278-1900-1-800-278-8599
 FAX:1-323-278-1268
 E-Mail:sales@bb-battery.com

EUROPE:
 B&B BATTERY(EUROPE) B.V.
 3 WIJNGAARDVELD, 9300 AALST,BELGIUM
 TEL:(00)32-53781567
 FAX:(00)32-53781567
 E-Mail:hansdevriese@bb-battery.com

CHINA FACTORY:
 B.B. BATTERY CO., LTD.
 CHENG DONG TRIAL AREA,HUANG GANG,
 RAOPING, GUANG DONG,CHINA,515700
 TEL:86-768-7601001-2
 FAX:86-768-7601469
 E-Mail:maggy@bb-battery.com

HONG KONG:
 NATIONAL TRADING LTD.
 TEL:852-2301-3800
 FAX:852-2739-1182
 E-Mail:bbhk@hkstar.com

JAPAN:
 B&B BATTERY(JAPAN) CO., LTD.
 1375-11 NARAHARA-MACHI,HACHIOJI,
 TOKYO 193-0803,JAPAN.
 TEL:81-426-256-537
 FAX:81-426-256-537
 E-Mail:miyata@bb-battery.com

TAIWAN:
 B.B. BATTERY(TAIWAN) CO., LTD.
 TEL:886-6-502-5150
 FAX:886-6-589-8087
 E-Mail:maggy@bb-battery.com

