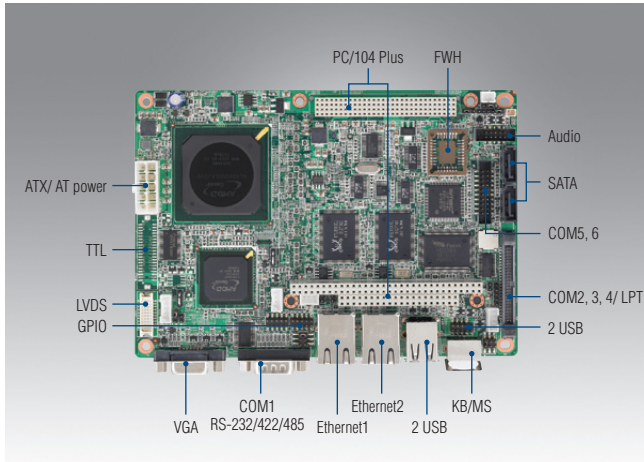


PCM-4373

AMD LX800 EPIC SBC with LVDS, TTL, VGA, Dual Ethernet, 6 COM, 2 SATA, PC/104-Plus



Features

- AMD low power LX800 500 MHz processor
- Total platform power consumption under 8 watts
- Display combination: VGA + 18-bit LVDS, or VGA + 24-bit TTL
- 6 COM ports (4 x RS-232/2 x RS-232/422/485, supports auto flow control)
- Supports SUSIAccess and Embedded Software APIs

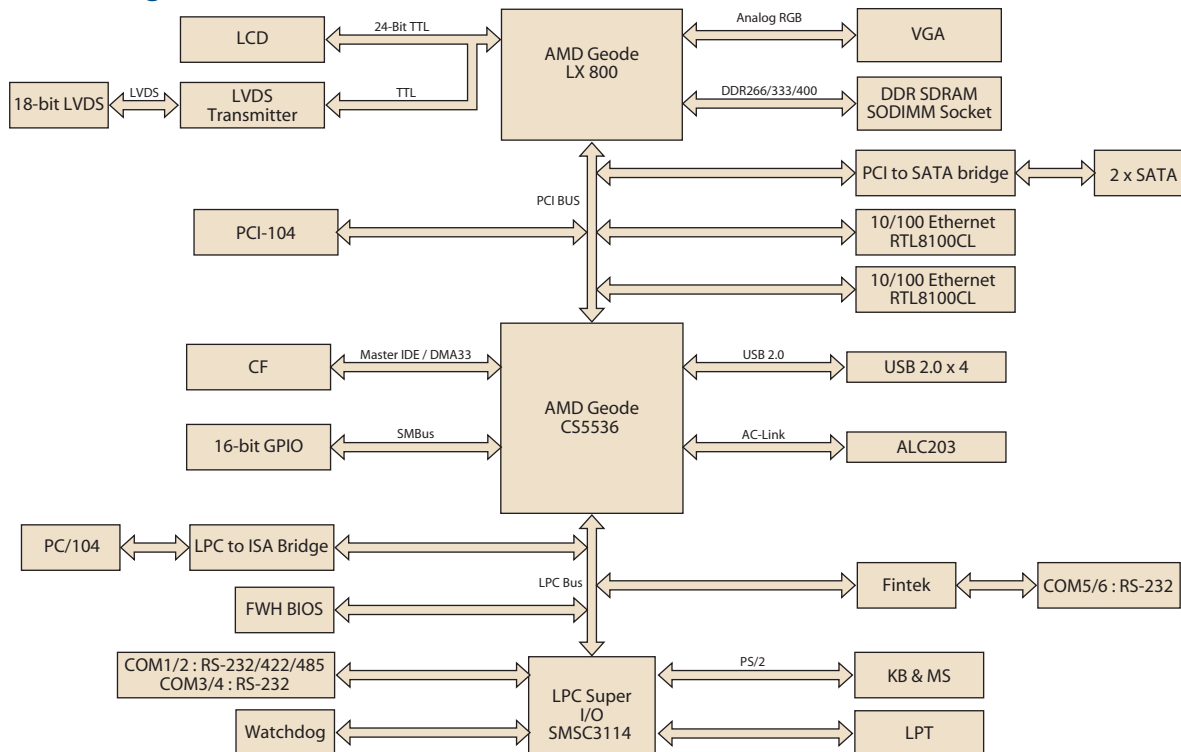
Software APIs: SMBus H/W Monitor Brightness Watchdog GPIO Backlight On/Off

Utilities: BIOS Flash Monitoring

Specifications

Processor System	CPU	AMD Geode LX800 processor, up to 500 MHz
	Frequency	500 MHz
	L2 Cache	128 KB
	System Chipset	AMD Geode LX800 + AMD Geode CS5536
Memory	BIOS	Award 4-Mbit
	Technology	DDR 333/400 MHz
	Max. Capacity	1 GB
Display	Socket	1 x 200-pin SODIMM
	Chipset	AMD Geode LX800
	VRAM	64 MB
	Graphics Engine	AMD 2D engine
	LVDS	1 x 18-bit LVDS
	VGA	1
	TTL LCD	1 x 24-bit TTL
Ethernet	Dual Display	VGA + 18-bit LVDS, or VGA + 24-bit TTL
	Speed	10/100 Mbps on Ethernet1, Ethernet2
	Controller	2 x Realtek RTL8100CL-LF
	Connector	RJ-45
Audio	Chipset	AC97, Line-in, Line-out, Mic-in
WatchDog Timer		255-level interval timer, programmable 1 ~ 255 sec, setup by software, jumperless selection, generates system reset
Storage	CompactFlash	CompactFlash type I/II (Primary Master IDE Channel)
	SATA	2 (Max. Data Transfer Rate 150 MB/s)
	Floppy	1 x FDD (Optional, share with LPT through customized cable)
Rear I/O	Serial	COM1: RS-232/422/485 (Supports Auto flow control)
	Ethernet	2
	PS/2 KB/Mouse	1
	VGA	1
	USB	2
Internal I/O	USB	2 x USB 2.0 (2 via USB DOM connector)
	Serial	COM3/4/5/6: RS-232, COM5/6 are only for PCM-4373F COM2: RS-232/422/485 (Supports Auto flow control)
	Parallel (LPT)	1
	FDD	Share with LPT (Optional)
Expansion	GPIO	16-bit GPIO
	PC/104-Plus slot	1
Power	Power Type	AT / ATX
	Power Supply Voltage	ATX: 5V±5%, 5Vsb AT: 5V±5% (12V optional for LCD inverter and PC/104+)
	Power Consumption (Typical)	1.45 A @ 5 V (7.25 W)
	Power Consumption (Max, test in HCT)	1.66 A @ 5 V (8.3 W)
	Power Management	APM, ACPI
	Battery	Lithium 3 V / 196 mAh
Environment	Operating	0 ~ 60° C (32 ~ 140° F), Operating humidity: 40° C @ 95% RH non-condensing
	Non-Operating	-40° C ~ 85° C and 60° C @ 95% RH non-condensing
Physical Characteristics	Dimensions (L x W)	115 x 165 mm (4.5" x 6.5")
	Weight	0.64 kg (1.39 lb), weight of total package
	Total Height	27.0mm

Block Diagram



Ordering Information

Number	CPU	10/100 Ethernet	TTL	LVDS	VGA	USB 2.0	RS-232	RS-232/422/485	GPIO	CF	SATA	Audio	Expansion	Thermal Solution	Operation Temp.
PCM-4373L-J0A1E	AMD LX800	1	24-bit	-	1	4	2	2	-	1	2	-	PC/104+	Passive	0 ~ 60° C
PCM-4373F-J0A1E	AMD LX800	2	-	18-bit	1	4	4	2	16-bit	1	2	Yes	PC/104+	Passive	0 ~ 60° C

Note: Passive = fanless; Active = with fan

Packing List

Part No.	Description	Quantity
PCM-4373 SBC	PCM-4373 SBC	1
9689000002	Mini Jumper Pack	1
2006437300	Startup Manual	1
2066437300	Utility CD	1
1700002034	3 COM ports and LPT cable	1
1700002055	ATX power cable	1
1700003931	AT power cable	1
1700060202	6P-6P-6P PS/2 KB/MS	1
1700001267	Cable USB x 2/10-2.0 mm 29 cm	1
1700008894	Cable serial ATA 7P/7P 30 cm	2
1700008902	Audio Cable IDC-10P 2.0 mm 15 cm	1
1703150102	Wire BIG4P/Serial ATA power 15P 10 cm	1
1960004868	Heatsink 39.5x39.6x9.8mm	1
1960004869	Heatsink 22.6x22.6x14.5mm	1

Optional Accessories

Part No.	Description
1701200220	Cable for 2 COM ports 20P 22 cm
1703040157	Wire RS-422/485 4P to D-SUB 15 cm

Embedded OS/API

Embedded OS	Part No.	Description
WinCE	2070005350	CE 5.0 PP PCM-4373 V5.00 ENG
Win XPE	2070005349	PCM-4373 XPE V3.01 ENG/CHT/CHS/JPN (677.86 MB)
QNX		6.4.1
Software API	205E000019	

Rear I/O View

