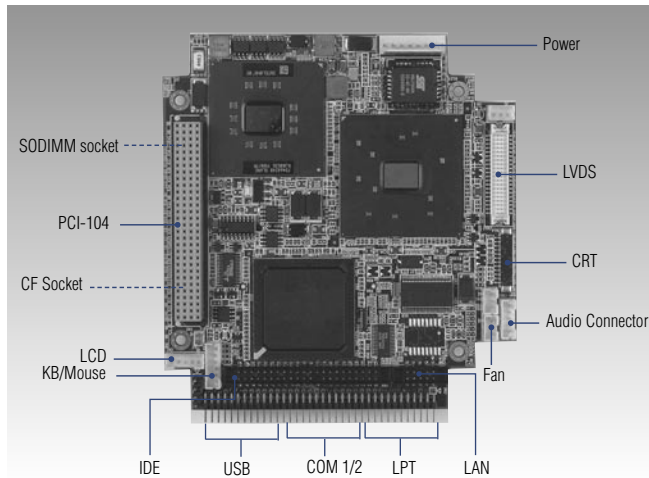


# PCM-3386

Intel® Celeron® M  
PCI-104 CPU Module



## Features

- Embedded Celeron® M 600 MHz/ULV Celeron M 1 GHz
- Chipset: Intel® 852 GM (Montara-GM+) GMCH/ICH4 Chipset 400 MHz FSB
- VGA/LCD controller with optimized Shared Memory Architecture (SMA)
- Supports dual display
- 10/100Mbps PCI Ethernet interface, supports wake-on-LAN
- PCI-104 expansion connector
- Support for CompactFlash® Card (CFC) Type I Socket
- Supports six USB 2.0 ports
- SODIMM socket support up to 1 GB DDR SDRAM
- Supports audio function compliant with AC'97 2.0

## Specifications

### General

- **CPU** Embedded Intel Celeron M 600 MHz/1 GHz
- **2nd Cache Memory** 512 KB on Celeron-M 600 MHz  
0 KB on Celeron-M 1 GHz
- **System Chipset** Intel 852GM ICH4 Chipset 400 MHz FSB
- **BIOS** Award® 512 KB Flash BIOS
- **System Memory** 200-pin SODIMM sockets, support 128 MB to 1 GB, accepts 128/256/512/1024 MB, DDR200/266 DRAM
- **Power Management** Supports Advanced Power Management /ACPI, Intel Speedstep
- **SSD** Supports CompactFlash Card Type I, Type II (option for Micro Drive)
- **Watchdog Timer** 1 ~ 255 sec/min, 255-level interval watchdog timer, setup by software, selection, generates system reset
- **Expansion Interface** 120-pin PCI PC/104-Plus module connector
- **I/O Interface** 1 x EIDE, 1 x LPT(FDD), 2 x RS232, 1 x K/B, 1 x Mouse
- **USB** 6 x USB 2.0, EHCI/UHCI specification compliant
- **Audio** ICH4 chip. AC'97 2.0 compliant. Supports Line-in, Line-out, Mic-in
- **I/O Expansion** Support for + 5 V FAN, speed detect connector

### Ethernet

- **Chipset** Intel 82562 EM, PCI Ethernet controller, IEEE 802.3u protocol compatible
- **Speed** 10/100Base-T
- **Interface** 1 x RJ-45

### Display

- **Chipset** Intel 852 GM  
Supports CRT Display  
Supports 2CH 36-bit LVDS LCD display  
Optimized Shared Memory Architecture, support 64 MB/32 MB frame buffer using system memory

### Mechanical and Environmental

- **Dimension (L x W)** 108 x 115 mm
- **Weight** 0.279 kg (with heat sink)
- **Operating Temperature** 0 ~ 60° C
- **Operating Humidity** 0% ~ 90% relative humidity, non-condensing

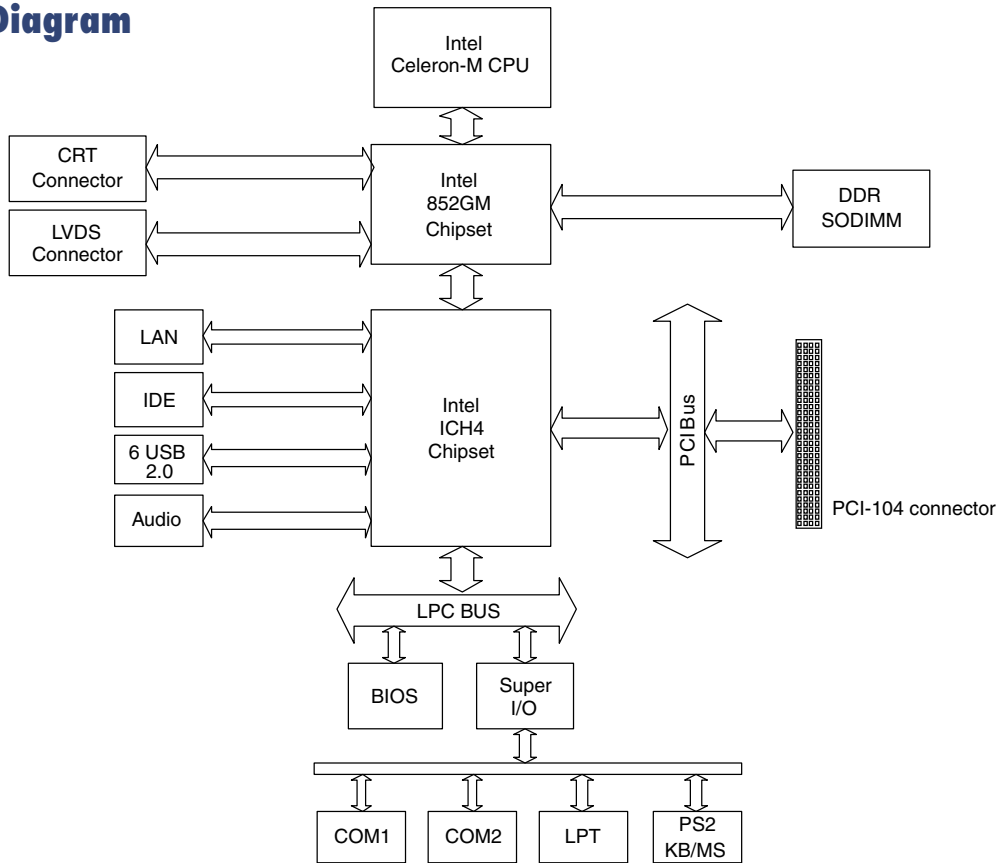
### Power

- **Power Supply Voltage** ATX, +5 V ± 5%, +12 V ± 5% (Optional) (5 V only, 12 V optional for PC104 add on card and LCD inverter)
- **Power Consumption** Typical: +5 V @ 2.06 A (w/Celeron-M 600 MHz)  
Max. : +5 V @ 2.16 A (w/Celeron-M 600 MHz)

## Packing List

- 1 x PCM-3386 SBC
- 1 x Y-Cable external cable (p/n:1703060053)
- 1 x IDE 44P/44P/40P cable 35cm (p/n:1701440350)
- 1 x IDE cable(44pin to 40/44pin) (p/n:1701440504)
- 1 x Wire ATX power (p/n:1703200380)
- 1 x Ethernet RJ-45 Conn.conversion cable (p/n:1701100202)
- 1 x KB / MOUSE Y-cable (p/n:1700060202)
- 1 x COM port cable (p/n:1701200220)
- 1 x USB Cable 26cm (p/n:1700000897)
- 1 x VGA cable (p/n:1700000898)
- 1 x LPT port cable (p/n:1700000916)
- 1 x Audio cable (Line-in, Line-out, Mic-in) (p/n:1700000918)

### Board Diagram



### Ordering Information

Part No.	CPU	L2 Cache	Chipset	CRT	LVDS	10/100	USB2.0	RS-232	LPT	CF	KB/MS	PCI-104 connector	PC/104 connector	Thermal Solution	Operation Temp.
PCM-3386F-S0A2E	ULV Celeron M 1 GHz	0 KB	852 GM	Yes	36-bit	1	6	2	Yes	Yes	Yes	Yes	--	Passive	0 ~ 60° C
PCM-3386F-M0A2E	Celeron M 600	512 KB	852 GM	Yes	36-bit	1	6	2	Yes	Yes	Yes	Yes	--	Passive	0 ~ 60° C