

I/O module - IB L2 BOX AO 1/2/U M12 - 2731940

Please be informed that the data shown in this PDF Document is generated from our Online Catalog. Please find the complete data in the user's documentation. Our General Terms of Use for Downloads are valid (<http://download.phoenixcontact.com>)



Analog output module, 1 analog output, -10 to +10 V, 2-wire connection method, IP65/67 protection

The illustration shows the version IB L2 BOX AO 1/2/I M12

Product description

These analog output modules in IP67 protection for the housing enable the connection of analog actuators to INTERBUS via M12 plug connectors.

These analog modules have one channel which can output either current (0 - 20 mA, 4 - 20 mA) or voltage (10 V) with a 12-bit resolution.

All analog actuators are connected with common M12 connectors. The modules are connected to INTERBUS-Loop 2 using the QUICKON fast connection system.

Key commercial data

| | |
|------------------------|---|
| Packing unit | 1 |
| Minimum order quantity | 1 |
| Catalog page | Page 245 (AX-2004) |
| GTIN |  4 017918 171384 |
| Custom tariff number | 85371099 |
| Country of origin | GERMANY |

Technical data

Interfaces

| | |
|-------------------|-------------------------|
| Interface | INTERBUS-Loop 2 |
| Connection method | QUICKON fast connection |

Power supply

| | |
|-----------------------------|--|
| Typical current consumption | 80 mA (from INTERBUS-Loop 2) |
| Max. current consumption | 90 mA (from INTERBUS-Loop 2) |
| I/O voltage | ± 24 V DC 5 % (ripple (via INTERBUS-Loop 2)) |
| I/O voltage range | 19.2 V DC ... 30 V DC |

Outputs

| | |
|---------------------------------|--------------------------|
| Voltage output signal | -10 V ... 10 V |
| Voltage output quantization | 4.88 mV (DAC-LSB) |
| Basic error limit | 0.1 % |
| Representation of output values | 16 bit complement on two |

I/O module - IB L2 BOX AO 1/2/U M12 - 2731940

Technical data

Outputs

| | |
|----------------|--------|
| DAC resolution | 12 Bit |
|----------------|--------|

General data

| | |
|--------|-------|
| Weight | 135 g |
| Width | 62 mm |
| Height | 60 mm |
| Length | 95 mm |

Classifications

ETIM

| | |
|----------|----------|
| ETIM 2.0 | EC001431 |
| ETIM 3.0 | EC001596 |
| ETIM 4.0 | EC001596 |

UNSPSC

| | |
|---------------|----------|
| UNSPSC 11 | 43172015 |
| UNSPSC 12.01 | 43201404 |
| UNSPSC 13.2 | 43201404 |
| UNSPSC 6.01 | 43172015 |
| UNSPSC 7.0901 | 43201404 |

eCl@ss

| | |
|------------|----------|
| eCl@ss 4.0 | 27250303 |
| eCl@ss 4.1 | 27250303 |
| eCl@ss 5.0 | 27250303 |
| eCl@ss 5.1 | 27242601 |
| eCl@ss 6.0 | 27242601 |
| eCl@ss 7.0 | 27242601 |

Accessories

Accessories

Assembly

Protective cap - IBS IP PROT-IO - 2759919



Protection cap, for unused M12 sensor/actuator connections

Pg screw connection - IBSL PG-SET - 2721992

I/O module - IB L2 BOX AO 1/2/U M12 - 2731940

Accessories

INTERBUS-Loop 2 PG set, consisting of 5 cover caps for the actuator supply and 20 Pg cable glands (collar, splice ring, grommet, cap nut), Pg11 and Pg13.5

Cable/conductor

Cable - IBSL SLC CU2/1,5-METER - 2721620



INTERBUS Loop cable, marked in meters with consecutive numbers, green, unshielded, 2 x 1.5 mm², by the meter

Marking

Marking label - IBSL ZB-SET - 2721989

INTERBUS-Loop 2 set, consisting of 50 Zack marker plates and 15 protection caps for M12 sensor/actuator female connectors

Contactormarker – zack marker strip - SS-ZB YE - 5031650



Contactormarker – zack marker strip, Strip, yellow, Unlabeled, Can be labeled with: Plotter, Mounting type: Snap into flat marker groove, Lettering field: 20 mm x 8 mm

Contactormarker – zack marker strip - SS-ZB WH - 5031171

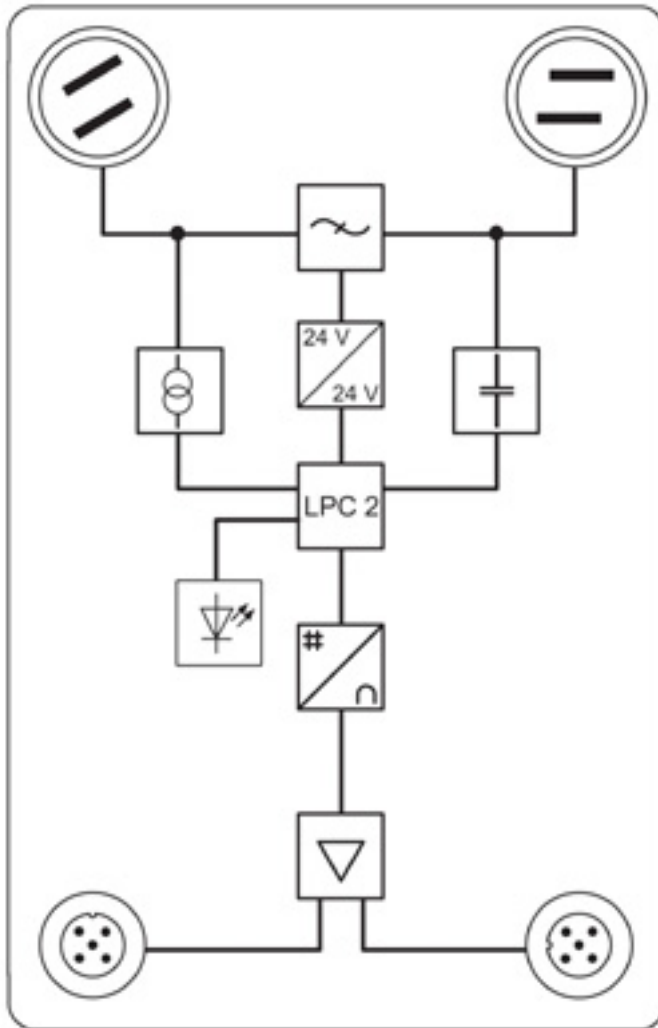


Contactormarker – zack marker strip, Strip, white, Unlabeled, Can be labeled with: Plotter, Mounting type: Snap into flat marker groove, Lettering field: 20 mm x 8 mm

Drawings

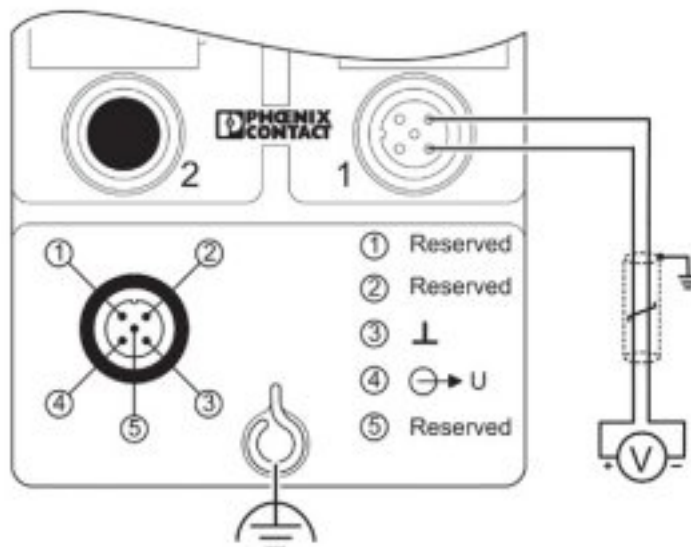
I/O module - IB L2 BOX AO 1/2/U M12 - 2731940

Block diagram



I/O module - IB L2 BOX AO 1/2/U M12 - 2731940

Connection diagram



Dimensioned drawing

