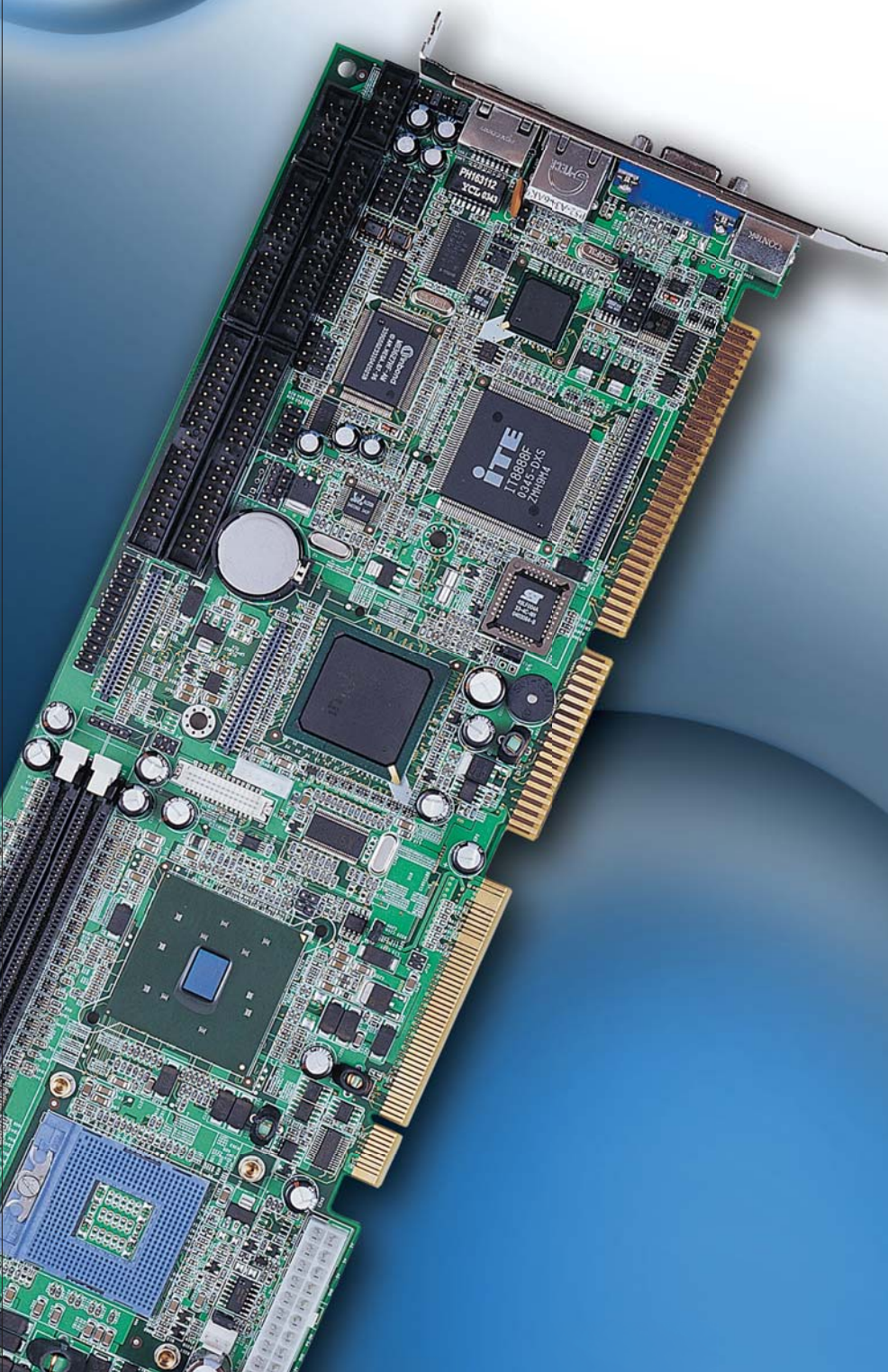


SBC



Prox-F501

Pentium® M Full-size CPU Card with VGA/Sound/2LAN

Prox-F501 is the new Pentium® M single board computer, based on the latest Intel® processor, Pentium® M and Intel® 855GME chipset. The Pentium® M series allow systems to be thin, light and with low power design. With innovative power management, it enables computer to run robust application with low power consumption. It is an excellent balance of performance and electrical expenditure. In addition, the new Pentium® M series also provide high speed networking availability, supporting dual LAN ports up to 1Gigabits with Intel® 82541GI chipset.

The Prox-F501 supports Intel® Pentium® M processor up to 1.8GHz with 400MHz front side bus, and two 184-pin 266/333MHz DDR SDRAM DIMM sockets capable of supporting 2GB of memory. With onboard Intel® 855GME chipset, the Prox-F501 provides multi display functions, including CRT, DVO, and LVDS LCD. Also with an additional socket for the Compact Flash™ bootable IDE-compatible flash memory module, the Prox-F501 ensures exceptional expansion capabilities. Other powerful functions of Prox-F501 are 2 COM ports, 4 high speed USB2.0 ports, AC '97 Codec, keyboard/mouse connectors, 2 EIDE (UDMA 33/66/100) interfaces, printer port, and etc.



PROTECH SYSTEMS

It's a right choice

No. 24, Lane 365, Yang Guang St., Nei Hu District, Taipei 114, Taiwan, R.O.C.

Tel: +886-2-8751-1111

Fax: +886-2-8751-1199

Email: sales@protech.com.tw

<http://www.protech.com.tw>

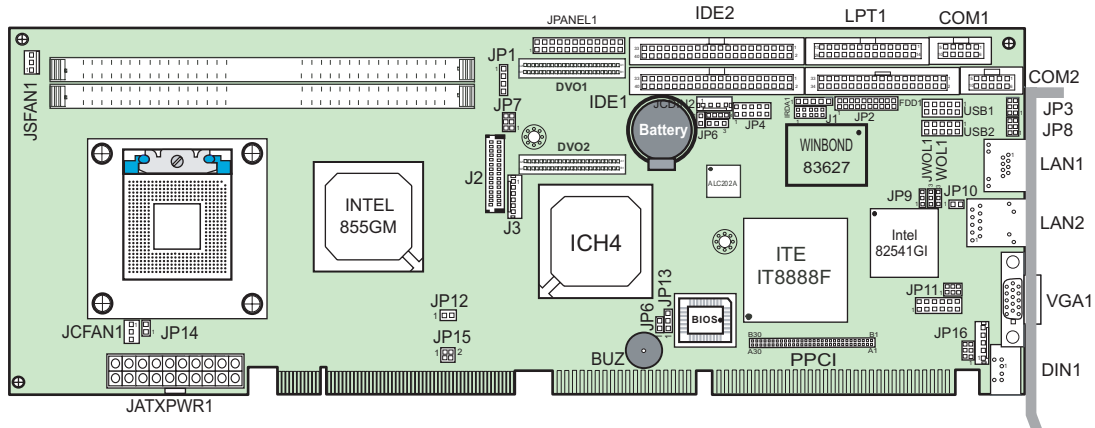
Intel®
Communications.

Alliance
Affiliate Member
BRONZE

ISO CERTIFIED
9001 14001

Prox-F501

Socket 478 Pentium® M CPU Card with VGA/Sound/2LAN



Specifications

CPU Type	Intel® Pentium® M CPU
CPU Voltage	Auto detect
CPU Frequency	1.3~1.8GHz & up reserved
Chipset	Intel® 855GME/GM Chipset with ICH4, FWH
DRAM	2 x 184-pin DDR DIMM up to 2GB
Cache	Built-in CPU
BIOS	Phoenix-Award PnP BIOS with VGA BIOS
I/O Chipset	Winbond W83627HF
IDE Interface	2 x EIDE (UDMA-100)
FDD Interface	1
Serial Port	2 x 16550 UART, COM2 for RS232/422/485
Parallel Port	1 x parallel (SPP/EPP/ECP)
Watchdog	0~255 sec. Watchdog Timer selectable w/ Reset/NMI
CMOS	Built-in ICH4
Keyboard	Mini DIN connector & external connector
Mouse	Mini DIN connector (selectable w/ keyboard/Y-cable)
Speaker	Internal buzzer
IrDA	1 x IrDA (SIR)
Sound	AC '97 Codec
LAN	Dual ports, support Wake-on-LAN LAN1: Intel®82562EM PHY, 10/100 Base-TX Ethernet, LAN2: Intel®82551QM or 82541GI, 10/100/1G LAN

VGA	Built-in Intel® 855GME, supports CRT, LVDS (18/24-bit), DVO and dual display
USB	4 x USB 2.0
SSD	1 x Compact Flash slot
Bus Interface	ISA/PCI (PICMG Spec), PPCI Bus optional for PPCI Daughter Board
Power Supply	Support AT/ATX power
Power Requirement	+5V, +12V, and -12V
Hardware Monitor	Voltage, CPU temp. & cooling fan
Green Function	Controlled by hardware & software
Mechanical and Environment	
Operation Temp.	0 °C ~ 60 °C , 32 °F ~ 140 °F
Storage Temp.	-40 °C ~ 85 °C , -40 °F ~ 185 °F
Humidity	20~90%
Vibration	2.5g acceleration over 5 to 2000Hz sine wave(p-p), 1 oct/min sine sweep
Shock	30g, 11 msec duration, half-sine shock pulse
Dimension	338.5mm x 122mm, 13.33" x 4.8"
Certificate: CE, FCC CLASS A	

ORDERING INFORMATION

- Prox-F501-P0201 with VGA/Sound/LAN1
- Prox-F501-P0204 with VGA/Sound/LAN1/LAN2: 1G LAN

PERFORMANCE & POWER CONSUMPTION

CPU Type	Business Winstone 2002	3Dmark 2001SE Build 330	CC Winstone 2001	Power Consumption +5V / +12V
Celeron® M 1.3GHz	28.8	2155	81.7	3.71A / 2.27A
Pentium® M 1.4GHz	32.4	2223	87.8	3.49A / 2.37A

All of trademarks and brand names are the property of their owners. Trademark "Protech" is the property of Protech Systems Co., Ltd. All information contained in this document is subject to change without any prior notice. This catalog is copyrighted in May 2004.