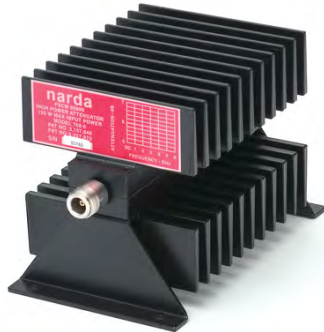


# Attenuators Fixed

Adapters **Attenuators** Couplers DC Blocks Detectors Isolators & Circulators Phase Shifters Power Dividers and Hybrids Terminations (50 Ohm Loads) Waveguide

## Type N (M/F) DC to 6 GHz, 150 Watt



### Features

- High Power (150 watts average)
- 3, 6, 10, 20, and 30 dB Versions
- Designed to Meet Environmental Requirements of MIL-A-3933

### Models

- 769A-3, 769A-6, 769A-10, 769A-20, 769A-30

Model	769A-3	769A-6	769A-10	769A-20	769A-30
Low Frequency (GHz)	DC	DC	DC	DC	DC
High Frequency (GHz)	6.0	6.0	6.0	6.0	6.0
Attenuation dB (Nominal)	3	6	10	20	30
Attenuation dB (Deviation DC-2)	+/-0.4	+/-0.4	+/-0.4	+/-0.5	+/-0.5
Attenuation dB (Deviation 2-6)	+/-0.75	+/-0.75	+/-0.75	+/-1.0	+/-1.0
Power Input (Max Avg.) in W	150	150	150	150	150
Power Input (Max Peak) in kW	3	3	3	3	3
VSWR (max) DC-6 GHz	1.35	1.35	1.35	1.35	1.35
Weight (max) in kg	1.5	1.5	1.5	1.5	1.5
Weight (max) in lbs	3.3	3.3	3.3	3.3	3.3
Special Notes:	A , B	A , B	A , B	A , B	A , B

#### Special Notes:

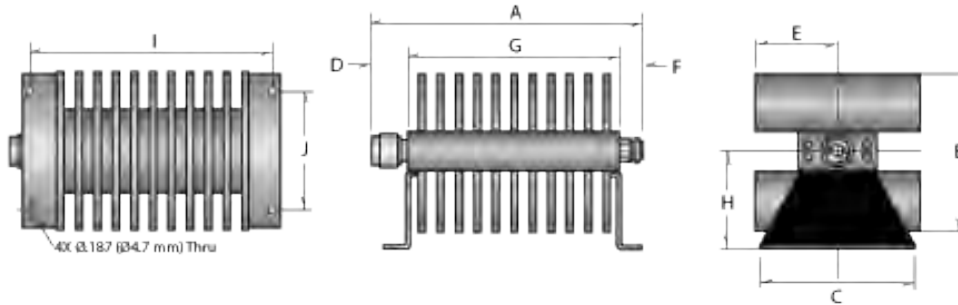
A: Power ratings for horizontal operation at +25°C derate linearly to 5 watts at 125°C.

B: Temperature Coefficient: 0.0006 dB/dB/°C; Power Coefficient: 0.0005 dB/dB/watt.

# Attenuators Fixed

Adapters **Attenuators** Couplers DC Blocks Detectors Isolators & Circulators Phase Shifters Power Dividers and Hybrids Terminations (50 Ohm Loads) Waveguide

## Type N (M/F) DC to 6 GHz, 150 Watt

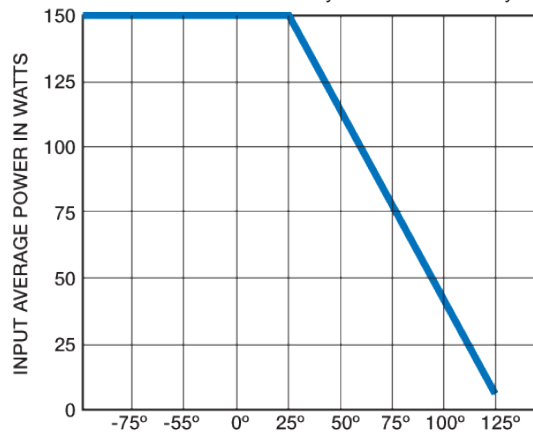


Outline Drawings For Models : 769A-3, 769A-6, 769A-10, 769A-20, 769A-30

Units	A	B	C	D	E	F	G	H	I	J
<b>769A-3 , 769A-6, 769A-10, 769A-20, 769A-30</b>										
in.	6.81	4.00	4.20	0.89	2.10	0.57	5.34	2.50	6.16	3.00
mm	172.97	101.60	106.68	22.61	53.34	14.48	135.64	63.50	156.46	76.20

**Notes:**

Unless otherwise specified dimensions are max. and for reference only. Contact the factory for detailed specifications and outline drawing.



AMBIENT TEMPERATURE °C

Derating Curve In Free Air  
Models 769A-3, 6, 10, 20, 30