

12" Black & White Monitor



**National
Electronics**

The M1200 12-inch black & white monitor is an excellent choice for all CCTV applications.

This remarkable unit is designed to perform in a broad range of situations.

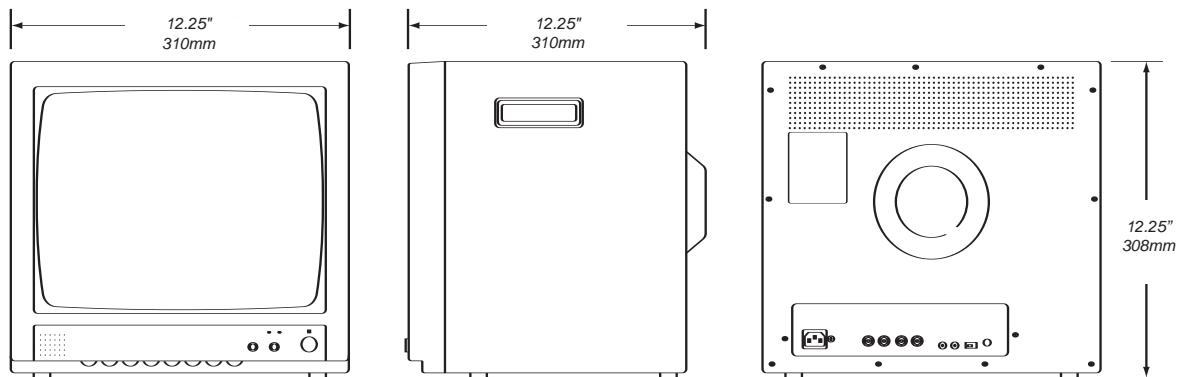
Even when used with a quad system or multiplexer, pictures remain clear and distinct.

Front panel controls and accessible rear set-up controls provide the ability to make all adjustments quickly and easily.

Features

- *1000+ lines resolution*
- *Front panel controls*
- *Implosion Protected CRT*
- *UL/CSA/FCC/CE Approvals*
- *Rack mount available*
- *One year parts and labor warranty*

Technical Specifications



Not actual product, for illustration purposes only.

PICTURE TUBE	12-inch diagonal, black & white, implosion protected
HORIZONTAL RESOLUTION	1000+ lines at center
BANDWIDTH	100Hz - 10MHz (3dB)
VIDEO GAIN	30dB
INPUT IMPEDANCE	75 Ohm or High Impedance (Switchable)
CONNECTOR TYPE	Two BNC connectors - Video in and Video Out
CONTROLS REAR PANEL	Power, Brightness, Contrast, Vertical / Horizontal Hold, Vertical Size, Vertical Linearity, Impedance Switch: 75ohm / High Z with loop-through
DIMENSIONS	12.25" (w) x 12.25" (h) x 12.125" (d) 310mm (w) x 310mm (h) x 308mm (d)
WEIGHT	23 lbs. 6oz / 10.5 kg
OPERATING TEMPERATURE	14° to 131° F / -10° to 55° C
POWER CONSUMPTION	30 watts
APPROVALS	UL / CSA / FCC / CE
INPUT VOLTAGE	110V AC / 60Hz

Ask About Our Complete Line of CCTV Products



www.nationalelec.com

© 2004 National Electronics
Printed 11/04 in USA

All specifications subject to change without notice. Information furnished is believed to be accurate and reliable. However, no responsibility or liability is assumed by its use, nor for any infringement of patents or other rights of third parties which may result from its use.