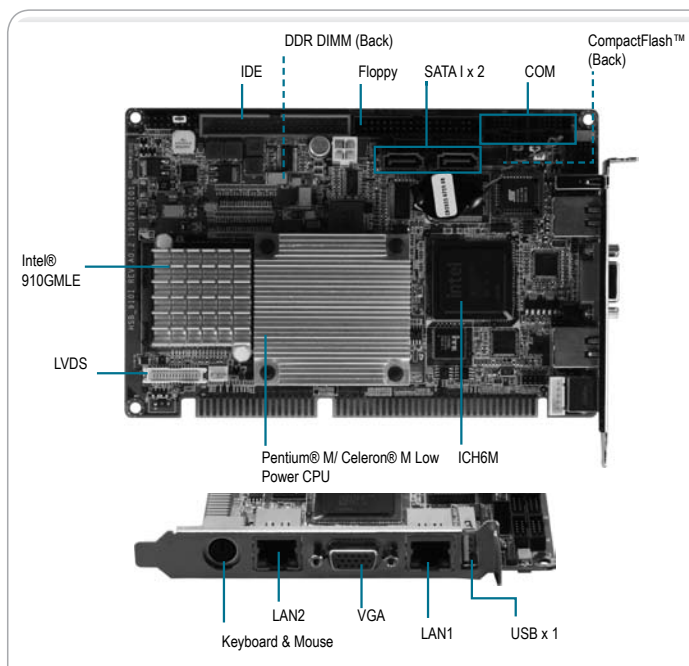


■ ISA Half-Size SBC With Intel® Celeron® M 600 MHz BGA Type Processor



Specifications

System	
Form Factor	ISA Half-Size SBC
Processor	Intel® Celeron® M 600 MHz BGA Type Processor
System Memory	200-pin DDRII 400 SODIMM x 2, up to 2 GB
Chipset	Intel® 910GML E + Intel® ICH6M
Ethernet	Gigabit Ethernet, RJ-45 x 2 or x 1 (Optional) LAN1: Intel® 82574L (10/100/1000Base-TX) LAN2: Intel® 82574L (10/100/1000Base-TX)
BIOS	Award Plug & Play SPI BIOS – 8 Mb ROM
Expansion Interface	ISA
Watchdog Timer	1~255 steps, can be set with software on Super I/O
RTC	Internal RTC
Battery	Lithium Battery
Power Requirement	AT +5V, +12V
Operating Temperature	32°F ~ 140°F (0°C ~ 60°C)
Board Size	7.3" x 4.8" (185mm x 121mm)
Gross Weight	0.71 lb (0.3 kg)
MTBF	70,000
Power Consumption (Typical)	18W, onboard Celeron® M 600 MHz/FSB 400 MHz
Display	
VGA Chipset	Enhanced Integrated Graphics
Memory	Shared memory up to 256 MB
Resolutions	1600 x 1200 @ 32bpp at 100 MHz for CRT 1024 x 768 @ 24bpp for LCD
I/O	
Storage	SATA I x 2, IDE x 1, CompactFlash™ Type II, Standard Floppy Connector x 1
Serial Port	Four COM ports: (Internal Pin Header x 4) COM 1, COM 3, COM 4: RS-232 COM 2: RS-232/422/485
Parallel Port	Supports SPP/ EPP/ ECP modes
Universal Serial Bus	USB2.0 x 5 5x2 pin-header x 2 Type A x 1
PS/2 Port	Keyboard x 1, Mouse x 1
Digital I/O	Supports 8-bit (Programmable)
IrDA	IrDA header x 1
Audio	AC97 Codec Audio Daughter Board Optional

Features

- Intel® Celeron® M 600 MHz BGA Type Processor
- Intel® 910GML E + Intel® ICH6M
- DDRII 400 SODIMM x 2, Up to 2 GB
- Gigabit Ethernet x 2 or x 1 (Optional)
- Integrated Intel® Enhance Graphics Core, VGA Support
- AC97 Codec Audio Daughter Board Optional
- Ultra ATA100 x 1, SATA I x 2, CompactFlash™ Type II x 1
- USB2.0 x 5, RS-232/422/485 x 1, RS-232 x 3, Parallel x 1, IrDA x 1, Digital I/O
- ISA Expansion
- +5V, +12V Operation, AT Power



Packing List

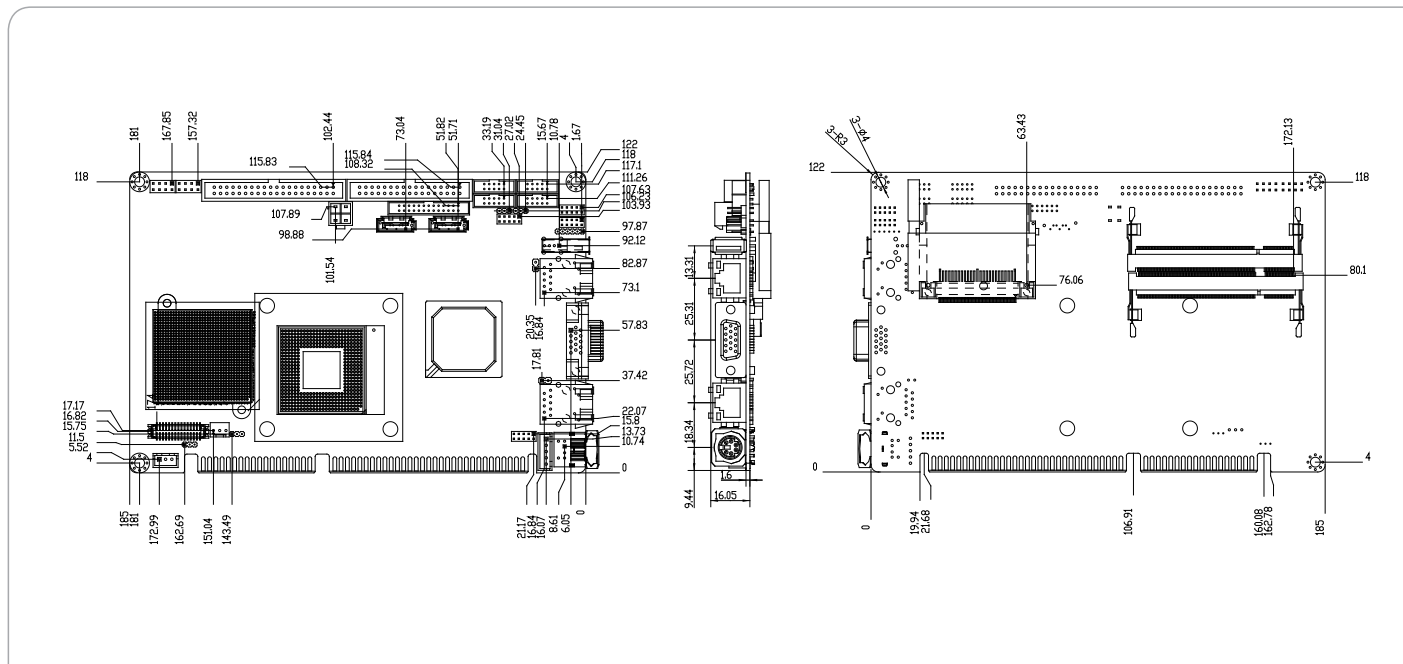
- **1701340704**
Flat Cable, 34P, 70cm, Gray for Floppy Disk Drive
- **1701400453**
Cable, 40P 2.54mm IDC w/Nose w/Fold, 40P 2.54mm IDC w/Nose w/Fold, 45cm, Blue ATA100
- **1700060192**
Cable, 6P-6P-6P, 19cm, Ivory PS2/KB & Mouse
- **1701260307**
Flat Cable, 9P/DB9P Male & 25P DB25P Female, 10P 2mm&26P 2mm/IDC No Fold, 30cm, w/Bracket, Catch A002-015
- **1701100305**
Flat Cable, 9P/DB9P Male, 10P/2.0mm Pitch/ IDC No Fold, 30cm, w/Bracket
- **1709100201**
USB Cable, 20cm 2.0mm, w/Bracket
- **1703030501**
Wire, 3P 2.5mm Housing, 3P 2.5mm Housing, 50cm
- **1709070800**
SATA Cable, 7P Pitch 1.27mm, 80cm, w/Lock
- **Quick Installation Guide**
- **Utility CD**
- **HSB-910I**

Ordering Information

- **TF-HSB-910I-A10-G2**
Half-Size ISA CPU card, Celeron® M 600 MHz, VGA, 2 Gigabit Ethernet, 5 USB, CompactFlash™, SATA, AT, Rev. A1.0

Dimension

Unit: mm



Passive Backplane Options

P/N	Description	Master Interface	Slots (PCI/ ISA/ PICMG_PCI)	Power ATX Extend Function
TF-BP-204SI	Wallmount, ISA, 4-slot Backplane, 4 ISA, Single Segment, AT	ISA	(0/4/0)	AT
TF-BP-206SI	Wallmount, ISA, 6-slot Backplane, 6 ISA, Single Segment, AT/ATX	ISA	(0/6/0)	AT/ATX
TF-BP-214SI	Rackmount, ISA, 14-slot Backplane, 14 ISA, Single Segment, AT	ISA	(0/14/0)	AT

Optional Accessories

- TF-PER-U00A
AC97 Audio Daughter Board