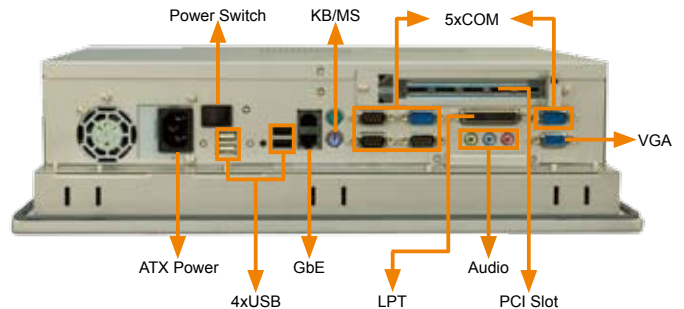


PPC-5150GS

Pentium® 4 / Celeron® D Panel PC with 15" TFT LCD and Touchscreen



- 1 Single Board Computer
- 2 VIDEO CARD
- 3 Xscale Solutions
- 4 Open HMI
- 5 VITO Universal Controller
- 6 DINO BLADE
- 7 LCD Product Series
- 8 Embedded System
- 9 Industrial Computer Chassis
- 10 Power Supply
- 11 Peripherals

Features

1. Most popular panel PC form factor
2. High performance Intel® Pentium® 4 / Celeron® CPU support
3. DDR memory DIMM support up to 2GB
4. POS-8520 Pentium® 4/ Celeron® D industrial main board
5. Easy installing and mechanism design
6. High brightness 15" industrial grade panel
7. Aluminum die-casting front panel meet IP65 standard



POS-8520

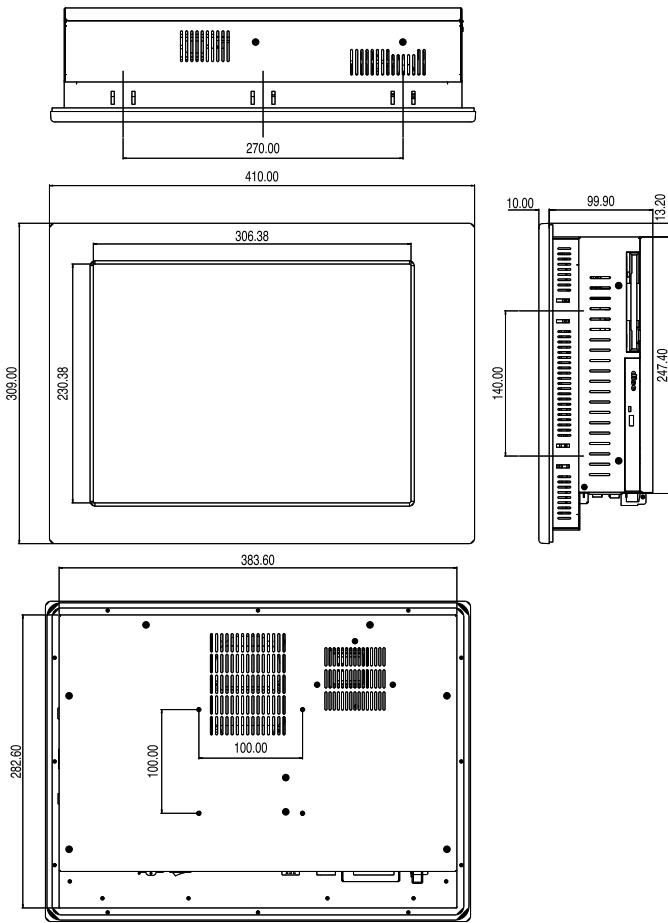
1. Intel® Socket 478 Pentium® 4 CPU support up to FSB 533MHz
2. CRT/LCD VGA integrated in Intel® 852GME
3. DDR 266/333MHz DIMM socket support up to 2GB



Specifications

CPU Board	POS-8520	Touch Screen	Optional 5-wire resistive type with RS-232 interface.
CPU	Socket-478 based Intel Pentium® 4 / Celeron® D up to FSB 533 MHz	LCD	- Resolution : 1024x768 (XGA) - Brightness : 350 cd/m² - Contrast Ratio : 400:1 - Viewing Angle (H-V): 120/100 - Backlight MTBF : 50000hrs
Chipset	Intel® 852GME + ICH5	Operating Temperature	0 °C ~ 50 °C.
Memory	2 x DDR 266/333 DIMM socket up to 2GB	Storage Temperature	-20 °C ~ 60 °C.
VGA	Intel® 852GME support dual display	Vibration	- 5~17Hz 0.1" double amplitude displacement - 17~640 Hz 1.5G acceleration peak to peak
SSD	CF Type II	Shock	10G acceleration peak to peak. (11ms)
Drive Bay	- 1 x 2.5" SATA/IDE HDD bay with Anti-shock or 2 x 2.5" SATA/IDE HDD bay without Anti-shock - 1 x Slim Type CD-ROM bay - 1 x Slim Type FDD bay	Relative Humidity	5 ~ 95% @ 60 °C, non-condensing
Ethernet	2 x Realtek RTL8110S Gigabit Ethernet controller	Net / Gross Weight	7/ 11 Kg
Audio	AC '97 2.3 Realtek ALC 655	Dimensions	410(W) x 309(H) x 110(D) mm.
I/O	- 1 x RS-232/422/485 port - 4 x RS-232 ports - 4 x USB 2.0 ports - 2 x PS/2 ports (KB/MS) - 1 x LPT - 1 x VGA out - 2 x LAN - 3 x Audio (Lin-in, Line-out, MIC-in) - 2 x IDE - 2 x SATA	Power Supply	ATX Power - 180W, ACE-4518AP-RS - Input: 90 ~ 240VAC @ 50/60Hz - Output (max.): 3.3V @ 16.8A, 5V @ 12A, 12V@10A, 12V@0.8A
Expansion Slot	- 1 x PCI slot	Front Panel Protection	IP 65 Compliant
		Certificate	Meets CE / FCC

Dimensions

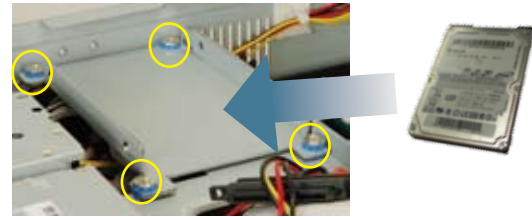


Packing List

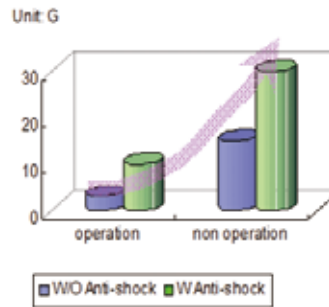
Part Number	Description	Amount
32000-000002-RS	Power Cord	1
19100-000037-RS	CPU COOLER	1
19B00-000013-RS	CD-ROM Installation Kit	1
WK-150MS-R10	Wall Mounting Kits	1
PK-150M	Panel Mounting Kits	1
32200-014506-RS	HDD IDE Cable(44 PIN + 2 x 40PIN)	1
32200-019201-RS	HDD IDE Cable(44 PIN + 40PIN)	1
32000-077000-RS	HDD SATA Cable	1
19B00-000013-RS	FDD Installation Kit	1
41011-0397C0-00-RS	HDD Bracket	1
33100-000079-RS	Jumper Pack	1
19600-000078-RS	Screw Kit	1
	User Manual & Driver CD	1
	Touch Screen Driver CD / Touch Pen (For T-R model only)	1

Anti-shock Protection

Anti-shock design enhances protection performance of hard drives dramatically in terms of shock and vibration tests.



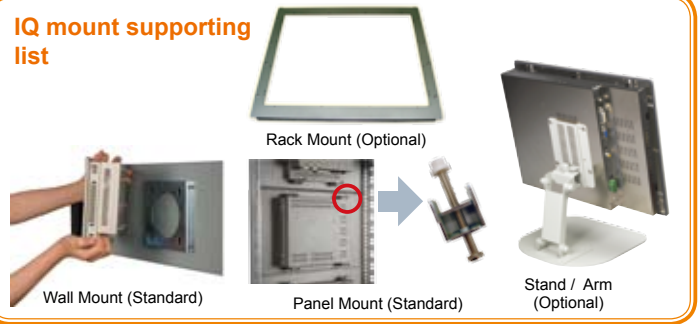
Shock Test



Vibration Test



IQ mount supporting list



Power Supply Options

Type	Model No.	Watt	Remark
ATX AC-input	ACE-4518AP-RS	180W	
ATX DC-input	ACE-4520C-RS	200W	24VDC input

Options

RK-150MS-R10	Rack mount kits
ARM-31-RS	LCD Monitor Arm
STAND-100-RS	LCD Monitor Stand

Ordering Information

PPC-5150GS/POS-8520	15" TFT Panel PC with POS-8522 and ACE-4518AP, Silver color, RoHS
PPC-5150GS/POS-8520/T-R	15" TFT Panel PC with POS-8522, ACE-4518AP and touch screen Silver color, RoHS
PPC-5150GS/8520/ACE-4520C	15" TFT Panel PC with POS-8522 and ACE-4520C (24VDC input), Silver color, RoHS
PPC-5150GS/8520/ACE-4520C/T-R	15" TFT Panel PC with POS-8522, ACE-4520C (24VDC input) and touch screen Silver color, RoHS