



**Sprint - ST12K7 - 031530 - No**  
(Family) (Model) (Part #) (In Stock)

## Electrical Specifications

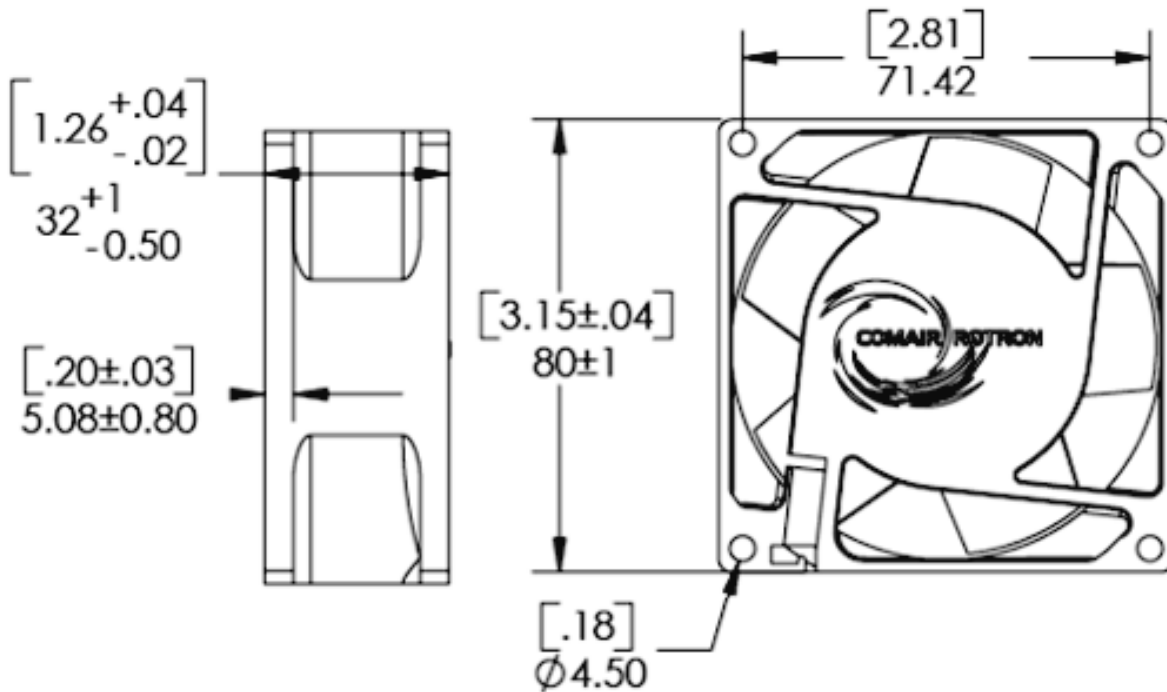
Operating Voltage:	12 Volts
Voltage Range:	6 - 14 Volts
Power Supply:	4.4 Watts
Line Current:	0.38 Amps
Locked Rotor Current	1.25 Amps
Nominal Speed:	4200 RPM

## Mechanical Specifications

Dimensions:	3.1 x 3.1 x 1.3 in
Weight	6.35 oz
Max Airflow @ 0 in H <sub>2</sub> O	40.0 CFM
Max Pressure @ 0 CFM	0.325 in H <sub>2</sub> O
Noise	44.2 dBA



## Mechanical Drawing





## Fan Performance Curve

## Fan Configuration Options

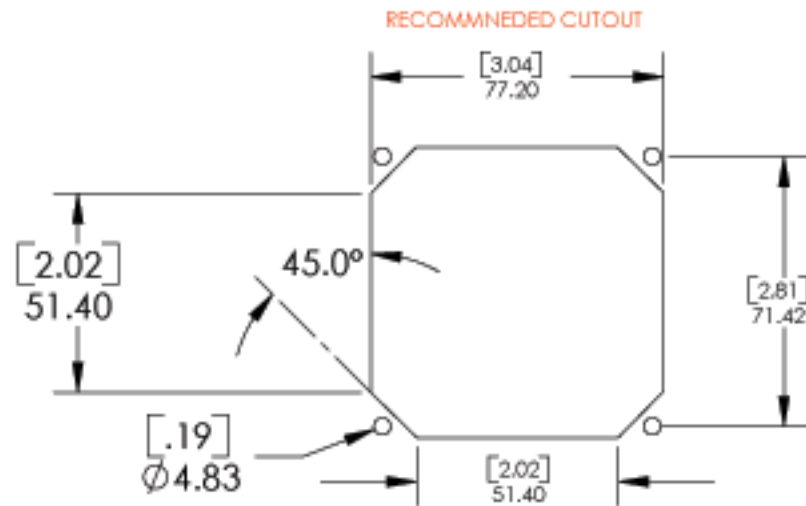
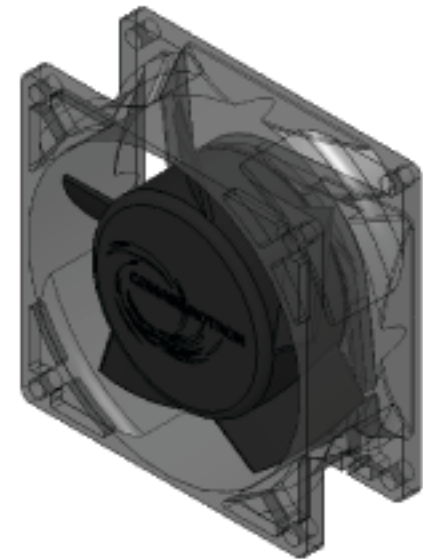
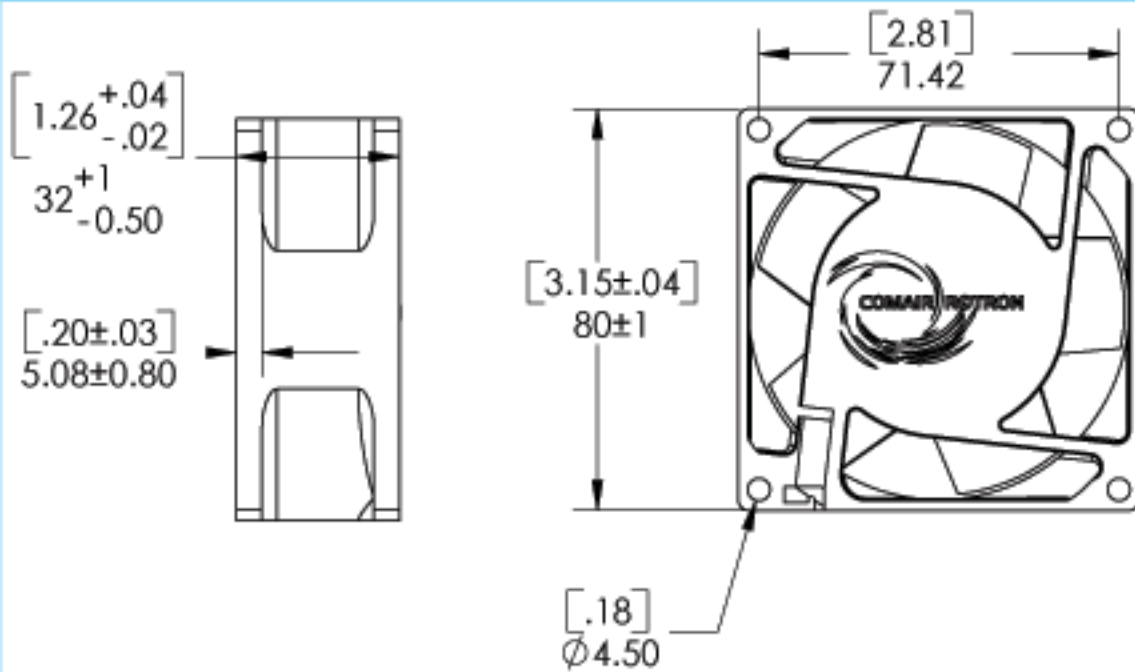
<b>Sprint</b> (Family)	<b>ST12K7</b> (Model)	<b>/ 031530</b> (Part #)	<b>No</b> (In Stock)	<b>305 mm [12 inch] Leads</b> (Features)
---------------------------	--------------------------	-----------------------------	-------------------------	---

<b>Fan Speed:</b>	<b>4200 RPM</b>	<b>Fan Bearings:</b>	<b>Ball Bearings</b>
<b>Fan Airflow Direction:</b>	<b>Flow R (CCW Rotation)</b>	<b>Fan Termination:</b>	<b>Leads</b>

<b>Fan Monitoring Options:</b>	<b>TTL (+5V) Tachometer Output</b>
--------------------------------	------------------------------------

<b>Fan Speed Control Option:</b>	<b>No ThermaPro-V Fan Speed Control Options Selected</b>
----------------------------------	--

<b>Environmental Protection Options:</b>	<b>No Enviroshield Options Selected</b>
--	---



CONTACT INFO: <a href="http://WWW.COMAIRROTRON.COM">WWW.COMAIRROTRON.COM</a>			
TOLERANCE UNLESS OTHERWISE SPECIFIED 2 PL. DEC + 0.1 8 3 PL. DEC + 0.1 25 MILL LIT + 30	AMERICAN PROJECTION FIRST ANGLE	3D MODEL FOUND AT...	
<b>SPRINT</b>			