



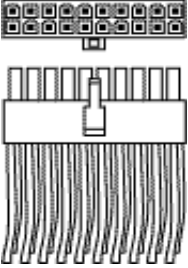




**AL-A400 ATX 12V 400W Switching Power Supply**

Auxiliary	ATX 12V P4	Peripheral	Floppy																																												
 <table border="1"> <thead> <tr> <th>Pin</th> <th>Signals</th> </tr> </thead> <tbody> <tr><td>1</td><td>COM(Black)</td></tr> <tr><td>2</td><td>COM(Black)</td></tr> <tr><td>3</td><td>COM(Black)</td></tr> <tr><td>4</td><td>+3.3V(Orange)</td></tr> <tr><td>5</td><td>+3.3V(Orange)</td></tr> <tr><td>6</td><td>+5V(Red)</td></tr> </tbody> </table>	Pin	Signals	1	COM(Black)	2	COM(Black)	3	COM(Black)	4	+3.3V(Orange)	5	+3.3V(Orange)	6	+5V(Red)	 <table border="1"> <thead> <tr> <th>Pin</th> <th>Signals</th> </tr> </thead> <tbody> <tr><td>1</td><td>COM (Black)</td></tr> <tr><td>2</td><td>COM (Black)</td></tr> <tr><td>3</td><td>+12V (Yellow)</td></tr> <tr><td>4</td><td>+12V (Yellow)</td></tr> </tbody> </table>	Pin	Signals	1	COM (Black)	2	COM (Black)	3	+12V (Yellow)	4	+12V (Yellow)	 <table border="1"> <thead> <tr> <th>Pin</th> <th>Signals</th> </tr> </thead> <tbody> <tr><td>1</td><td>+12V(Yellow)</td></tr> <tr><td>2</td><td>COM (Black)</td></tr> <tr><td>3</td><td>COM (Black)</td></tr> <tr><td>4</td><td>+5V (Red)</td></tr> </tbody> </table>	Pin	Signals	1	+12V(Yellow)	2	COM (Black)	3	COM (Black)	4	+5V (Red)	 <table border="1"> <thead> <tr> <th>Pin</th> <th>Signals</th> </tr> </thead> <tbody> <tr><td>1</td><td>+5V (Red)</td></tr> <tr><td>2</td><td>COM (Black)</td></tr> <tr><td>3</td><td>COM (Black)</td></tr> <tr><td>4</td><td>+12V(Yellow)</td></tr> </tbody> </table>	Pin	Signals	1	+5V (Red)	2	COM (Black)	3	COM (Black)	4	+12V(Yellow)
Pin	Signals																																														
1	COM(Black)																																														
2	COM(Black)																																														
3	COM(Black)																																														
4	+3.3V(Orange)																																														
5	+3.3V(Orange)																																														
6	+5V(Red)																																														
Pin	Signals																																														
1	COM (Black)																																														
2	COM (Black)																																														
3	+12V (Yellow)																																														
4	+12V (Yellow)																																														
Pin	Signals																																														
1	+12V(Yellow)																																														
2	COM (Black)																																														
3	COM (Black)																																														
4	+5V (Red)																																														
Pin	Signals																																														
1	+5V (Red)																																														
2	COM (Black)																																														
3	COM (Black)																																														
4	+12V(Yellow)																																														

**20 Pin ATX**

	1	+3.3V (Orange)	11	+3.3V (Orange)
	2	+3.3V (Orange)	12	-12V (Blue)
	3	COM (Black)	13	COM (Black)
	4	+5V (Red)	14	PS-ON (Green)
	5	COM (Black)	15	COM (Black)
	6	+5V (Red)	16	COM (Black)
	7	COM (Black)	17	COM (Black)
	8	PG (Grey)	18	-5V (White)
	9	+5V SB (Purple)	19	+5V (Red)
	10	+12V (Yellow)	20	+5V (Red)

Leads:	1 20-Pin ATX, 1 Auxiliary, 1 ATX 12V-P4, 8 x Peripheral, 2 Floppy
Dimensions:	140L x 150W x 86H mm (5.5"x5.9"x3.4")
Environmental:	Operate 0 to 50°C; Storage -40 and 70°C
Safety:	UL, CSA, TUV, NEMKO, DEMKO, SEMKO, FI, CE certification
MTBF:	50,000 hours
Efficiency:	65% minimum, 75% typical, at full load
AC Input:	Select 90-132VAC or 180-264VAC, 47-63 Hz
Input Protection	Internally located AC line fuse
Max Load Current	+5V@40A, +3.3V@28A, +12V@15A, -5V@0.3A, -12V@0.8A, +5VSB@2A
Combined Power	+3.3V & +5V 220W Plus+12V 380W, -12V 9.6W, -5V 1.5W,
Overvoltage Protection	+3.3V, +5V, +12V
Short Circuit Protection	All outputs
Max Ripple	+3.3V & +5V 50 mVpp, +12V & -12V 50 mVpp, -5V & +5VSB 50 mVpp
Line Tolerance	+3.3V +/-1%, +5V +/-1%, +/-12V +/-1%, -5V +/-2%, +5VSB +/-1%
Warranty	One year warranty on all parts and labor