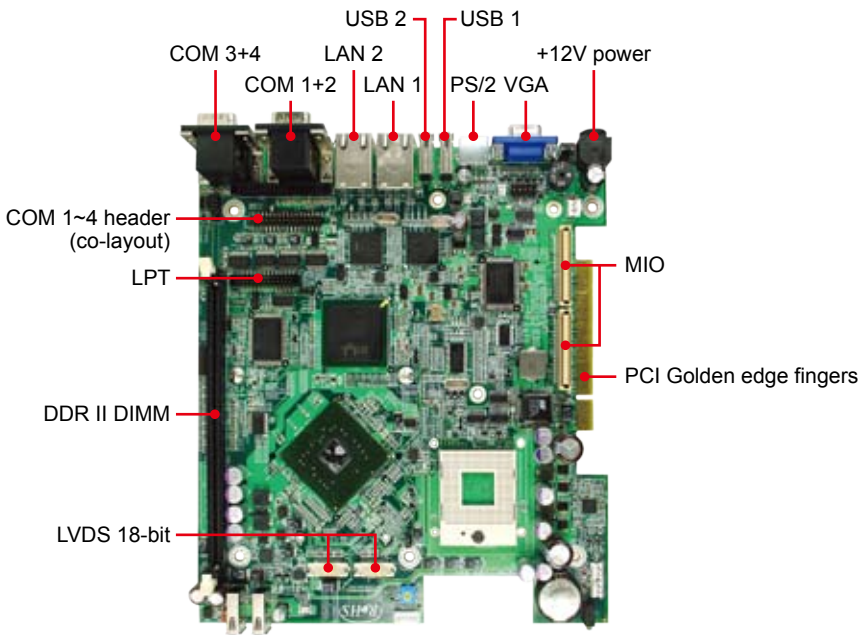


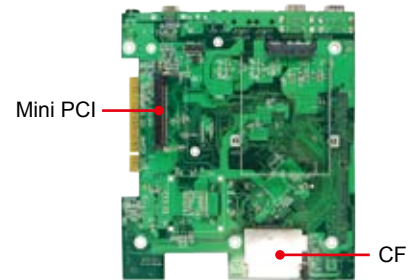
EM-7705 NEW

Intel® Core™ 2 Duo Embedded SBC with LVDS, 4 USB, 4 COM, PCI, Mini PCI, SSD & MIO Expansion



Features:

- Intel Core™ 2 Duo processors with 533/667MHz FSB
- Supports one DDR II DIMM up to 2GB memory
- Supports two GbE PCI-E x 1 Ethernet
- Supports 4 x USB, 4 x serial ports, 1 x parallel, 1 x SATA, 1 x VGA, 1 x LVDS
- Supports MIO module expansion



System

CPU	Intel® Socket 479 Core™ 2 Duo processors with 533/667MHz FSB
BIOS	Award® 512KB Flash BIOS
System Chipset	Intel® 945GME+ICH7R
System Memory	1 x 240-pin DIMM socket supports DDR II 533/667 max. up to 2GB w/o ECC
Power Management	APM 1.2, ACPI supported
SSD	50-pin CompactFlash™ type II (DMA mode CompactFlash™)
Watchdog Timer	255 levels timer interval, (1 ~ 255 seconds), setup by software. Jumper set up for system reset or IRQ
Expansion Interface	1 x PCI golden edge fingers 1 x Mini PCI slot 1 x MIO expansion connector
Battery	Lithium 3V/200mAh

I/O

I/O Chipset	Winbond® 83627HG
I/O Interface	1 x SATA connector, 1 x PS/2 KB/Mouse, 3 x RS-232, 1 x RS-232/422/485(COM 2), 1 x parallel
USB	4 x USB ports, USB 2.0 compliant
GPIO	8 x digital input & 8 x digital output

Ethernet

Chipset	Intel® 82573L
Speed	10/100/1000Mbps
Interface	2 x RJ-45
Standard	IEEE 802.3u (10/100/1000Base-T) protocol compatible

Display

Chipset	Built-in 945GME chipset supports dual independent displays
Memory Size	1/4/8/16/32/64MB
Resolution	CRT display mode: up to 2048 x 1536 LCD display mode: up to 1600 x 1200
LCD/ LVDS Interface	LVDS
Dual Simultaneous Display	Dual independent display supports CRT and LVDS

Mechanical and Environment

Dimension (L x W)	222mm (L) x 195mm (W) (8.7" L x 7.7" W)
Operating Temperature	0°C ~ 60°C (32°F ~ 140°F)
Operating Humidity	10% ~ 95% relative humidity, non-condensing

Power

Power Supply Voltage	Single +12V DC in
-----------------------------	-------------------

Packing List

- 1 x EM-7705 SBC
- 1 x CD (Manual, Quick installation guide, Utility driver)

Ordering Information

Standard	
EM-7705A	Embedded SBC with Intel® Core™ 2 Duo ,LVDS, 4 USB, 4 COM, PCI, Mini PCI, SSD & MIO expansion

Optional

R-077A	Riser card with one PCI slot
R-093A	MIO module with DVI, S-Video, 24-bit LVDS, Mic in, Speaker out
46L-ILPT01-00	Printer cable

* Note : All specifications are subject to change without prior notice

COM Express Module | ETX CPU Module | 3.5 inch Embedded Board | 5.25 inch Embedded Board | Industrial Motherboard | PC/104 CPU Module | Fanless Embedded Box Computer | Accessories