

Features

- Intel® 2nd Generation Core™ i5/ i3 Processor
- Intel® Core™ H61
- Dual-Channel DDR3 1333/1066 MHz SODIMM x 2, Up to 16GB
- Gigabit Ethernet x 2
- Intel® Integrated Graphics Engine Supports Independent Display By VGA, DVI, HDMI, LVDS
- HD 5.1CH Audio
- SATA 3.0Gb/s x 2, CF-SATA x 1
- USB2.0 x 8 , COM x 6
- PCI-Express[x4] x 1, Mini Card x 1, TPM Module (Optional)



Specifications

System	
Form Factor	Mini-ITX
Processor	Intel® 2nd Generation Core™ i5/ i3 Processor Supports Intel® 32 nm CPU up to 35W Supports Intel® Turbo Boost Technology 2.0 *The Intel® Turbo Boost Technology 2.0 support depends on the CPU types
System Memory	Dual-Channel DDR3 1066/1333 MHz SODIMM x 2, Max. 16GB
Chipset	Intel® Core™ H61
I/O Chipset	ITE IT81866D
Ethernet	Realtek RTL8111E 10/100/1000Base-TX, RJ-45 x 2
BIOS	AMI BIOS, SPI type, 64Mb ROM
Wake On LAN	Yes
Watchdog Timer	System reset : 1~255 steps programmable
TPM	Infineon SLB9635 (Optional)
H/W Status Monitoring	Supports system temperature, voltage, and cooling fan status monitoring
Expansion Interface	PCI-Express[x4] x 1, Full size Mini PCIe socket with one SIM Slot x 1
Power Requirement	4-pin ATX 12V Power connector x 1
Power Consumption (Typical)	Intel® Core™ i5-2390T, DDR3 1333 8GB 3.9A@12V
Board Size	6.7"(L) x 6.7"(W)(170mm x 170mm)
Gross Weight	1.1 lb (0.5 Kg)
Operation Temperature	32 °F ~ 140 °F (0 °C ~ 60 °C)
Storage Temperature	-4 °F ~ 158 °F (-20 °C ~ 8-70 °C)
Operation Humidity	0% ~ 90% relative humidity, non-condensing
MTBF	—
Display	
Chipset	Intel® Core™ H61 integrated
Memory	Shared memory up to 1748 MB
Resolutions	1920 x 1200 @ 60 Hz for HDMI or LVDS 2048 x 1530 @ 75 Hz for CRT
LCD Interface	24-bit Dual channel LVDS x 1
Video Interface	HDMI, RGB Port
I/O	
Storage	SATA 3.0Gb/s x 2, CF-SATA x 1
Serial Port	RS-232 x 5 (pin box header) RS-232/422/485 x 1 supports 5/12V on the 9th (on I/O)
USB	USB2.0 x 8 (pin header x 4, Dock USB x 4)
Digital I/O	8-bit programmable (4-in / 4-out)
PS/2 Port	KB/MS PS/2 combo Port x 1 (integrated with Dock USB)
Audio	Line-in, Mic-in, Line-out

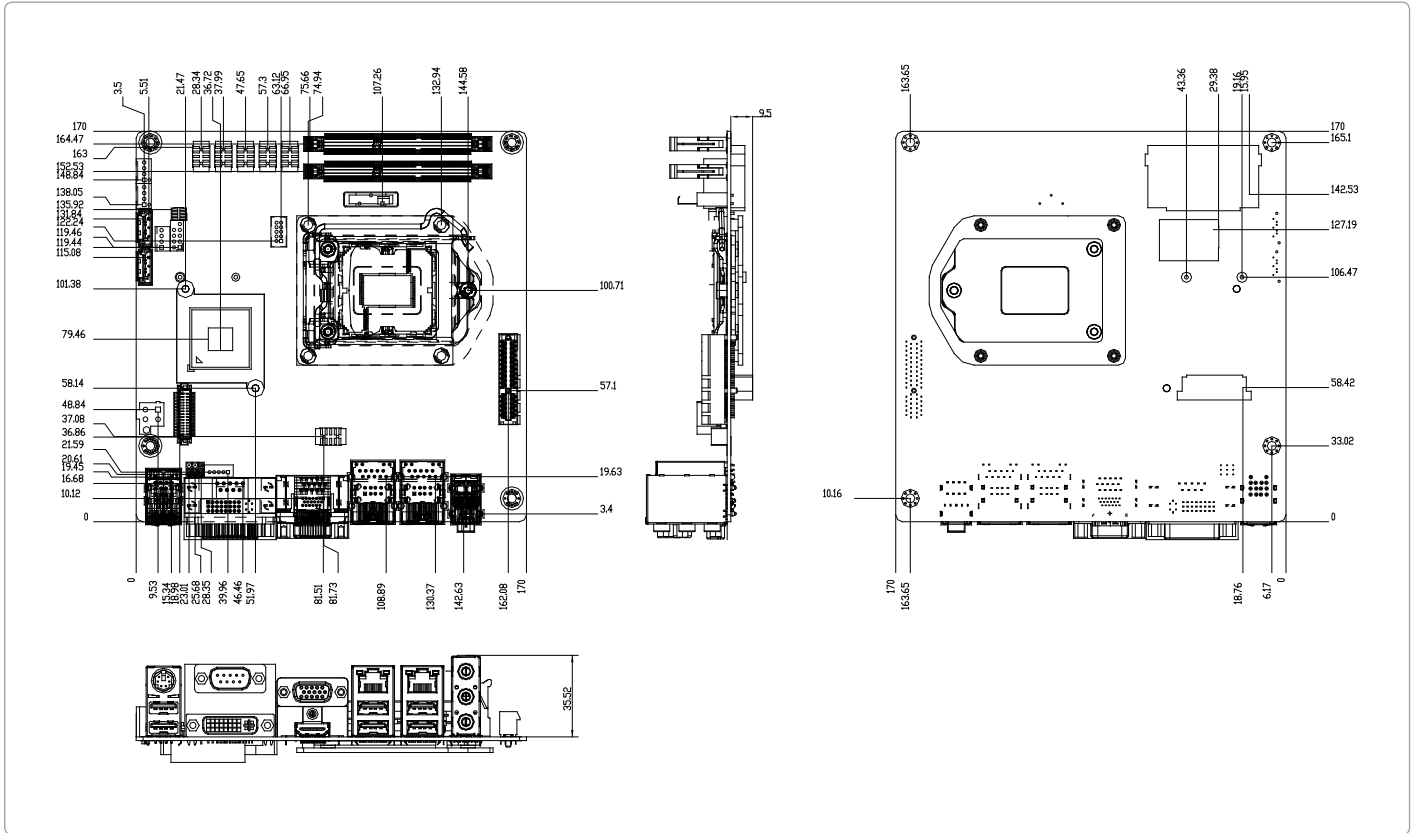
Packing List

- SATA Cable
- SATA Power Cable
- I/O Shield
- Product CD
- EMB-H61A

EMB-H61A

Dimension

Unit: mm



Ordering Information

Part Number	CPU	RAM	Fan/Fanless	Display	Storage	LVDS	LAN	USB	RS-232	RS-232/422/485	Expansion Slot	Power	Temp.
EMB-H61A-A10	Socket	SODIMM	Fan	VGA/DVI-D/LVDS/HDMI	SATA2 x 2	24-bit Dual-channel	GbE x 2	8	5	1	CF-SATA x 1, PCI-E[x4] x 1	+12V/DC	0°C ~ 60°C

Optional Accessories

- **17592H61A0**

Cooler Fan

- **14D4250003**

Intel® Core™ i3-2100T CPU

- **14D4270001**

Intel® Core™ i5-2390T CPU