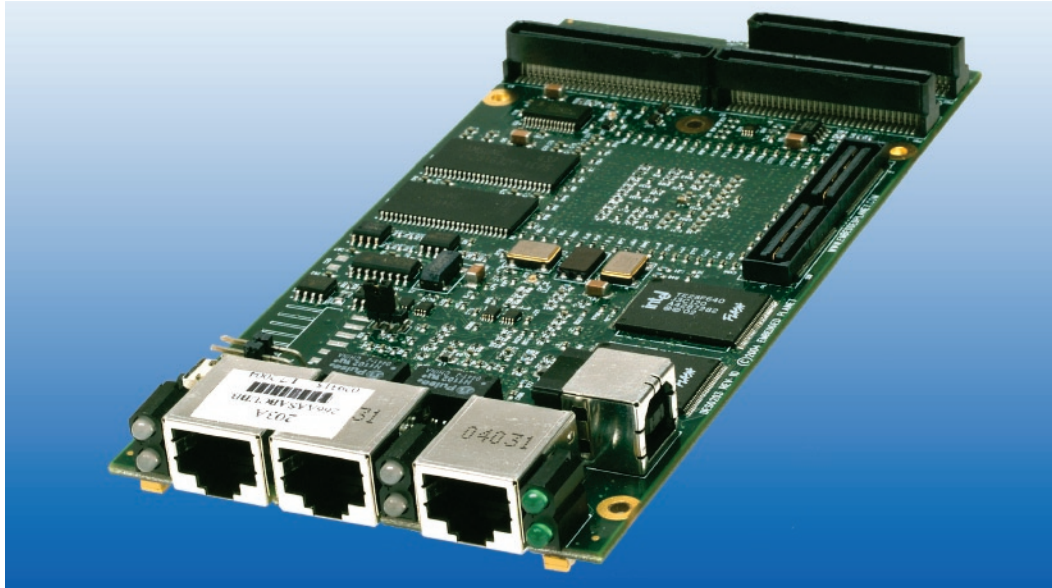


## Embedded Planet EP425M



### Features:

- Intel XScale IXP425 processor
- Can operate as PPMC or Stand Alone module
- PPMC monarch or non-monarch
- PT4MC; PICMG 2.15 Configuration 4
- SDRAM 64, 128, 256MB
- FLASH 16, 32, 64MB
- NVRAM 256, 512k
- EPX425 Bus for direct access to processor signals
- Two 10/100BaseT Ethernet
- 32-bit, 33/66MHz PCI bus
- USB device
- Two RS-232 ports
- Debug JTAG
- Serial EEPROM I2C
- Serial temperature I2C
- Serial RTC I2C
- Dipswitch 4-position slide switch
- BCSR Control and Status Registers
- 5.25 to 3.3 VDC single power supply
- Mechanical 149mm x 74mm
- Operating Range 0° C to 70° C, Extended Temperature Range -40° C to 85° C available

### Flexible Single Board Computer

The EP425M PPMC/Stand Alone single board computers take advantage of the Intel XScale IXP425 processors. By integrating all of the features of the XScale into a production ready embedded development system, the EP425M reduces Time-To-Market and increases product reliability for Communications, Military/Aerospace, Medical, and Industrial applications. The EP425M single board computers include the EPX425 bus that provides direct access to IXP425 processor signals for additional I/O expansion.

### Product Options

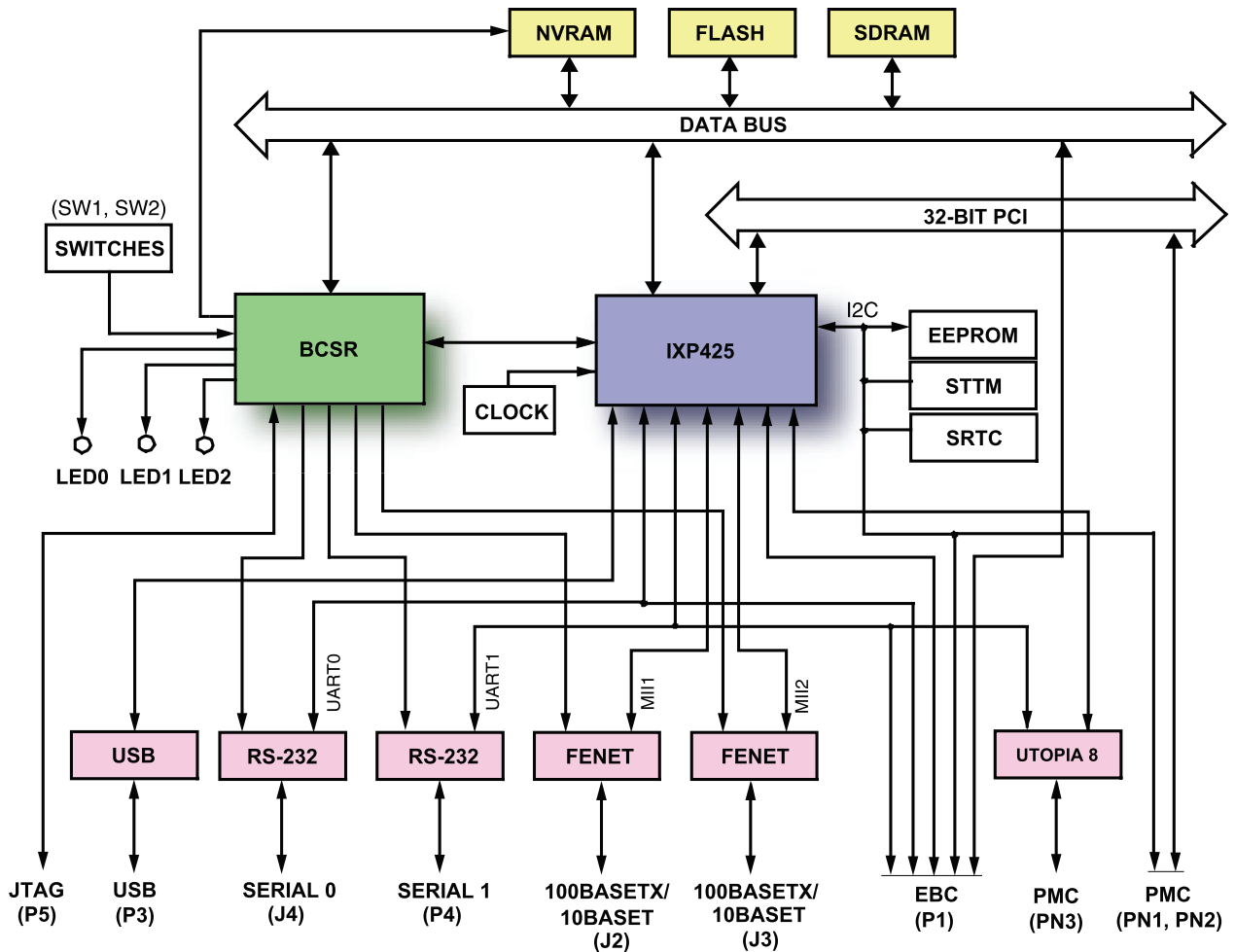
Single Board Computer includes a cable kit, power supply, and CD with complete documentation. Board Development Kit includes processor bus breakout debug boards, PDF schematics, and support. Design Kits are available with schematic and firmware source. Embedded Planet provides customization and integration services. Production board population options can be configured to match customer requirements.

**design.**  
The next generation of connected devices.

**develop.**  
Your products based on our platform.

**deploy.**  
Your solution faster.

## Block Diagram



## Software Development Tools

Linux and VxWorks BSPs are available from Embedded Planet. The BSP development CDs come complete with documentation, source code, pre-compiled images, build files and tools.

INTEGRITY BSP is available from Green Hills Software. Other RTOS options are also available.

Embedded Planet PlanetCore firmware is provided with each module and includes a Bootloader, Flash Burner, and Diagnostics. Download and run applications via Ethernet or serial, test board hardware, and burn images to Flash.

Complete line of low level and application level TCP/IP stack and protocols code is available.

This material is the copyright of Embedded Planet 1997-2004. Embedded Planet is a registered Trademark. Other company and product names may be trademarks of their respective owners.

Contact Embedded Planet sales:  
[www.embeddedplanet.com](http://www.embeddedplanet.com) or  
 email [info@embeddedplanet.com](mailto:info@embeddedplanet.com)  
 phone (216) 245-4180