

21" Color Monitor



**National
Electronics**

The NL221FS is a high performance color monitor that is ideal for video and CCTV applications.

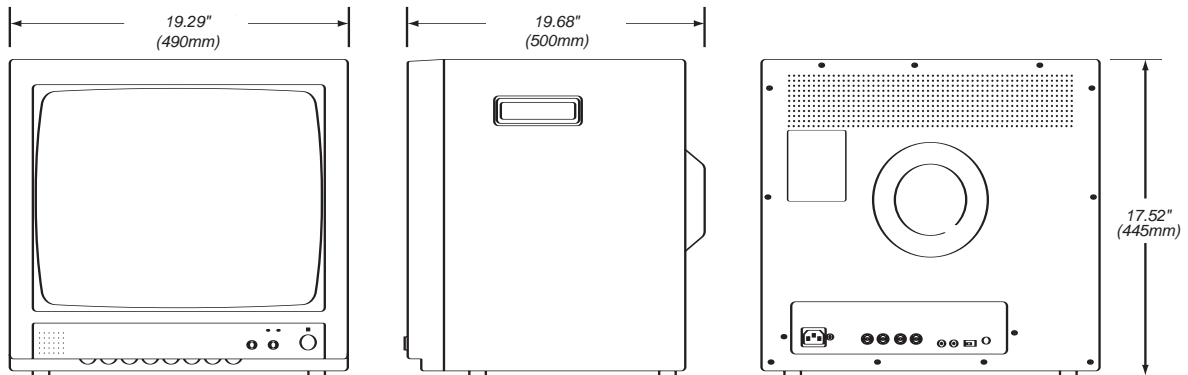
With over 500 lines of resolution, the monitor displays multiple cameras (2x2, 3x3 etc.) in great detail.

Convenient front panel controls and an attractive design make this monitor a smart choice.

Features

- 520 TV lines of resolution
- Three looping video inputs - A,B,Y/C
- Universal NTSC/PAL operation
- OSD for easy control
- Metal cabinet with convenient handles
- Two looping audio channels
- 7 Languages
- Sequence of A,B and Y/C from 1-5 seconds
- 2 year limited warranty

Technical Specifications



- CONSTRUCTION** Steel cabinet with Plastic front panel
- FINISH** Black or white matte Texture coat finish
- N.W. / G.W. (KG)** 56.2/58.4
- DIMENSION (DxWxH)** 19.68" x 19.29" x 17.52"
- POWER ON/OFF** Latching Push Switch
- COLOR / CONTRAST** On screen display
- BRIGHTNESS** On screen display
- TINT(NTSC ONLY)** On screen display
- VOLUME** On screen display
- INPUT VOLTAGE** 96~256 V AC 50Hz/60Hz
- POWER CONSUMPTION** 75W
- INPUT SIGNAL** Composite 1.0 Vp-p
- INPUT IMPEDANCE** 75 ohms or high(auto)
- BAND WIDTH** 6Mhz
- VIDEO GAIN** 30dB 520
- RESOLUTION** 520
- LINERITY** (h)10% Max
(v)10% Max
- NTSC** 525 lines, 60 fields/ sec.
- PAL** 625 lines, 50 fields/ sec.
- Y/C (In/Out) - 4 PIN DIN** . 4 pin DIN connect x 2
- VIDEO (In/Out)** BNC x 4
- AUDIO (In/OUTPUT)** RCA jack x 4
- AUDIO INPUT SIGNAL** 10~150mVp-p
- AUDIO AMPLIFIER** 1W / 8 ohm
- OPERATION TEMPERATURE** . 50° ~ 130°F
- HUMIDITY** 0% to 90% (non-condensing)

Ask About Our Complete Line of CCTV Products



www.nationalelec.com

All specifications subject to change without notice. Information furnished is believed to be accurate and reliable. However, no responsibility or liability is assumed by its use, nor for any infringement of patents or other rights of third parties which may result from its use.