



15 Watt Interchangeable Plug Series PSA15R Wall Plug Adapter MEETS CEC and EISA Requirements



Features

- Limited Power Source
- Class B EMI
- EISA Compliant
- Class II Double Insulated
- High Efficiency

Applications

- Wireless Communications
- Peripherals
- Portable Equipment
- PDA

Safety Approvals

- cUL/UL
- TUV
- SAA
- CE
- C-Tick

Mechanical Characteristics

- Length: 71.7mm (2.82in)
- Width: 50mm (1.91in)
- Height: 33.2mm (1.31in)
- Weight: 145g (5.12oz)

Output Specifications

Model	DC Output Voltage	Load		Ripple ⁽¹⁾ P-P (max.)	Regulation Line & Load	Efficiency Level
		Min.	Max.			
PSA15R-050P	5V	0A	3.0A	50mV	±5%	IV
PSA15R-060P ⁽²⁾	6V	0A	2.5A	60mV	±5%	IV
PSA15R-075P ⁽²⁾	7.5V	0A	2.14A	75mV	±5%	IV
PSA15R-090P	9V	0A	1.66A	90mV	±5%	IV
PSA15R-120P	12V	0A	1.25A	120mV	±5%	IV
PSA15R-150P	15V	0A	1.0A	150mV	±5%	IV
PSA15R-240P	24V	0A	0.62A	240mV	±5%	IV
PSA15R-480P	48V	0A	0.31A	480mV	±5%	IV

(1) Measured after 30 minutes with by-pass capacitors 0.1uF/10uF at output connector terminal and oscilloscope set at 20MHz.

(2) Special order item. Minimum order quantity required. Please consult Phihong USA Sales.

Phihong is not responsible for any error, and reserves the right to make changes without notice. Please visit our website at www.phihong.com for the most up-to-date specifications and contact information.

Input:

AC Input Voltage Rating
100 to 240V AC

AC Input Voltage Range
90 to 264V AC

AC Input Frequency
47 to 63Hz

Input Current
0.5A (RMS) maximum at 120V AC
0.25A (RMS) maximum at 240V AC

Leakage Current
0.25mA maximum at all line conditions

Inrush Current
<30A for 120V AC at maximum load
<60A for 240V AC at maximum load
(cold start at ambient 25°C)

Input Power Saving
0.5W maximum at no load

Output:
Efficiency
≥74.4% average efficiency

Hold-up Time
10mS minimum at 120V Ac and maximum load

Environmental:

Temperature
Operation 0 to +40°C
Non-operation -25 to +75°C
Humidity 20 to 90%

Emissions
FCC Class B
EN55022 Class B

Immunity
IEC61000-4-2
IEC61000-4-3
IEC61000-4-4
IEC61000-4-5
IEC61000-4-6
IEC61000-4-8
IEC61000-4-11
EN61000-3-2

Over-Voltage Protection
120%, Zener Clamping

Over-Current Protection
Output equipped with short circuit protection – auto restart

Short-Circuit Protection
Output can be shorted without damage

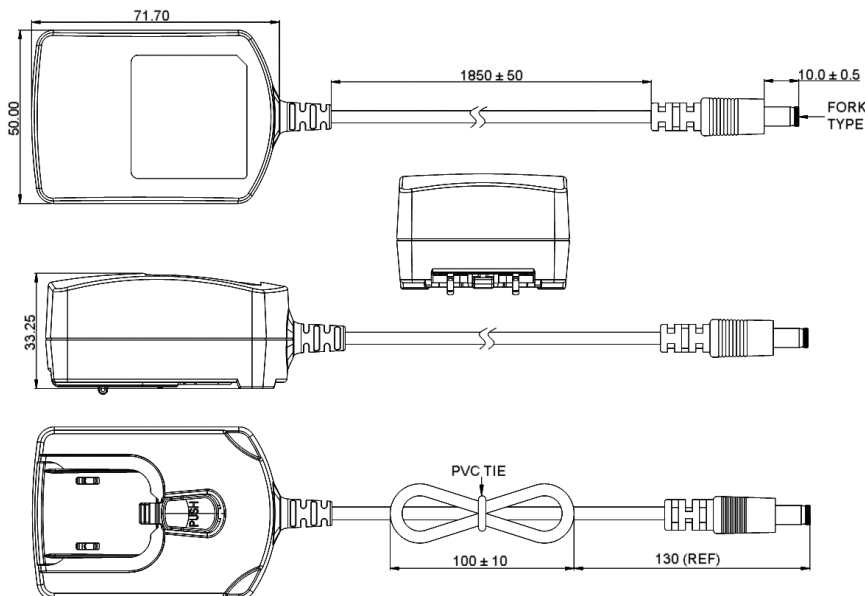
Dielectric Withstand (Hi-pot) Test
Primary to Secondary: 3000V AC for 1 min., 10mA

DC Output Connector
2.1 x 5.5mm Center Positive Barrel

Mating Connector
Kycon KLD0202-A or equivalent

AC Input Clips (sold separately)
RPA: US RPI: India
RPB: Brazil RPK: UK
RPC: China RPN: Argentina
RPE: Europe RPS: Australia
RPH: Korea RPS: IEC320 C8

Dimension Diagram Unit: mm (inch)



Mouser Electronics

Authorized Distributor

Click to View Pricing, Inventory, Delivery & Lifecycle Information:

[Phihong:](#)

[PSA15R-120](#) [PSA15R-050](#) [PSA15R-480](#) [PSA15R-150P-R](#) [PSA15R-240P-R](#) [PSA15R-090P-R](#) [PSA15R-480PE-R](#)
[PSA15R-060P-R](#) [PSA15R-075P-R](#) [PSA15R-050P-R](#) [PSA15R-480P-R](#) [PSA15R-120P-R](#)