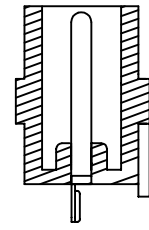
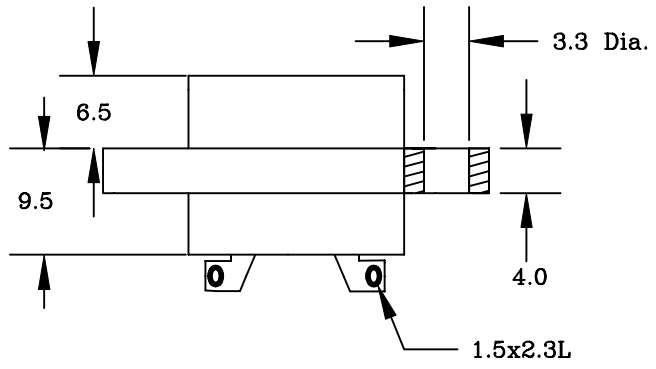
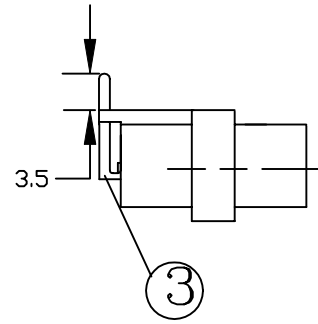
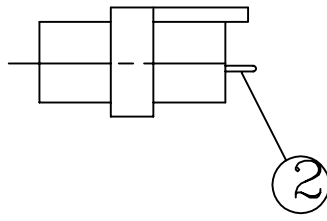
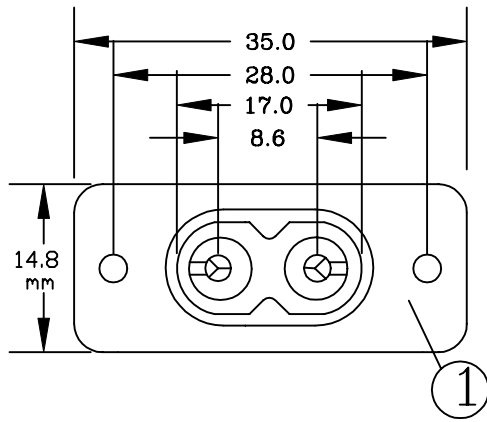


Revision			
Rev.	Description	Date	Approved



Material:

Housing: Thermoplastic

Terminal: Copper Alloy

Characteristics:

Rating: 2.5A 250V AC

Insulation Resistance: Over 100 OHM 500VDC

Dielectric Strength: 2000V AC One Minute

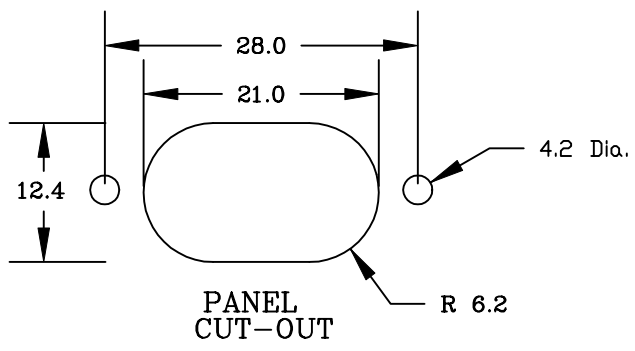
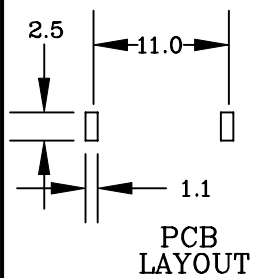
Approvals:

UL, CSA, VDE, SEMKO,

DEMKO, NEMKO, & SETI.

Units : mm

P/N	ITEM REQ.	TERMINAL DIFFERENCE	CODE
770W-00/01	1+2	1.5X2.3L/SOLDER TABS	-S
770W-00/02	1+3	PCB MOUNTING	-P



Dim range (mm)	Tolerance +/- (mm)	Qualtek Electronics Corp. PPC DIVISION		
		Part Number: 770W		
0-1	0.15	Description: SCREW MOUNT C8 INLET		
1-6	0.20			
6-18	0.30	Drawn/Date S.Tsai 03-02-01		
18-50	0.50			
50-120	0.70	Checked/Date 03-02-01		
120-250	0.90			
250-500	1.20	Approved/Date JHH/03-02-01		