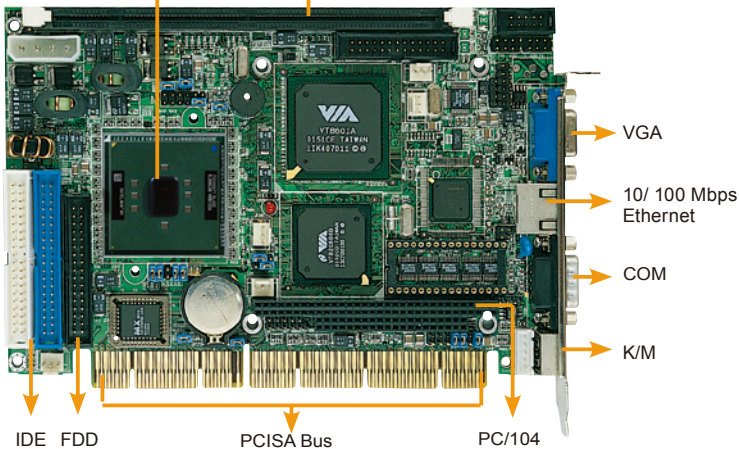


PCISA-C400R-RS

PCISA ULV Intel® Celeron® 400 MHz CPU card, with VGA, Realtek LAN & AUDIO

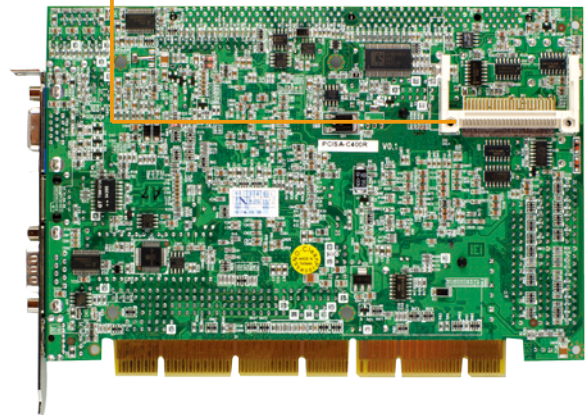
ULV Intel®
Celeron® D 400 MHz

1x PC100/133 DIMM socket
support up to 512MB



CFII

solder side



Feature

1. Embedded ULV Intel® Celeron® 400 MHz
2. VIA 8601 integrated graphic engine
3. PC133 SDRAM memory support up to 512MB
4. LAN, USB, Audio integrated

Specification

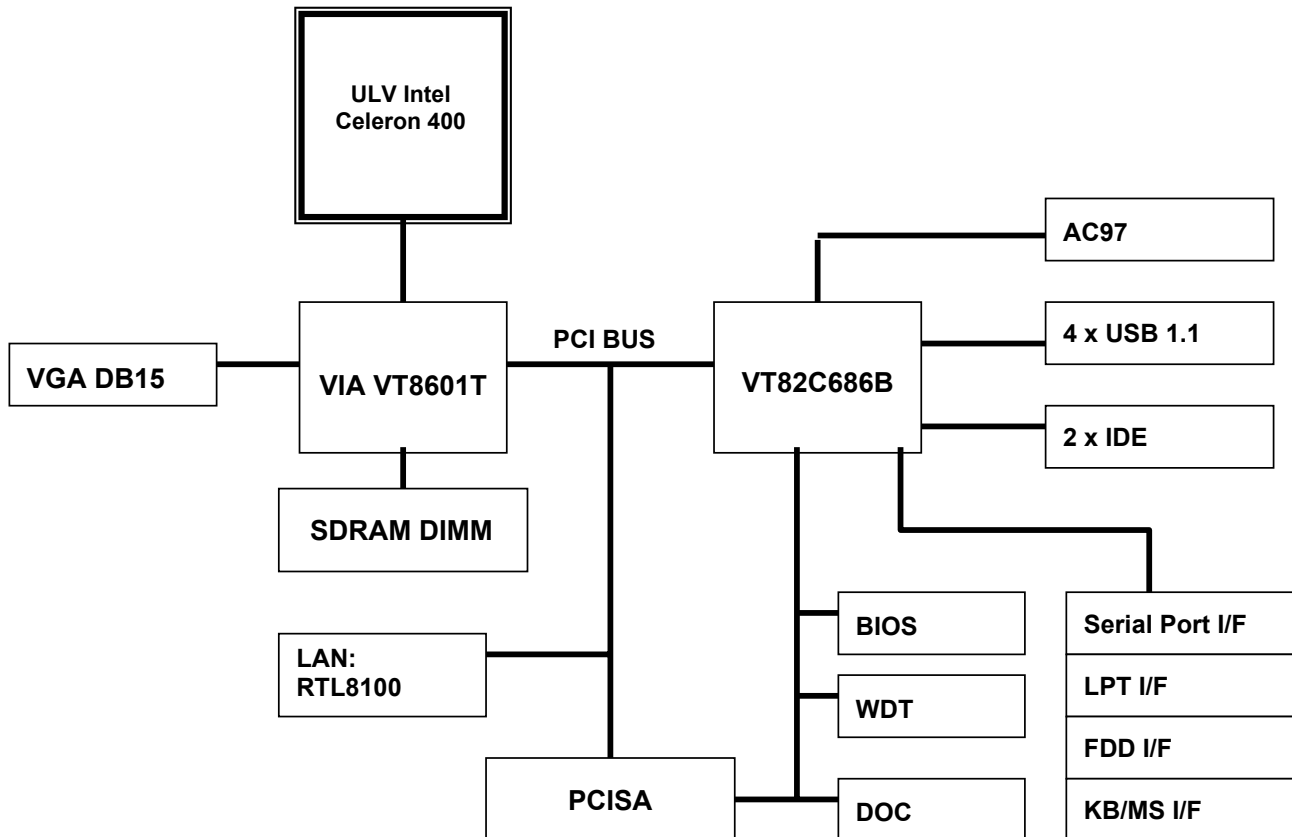


- ◆ **CPU**
ULV Intel® Celeron® 400 MHz
- ◆ **System Chipset**
VIA VT8601A + VT82C686B
- ◆ **BIOS**
AMI BIOS Label
- ◆ **System Memory**
- Support for PC100/133, Maximum up to 512MB
- 1 x PC100/133 DIMM socket support up to 512MB
- ◆ **Ethernet**
RTL8100B for 10/100Mbps
- ◆ **I/O**
I/O Interface
4 x USB 1.1
1 x LPT
1 x FDD
2 x IDE
1 x CFII
1 x DOC
1x RS232
1x RS232/ 422/ 485
1 x PS/2 keyboard/mouse
- ◆ **Digital I/O**
4 input / 4 output
- ◆ **Super I/O**
VT82C686B
- ◆ **Audio**
VT 1612A
- ◆ **Display**
CRT integrated in VIA VT8601A
- ◆ **Watchdog Timer**
Software programmable supports 1~255 sec. system reset
- ◆ **Power Supply**
5V/12V, AT/ATX support
- ◆ **Power Consumption**
5VSB@0.18A, 5V@2.6A, 12V@0.17A,(ULV Intel® Celeron® 400 MHz, PC133/ 512 MB RAM)
- ◆ **Temperature**
operation: 0 ~ 60° C (32 ~ 140° F)
- ◆ **Humidity**
operation: 5% ~ 95% non-condensing
- ◆ **Dimension**
165mm x 115 mm
- ◆ **Weight**
GW: 1.0Kg

RoHS Compliance

IEI is committed to compliance with all applicable laws and regulations, including the European Union Restriction of Hazardous Substances (RoHS) in electrical and electronic products. The goal is to exceed compliance obligations by meeting the requirements of the RoHS Directive on a worldwide basis. With IEI 's new lead free production, all customers can start to work for their long term projects without worry about the RoHS regulation.

Function Block



Packing List

1x PCISA-C400R-RS single board computer	1 x Audio cable (P/N: 19800-000020-RS)
1 x Mini jumper pack	1 x Keyboard/ PS2 mouse cable (P/N: 32000-000138-RS)
1x ATA66/100 HDD cable (P/N: 32200-000052-RS)	1x FDD cable (P/N:32000-000017-RS)
1x RS232 cable (P/N: 19800-000050-RS)	1 x Utility CD
1x RS422/ 485 cable (P/N: 19800-000017-RS)	1 x QIG

Ordering Information

Part No.	Description
PCISA-C400R-RS-R20	Half-Size SBC ULV Intel® Celeron® 400 MHz CPU board, with VGA, LAN, USB & AUDIO



Headquarters

IEI Technology Corp.

TEL : +886-2-86916798 FAX : +886-2-66160028
 sales@ieiworld.com www.ieiworld.com
 No. 29, Jhongsing Rd., Sijhih City, Taipei County, 221, Taiwan

America-United States

IEI Technology USA Corp.

TEL : +1-562-690-6677 FAX : +1-562-690-0898
 sales@usa.ieiworld.com www.usa.ieiworld.com
 515 N. Puente St., Brea, CA 92821

China

Armorlink SH Corp.

TEL : +86-021-54429000 FAX : +86-021-54429100
 sales@ieiworld.com.cn www.ieiworld.com.cn
 No.515, Shenfu Road, Minhang District, Shanghai, China